

Dell™ Latitude™ C/Dock II Expansion Station

# System Information Guide

系統信息指南

系統資訊指南

システム情報ガイド

시스템 정보 설명서

ຕູ້ມື້ວນໍ້ອຸມຸລຂອງຮະບບຕອມພົວຕວຣ໌



Model PDX



[www.dell.com](http://www.dell.com) | [support.dell.com](http://support.dell.com)



Dell™ Latitude™ C/Dock II Expansion Station

# System Information Guide



# Notes, Notices, and Cautions



**NOTE:** A NOTE indicates important information that helps you make better use of your computer.



**NOTICE:** A NOTICE indicates either potential damage to hardware or loss of data and tells you how to avoid the problem.



**CAUTION:** A CAUTION indicates a potential for property damage, personal injury, or death.

---

Information in this document is subject to change without notice.  
© 2001 Dell Computer Corporation. All rights reserved.

Reproduction in any manner whatsoever without the written permission of Dell Computer Corporation is strictly forbidden.

Trademarks used in this text: *Dell*, the *DELL* logo, *Latitude*, and *DellWare* are trademarks of Dell Computer Corporation; *3Com* is a trademark of 3Com Corporation; *Microsoft*, *Windows*, and *Windows NT* are registered trademarks of Microsoft Corporation.

Other trademarks and trade names may be used in this document to refer to either the entities claiming the marks and names or their products. Dell Computer Corporation disclaims any proprietary interest in trademarks and trade names other than its own.

This product incorporates copyright protection technology that is protected by method claims of certain U.S. patents and other intellectual property rights owned by Macrovision Corporation and other rights owners. Use of this copyright protection technology must be authorized by Macrovision Corporation, and is intended for home and other limited viewing uses only unless otherwise authorized by Macrovision Corporation. Reverse engineering or disassembly is prohibited.

**October 2001 P/N 4G279 Rev. A01**

# System Information Guide

This document contains getting started, safety, regulatory, and warranty information about your Dell Latitude C/Dock II Expansion Station as well as information about other Dell documents that are available and how to obtain them.

## Other Documents Available

- Documentation updates, which are sometimes included with your docking device to describe changes to your docking device or software. Always read these updates *before* consulting any other documentation because the updates often contain the latest information.
- Documentation included with any options you purchase separately from your docking device. This documentation includes information that you need to configure and install these options in your docking device.

## Getting Help

Dell provides a number of tools to help you if your docking device does not perform as expected. For information on these help tools, see the “Getting Help” section in the computer’s *User’s Guide*.

## Docking Device Overview

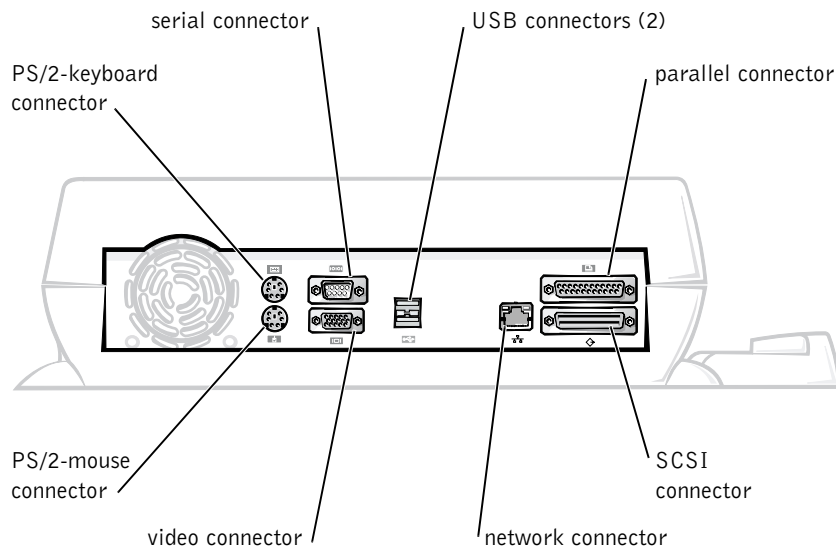


**NOTE:** Alert your network administrator before you connect the docking device to a network.

You must attach an AC adapter to the docking device before you dock the computer to the docking device and turn on the computer. The AC adapter powers the docking device and the computer at the same time. Any battery installed in the computer charges while you use the docking device.









**NOTICE:** Always use the Dell PA-6 AC adapter that came with the docking device. If you use any other commercially available AC adapter—or the AC adapter from older models of Dell computers—you may damage the docking device or the computer.

### I/O Panel of the Docking Device

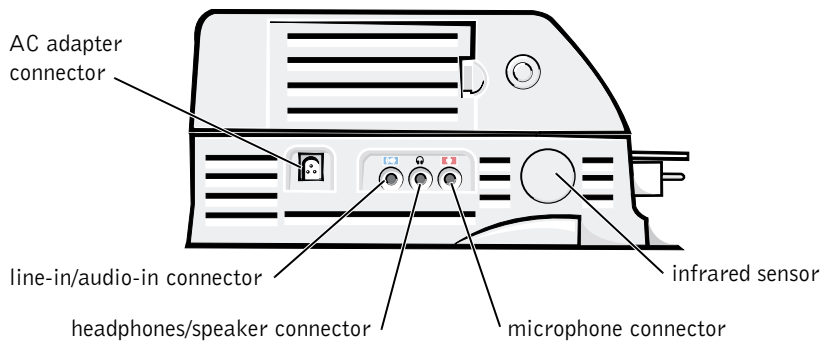


The “External I/O Connectors” table shows the icons for each of the connectors on the back of the docking device and indicates the type of external device(s) that you can attach to each connector.

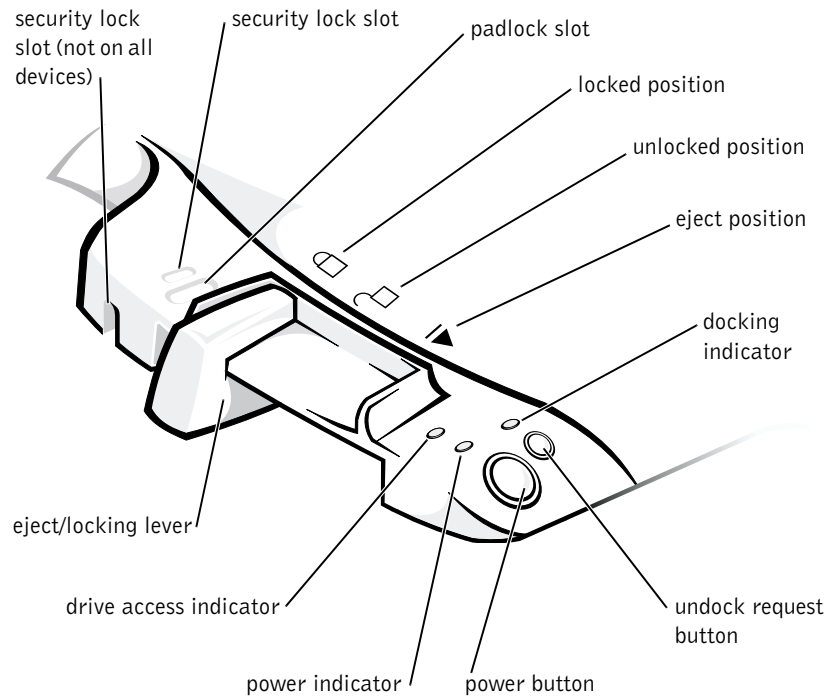
## External I/O Connectors

Connector Icon	Connector Description
	One or two USB devices, such as a USB mouse, connect to the dual USB connector.
	An external PS/2-style keyboard or external numeric keypad connects to the PS/2 keyboard connector.
	An external PS/2-compatible mouse connects to the PS/2 mouse connector.
	A serial device, such as a serial mouse or external modem, connects to the serial port connector.
	A network interface cable connects to the NIC connector.
	A parallel device, such as a printer, connects to the parallel port connector.
	An external monitor connects to the video connector.
	The AC adapter that came with the docking device connects to the AC adapter connector.

## Audio Connectors and Infrared Sensor



## Docking Control Base Controls and Indicators



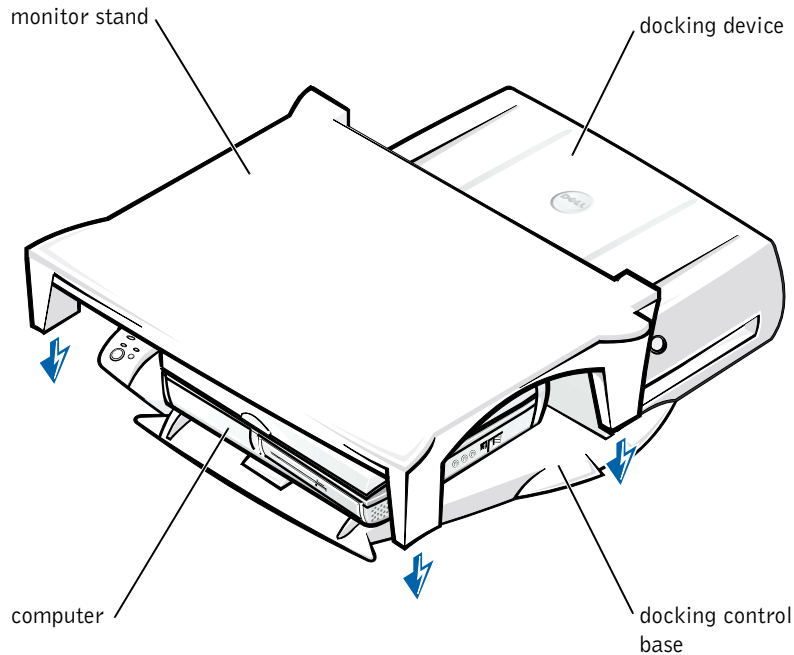
## Monitor Stand



**NOTICE:** The stand supports monitors that weigh up to 45.3 kilograms (kg) (100 pounds [lb]). Heavier monitors may damage the stand, computer, and docking device.




## Docking Device With the Monitor Stand



**NOTE:** Be sure that the back legs on the monitor stand engage the slots on either side of the docking control base.

## Before Docking the Computer

If your computer is running the Microsoft® Windows® 9x, Windows NT®, or Windows Millennium (Me) operating system, you must first check your computer for existing docking drivers. If your computer does not have the docking drivers, install them before you dock the computer for the first time. To install the docking drivers, perform the steps in “Installing the Docking Drivers.”

 **NOTE:** If your computer is running the Windows XP or Windows 2000 operating system, the drivers are installed automatically and you do not need to perform the steps in “Installing the Docking Drivers.” Go to “Docking Your Computer.”

## Check Your Computer for Existing Docking Drivers

- 1 Double-click **My Computer**.
- 2 Double-click **Control Panel**.
- 3 Double-click **Add/Remove Programs**.
- 4 Locate the correct docking drivers from the list of programs.

*For Windows 9x and Windows Me*, check for the driver with **Quick Install** in the name. For example: Dell Dock **Quick Install** for Windows.

*For Windows NT*, check for **NT Softex Docking Services**.

If your computer does not have the docking drivers, go to the next section, “Installing the Docking Drivers.” If your computer has the docking drivers, go to “Docking Your Computer.”

## Installing the Docking Drivers

You can install your docking drivers in one of the following ways:

- Install the drivers from the *ResourceCD* or *Drivers and Utilities CD* that came with your computer or docking device.
- Download the drivers from the Dell support website.

### Installing the Docking Drivers From the *ResourceCD* or *Drivers and Utilities CD*

- 1 Insert the *ResourceCD* or *Drivers and Utilities CD* into the CD drive.

In most cases, the CD should start running automatically. If it does not, start Windows Explorer, click your CD drive directory to display the CD contents, and then double-click the **autorcd** application file. If a welcome screen appears, click **Next**. The first time that you run the CD, it might prompt you to install some setup files. Click **OK** and follow the instructions on the screen to continue.

- 2 From the **Language** pull-down menu on the toolbar, select your preferred language for the driver (if available).

A welcome screen appears.

- 3 Click **Next**.

- 4 Under **Search Criteria**, select the appropriate categories from the **System Model** and **Operating System** pull-down menus.

*If your system is running Windows 9x or Windows Me, select System Utilities from the **Device Type** pull-down menu, and then select **Drivers** from the **Topic** pull-down menu.*

*If your system is running Windows NT, select System Utilities from the **Device Type** pull-down menu, and then select **Utilities** from the **Topic** pull-down menu.*

A link or links appear(s) for the specific drivers or utilities used by your computer.

- 5 *If your system is running Windows 9x or Windows Me, click the link for the **Dell Dock QuickInstall** utility.*

The **Dell Dock QuickInstall** file is a utility that installs the required docking drivers on your computer.

*If your computer is running Windows NT, click the link for **Softex Docking Services**.*

- 6 Click the **Install** button to start the automatic installation. At the welcome screen, follow the screen prompts to complete the installation.



**NOTE:** Some ResourceCDs may require users to navigate through folders to obtain the correct driver. For complete instructions on reinstalling drivers, see your *User's Guide*.

## **Installing the Docking Drivers From the Dell Support Website**

- 1 Go to the Dell support website at <http://support.dell.com>. If you are visiting the website for the first time, specify your country by clicking the map that appears.

The **Welcome to support.dell.com** page opens.

- 2 Enter your docking device information, and then click **Go!**

Click **Downloads For Your Dell**.

The **Downloads For Your Dell** window appears, including a short form for you to fill out.

- 3 Enter your system service tag number, or select your Dell system.
- 4 Select your operating system and operating system language.
- 5 Select **System and Configuration Utilities** as your download category.
- 6 Click **Go!**.
- 7 *If your computer is running Windows 9x or Windows Me, locate and click the link for the **Dell Dock QuickInstall** utility.*

*If your computer is running Windows NT, locate and click the link for **Softex Docking Services**.*


- 8 Follow the instructions on the screen to download and install the required drivers.


After you download the files and before you install the drivers, make sure to view the **readme.txt** file that is included in the downloaded files for important information about the installation.

## Docking Your Computer

If you attach a monitor to the docking device and turn the monitor on, the screen image appears on the monitor. To switch the image to the computer display, or to both the monitor and the computer display, press <Fn><F8>.

When you dock the computer to the docking device and turn the computer on, the green power light on the docking control base lights up (see “Docking Control Base Controls and Indicators”).

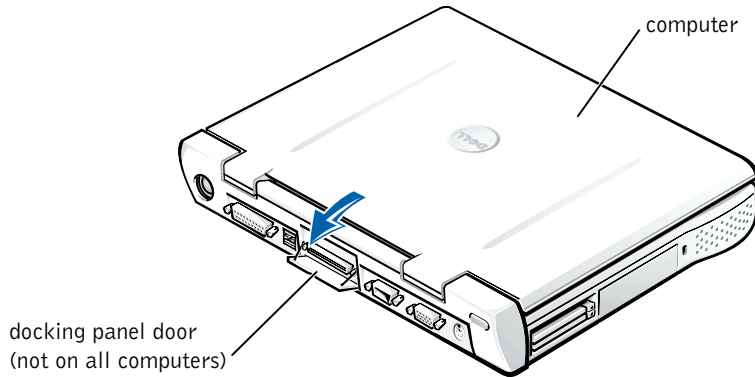
 **NOTICE:** To avoid losing data, save any open files before you dock the computer.

 **NOTICE:** If a Peripheral Component Interconnect (PCI) video card is installed in the docking device, shut down the computer before docking or undocking to avoid losing data.

- 1 Save all files, close and exit all application programs, exit the operating system, and turn off the computer.

- ➔ NOTICE:** To avoid damaging the docking connector, open the docking panel door before you attempt to dock the computer to the docking device.
- 2 If the computer has a docking panel door, open the docking panel door on the back of the computer.

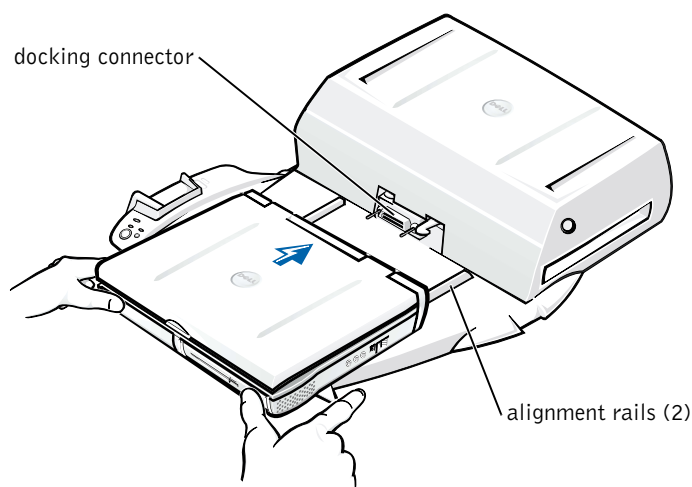
### Docking Panel Door on the Computer



- 3 If you are using the docking device with a monitor stand, close the computer display.
- 4 Ensure that the eject/locking lever is in the unlocked position.

- 5 Dock the computer to the docking device as follows:

### Docking the Computer



- a Horizontally center the computer on the docking device platform, with the back of the computer facing the docking device docking connector, as shown in “Docking the Computer.”
- b Slide the computer toward the connector until you feel the grooves on the bottom of the computer engage with the alignment rails.

➔ **NOTICE:** If you attempt to push the computer all the way into the docking device without engaging the alignment rails, you may irreparably damage the docking connector on the computer.

➔ **NOTICE:** Do not pick up the computer or the docking device separately when they are connected because you may damage the connectors on the computer and the docking device.

➔ **NOTICE:** If you are using a monitor with the monitor stand, remove the monitor from the stand before moving the docking control base into place.


- c Gently push the computer forward until the docking connector is fully engaged.


## Docking for the First Time With Windows XP and Windows 2000

- 1 Dock and turn on your computer.
- 2 Press <F2> during the system boot routine to view the system setup program.
- 3 Set **Docking IRQ** to **Optimized**.
- 4 Set **Universal Connect** to **Enabled**.
- 5 Exit the system setup program.

Your system will continue the boot process.

In Windows 2000, the **Add New Hardware Wizard** appears.

 **NOTE:** *In Windows XP*, the operating system automatically installs the drivers in the background. *In Windows 2000*, the Add New Hardware Wizard automatically installs your drivers.

 **NOTE:** In Windows XP and Windows 2000, to reinstall drivers or ensure the best drivers are installed, see "Updating Drivers in Windows XP, Windows 2000, or Windows Me" later in this document.

## Docking for the First Time With Windows Me

- 1 Dock and turn on your computer.
- 2 Press <F2> during the system boot routine to view the system setup program.
- 3 Set **Docking IRQ** to **Optimized**.
- 4 Set **Universal Connect** to **Enabled**.
- 5 Exit the system setup program.

Your system will continue the boot process.

The **Add New Hardware Wizard** appears.

- 6 Select **Search for the Best Driver for Your Device (Recommended)** and click **Next**.
- 7 Click **Next**.
- 8 Follow the prompts on the **Add New Hardware Wizard**.
- 9 Whenever prompted, select **Search for the Best Driver for Your Device (Recommended)** and click **Next**.

- 10 Continue to follow the prompts to complete the installation. The Windows desktop appears and the installation is complete.

### **Docking for the First Time With Windows NT 4.0**

- 1 Dock and turn on your computer.
- 2 Either press <F2> during the system boot routine, or press <Fn><F1> after your computer boots to view the system setup program.
- 3 Set **Docking IRQ** to **Optimized**.
- 4 Set **Universal Connect** to **Enabled**.
- 5 Exit the system setup program.
- 6 Press <Ctrl><Alt><Del> to log on.

**Docking Station Setup** window appears and indicates that the computer must be undocked to continue.

- 7 Click **OK** and wait for the computer to turn off.
- 8 Undock the computer (see “Undocking the Computer”).  
The computer restarts automatically. If it does not, turn on the computer.
- 9 Select **OK** at the **Device Removal** window.
- 10 Click **Start** and select **Shut Down**.
- 11 Wait for the computer to turn off completely and redock the computer to the docking device.

The computer restarts automatically. If it does not, turn on the computer.

- 12 Press <Ctrl><Alt><Del> to log on.  
The computer automatically detects new devices.
- 13 When prompted, select **Install System Provided Driver for the Selected Device (Recommended)** and click **OK**.
- 14 Click **Continue** at the **Windows NT Setup** window.
- 15 Select **Install System Provided Driver for the Selected Device (Recommended)** and click **OK**.



- 16 Select the name of your network interface controller (NIC) from the drop-down menu.
- 17 Select whether the network adapter should obtain an IP address from a server, or whether an IP address is specified.

If you do not know what to select, see your system administrator.

- 18 Follow the prompts to complete the installation.

The Windows desktop appears and the installation is complete.

The computer cannot enter suspend-to-disk mode while docked.

## **Docking for the First Time With Windows 98**

- 1 Dock and turn on your computer.
- 2 Either press <F2> during the system boot routine, or press <Fn><F1> after your computer boots to view the system setup program.
- 3 Set **Docking IRQ** to **Optimized**.
- 4 Set **Universal Connect** to **Enabled**.
- 5 Exit the system setup program.
- 6 If the **Configuration Setup** window appears, click **OK**.

The **Add New Hardware Wizard** appears.

- 7 Click **Next**.
- 8 Select **Search for the Best Driver for Your Device (Recommended)** and click **Next**.
- 9 Remove the check-mark next to each option and click **Next**.

A window appears, indicating that Windows is ready to detect the best driver for your device.

- 10 Follow the prompts on the **Add New Hardware Wizard**.
- 11 Whenever prompted, select **Search for the Best Driver for Your Device (Recommended)** and click **Next**.
- 12 Continue to follow the prompts to complete the installation.

The Windows desktop appears and the installation is complete.

## Docking for the First Time With Windows 95

- 1 Dock and turn on your computer.
- 2 Either press <F2> during the system boot routine, or press <Fn><F1> after your computer boots to view the system setup program.
- 3 Set **Docking IRQ** to **Optimized**.
- 4 Set **Universal Connect** to **Enabled**.
- 5 Exit the system setup program.

The computer automatically detects new hardware.

- 6 Click **Yes** at the **System Settings Change** window.  
The computer restarts and automatically detects new hardware.
- 7 If the **Configuration Setup** window appears, click **OK**.
- 8 Click **OK** at the **Network** window.
- 9 Select the **Identification** tab at the next **Network** window.
- 10 Enter a **Computer Name** and **Workgroup** that will identify your computer on the network, and click **Close**.

If you are unsure what **Computer Name** and **Workgroup** to enter, check with your system administrator.



**NOTE:** You must enter a **Computer Name** and **Workgroup** to proceed with the driver installation.

The computer automatically copies files and builds a driver information database.

- 11 Click **Yes** at the **System Settings Change** window.


The computer restarts.

An **Enter Network Password** window appears. If you do not wish to set a username and password at this point, or if you have not yet been provided one for use by your system administrator, click **Cancel**.

The computer automatically detects new hardware.

- 12 Click **OK** at the **Configuration Setup** window.

The Windows desktop appears and the installation is complete.

 **NOTE:** To use the USB connectors, you must install the USB supplement from your *ResourceCD* in the **Win95\OSUpdate** directory. If you install the USB supplement, your computer cannot enter suspend mode. Dell recommends that you do not install the USB supplement unless you intend to use USB devices.

## Updating Drivers in Windows XP and Windows 2000

To update drivers in Windows XP and Windows 2000:

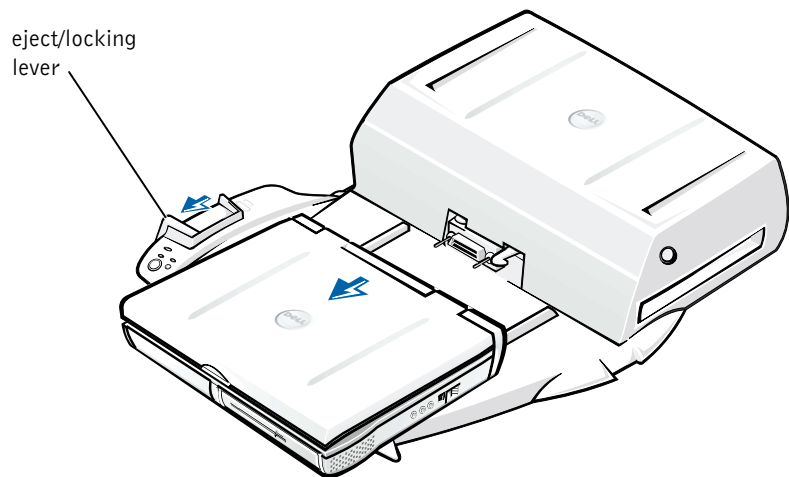
- 1 Right-click **My Computer** and click **Manage**. (*In Windows XP, click the **Start** button to access **My Computer**. In Windows 2000, **My Computer** is located on the Windows desktop.*)
- 2 In the **Computer Management** window, click **Device Manager**, and double-click **Network adapters**.
- 3 Double-click **3Com 3C920 Integrated Fast Ethernet Controller**.
- 4 Click the **Driver** tab.
- 5 Click **Update Driver...** and follow the prompts.

## Updating Drivers in Windows Me

To update drivers in Windows Me:

- 1 Right-click **My Computer** on the desktop and click **Properties**.
- 2 In the **System Properties** window, click the **Device Manager** tab, and double-click **Network adapters**.
- 3 Double-click **3Com 3C920 Integrated Fast Ethernet Controller**.
- 4 Click the **Driver** tab.
- 5 Click **Update Driver...** and follow the prompts.

## Undocking the Computer



- ➡ **NOTICE:** If the computer does not have power from a battery, the computer turns off when you undock it, and you will lose all unsaved data.
- ➡ **NOTICE:** Never undock the computer without first preparing the computer. If you undock before preparing the computer, you will lose data and the computer may not recover normal operation for several minutes, if at all.

To prepare the computer for undocking, perform one of the following:

- Press <Fn><Esc> on the computer's keyboard (or <Scroll Lock><Esc> on an external keyboard).  
Wait a few seconds for the power light on the computer to turn off.
- *In Windows XP*, click the **Start** button, and then click **Undock Computer**.

*In Windows 95, Windows 98, Windows Me, or Windows 2000*, click the **Start** button, and then click **Eject PC**.

*In Windows NT*, click the docking icon on the taskbar, and then click **Undock** to place the computer in suspend mode.

Wait a few seconds for the power light on the computer to turn off.

- Press the undock request button on the docking control base (see the figure “Docking Control Base Controls and Indicators”). Wait for the green docking light to turn off.

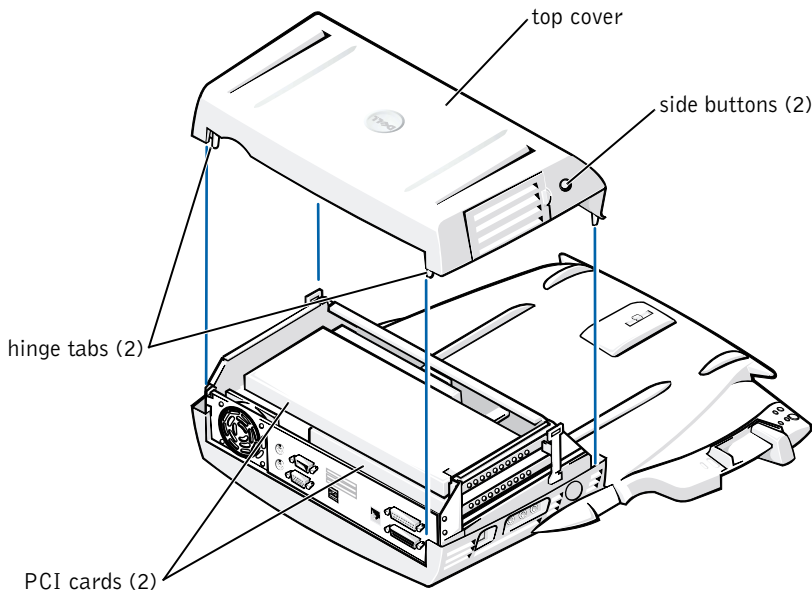
# Replacing the Battery

Your docking device uses a lithium ion battery. The lithium ion cell battery is a long-life battery, and it is very possible that you will never need to replace it. However, should you need to replace it, perform the following steps.

**⚠ CAUTION:** There is a danger of a new battery exploding if it is incorrectly installed. Replace the battery only with the same or equivalent type recommended by the manufacturer. Discard used batteries according to the manufacturer's instructions.

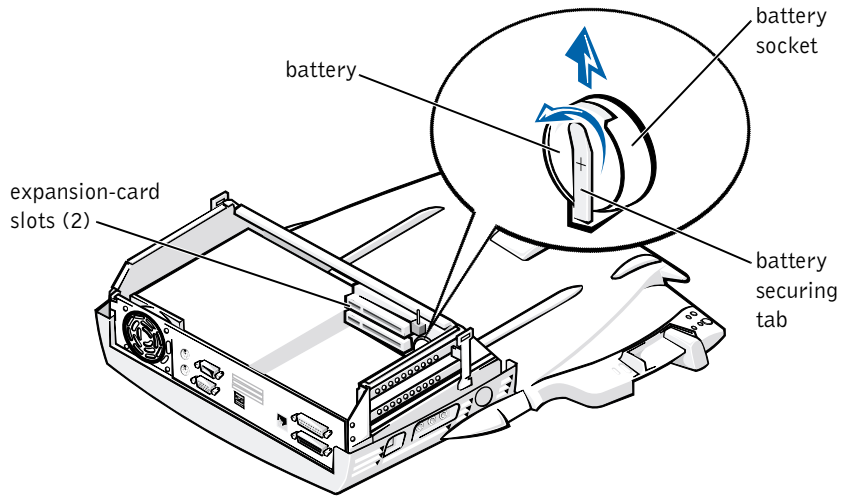
- 1 Undock the computer as described in “Undocking the Computer.”
- 2 Turn off the power switch on the docking device and disconnect the AC adapter.
- 3 Remove the top cover by pressing the two side buttons and rotating the cover toward the back of the expansion station (see “Removing the Top Cover”). Once the cover is vertical, disengage the hinge tabs, and fully remove the cover.

## Removing the Top Cover



- 4 Remove any installed cards from the expansion-card slots.

## Replacing the Battery





- 5 Slightly lift up the battery securing tab and remove the battery from the battery socket.
- 6 Orient the new battery with the side labeled “+” facing up. Then insert the battery into the socket and release the securing tab.

Do not dispose of this battery along with household waste. Contact your local waste disposal agency for the address of the nearest battery deposit site.

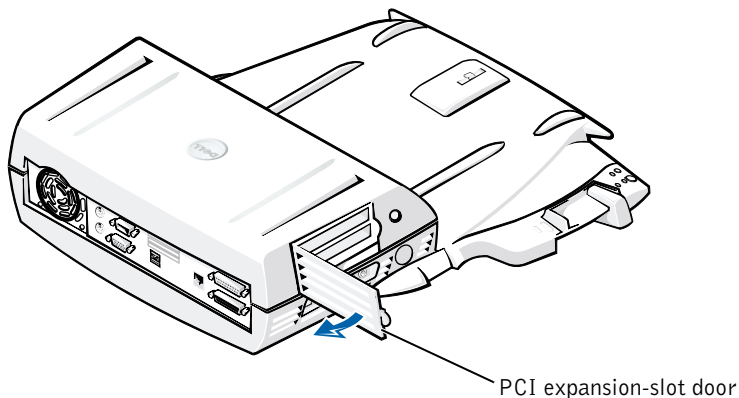
## Removing and Installing a PCI Expansion Card

To install a Peripheral Component Interconnect (PCI) expansion card in the docking device, perform the following steps.

-  **NOTE:** Install 3.3-volt (V) or 5-V PCI expansion cards no longer than 10 inches (25.4 centimeters [cm]) in the top slot and install 3.3-V or 5-V PCI expansion cards no longer than 6.9 inches (15.5 cm) in the bottom slot.
-  **NOTICE:** Do not touch or handle anything inside the docking device except those objects mentioned in the following procedure. If you touch other objects, you may damage the docking device, and may void your warranty.

- 1 Save all files, close and exit all application programs, and exit the operating system.
- 2 Turn off the computer.
- 3 Remove the monitor from the monitor stand. Remove the monitor stand from the docking device.
- 4 Undock your computer and leave the eject/locking lever in the unlocked position.
- 5 Detach all cables—including the AC adapter cable—from the docking device. Make sure the eject/locking lever is not in the back/locking position.
- 6 Press the latch on the PCI expansion-slot door and remove it. See the following figure.

#### PCI Expansion-Slot Door and Expansion-Card Connector



- 7 Remove the top cover by pressing the two side buttons and rotating the cover toward the back of the docking device. Once the cover is rotated back, disengage the hinge tabs from the back of the docking device, and fully remove the top cover.

See the figure “Removing the Top Cover.”

- 8 Remove the screw holding the empty mounting bracket and set aside for future use.

Remove the empty mounting bracket. If a PCI card is installed, remove it by grasping the card by its outside corners, and easing it out of its connector.

- 9 Install a PCI expansion card.
  - a Insert the card-edge connector of the card firmly into the expansion-card connector.
  - b Gently rock the card side to side into the connector until it is fully seated.
- 10 Reseat the screw in the PCI card bracket to secure the PCI card.
- 11 Replace the top cover by first engaging the hinge tabs and gently lowering the front of the top cover into place. The top cover will be properly aligned when you hear the side buttons click into place.
- 12 Reconnect the cables—including the AC adapter cable—you disconnected in step 5.
- 13 Dock your computer.
- 14 Replace the monitor stand on the docking device and the monitor on the monitor stand.
- 15 Turn on the computer.
- 16 Install the drivers for the PCI card.

If a 16/4 Token-Ring PCI Adapter network card came with the docking device, Dell included a CD containing drivers and installation instructions.



**NOTE:** If you are installing network drivers for a 16/4 Token-Ring PCI Adapter network card, connect the computer to the network before you install the drivers. Alert your network administrator before you connect the docking device to a network.

If you are using a PCI card that was not purchased from Dell, use the drivers and instructions provided by the manufacturer of the card.



**NOTE:** The 16/4 Token-Ring PCI Adapter network card that Dell installed has been tested for use with the C/Dock II Expansion Station. Although you can install other PCI expansion cards, Dell does not guarantee their functionality.



# Using the C/Dock II Media Bay

You may use any media device from your computer, such as a floppy drive or CD drive, in the C/Dock II Expansion Station media bay.

➔ **NOTICE:** To avoid damaging the docking device or the media device, do not install any device in the docking device media bay that you do not normally use in your computer.

➔ **NOTICE:** To avoid damaging the docking device, do not install the travel module or battery from the Dell Latitude computer in the docking device media bay.

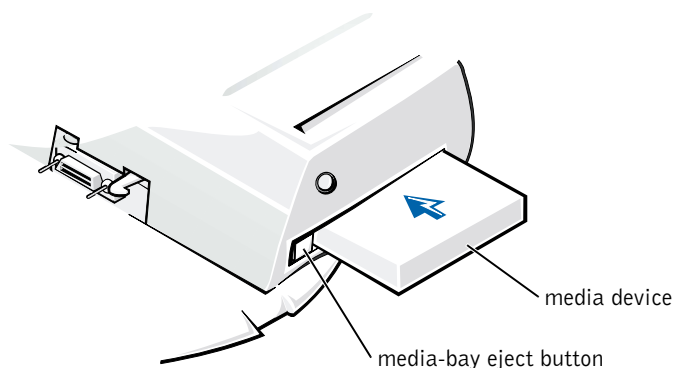
To install the computer's media device in the docking device media bay, perform the following steps.

✍ **NOTE:** The eject/locking lever must be in the unlocked position before you install a media device.

- 1 Save all files, close and exit all application programs, and exit the operating system.
- 2 Turn off the computer.
- 3 Remove any media device in the docking device media bay.

Press the media-bay eject button (see “Installing a Media Device in the Media Bay”). After the device slides partially out of the media bay, gently remove it the rest of the way.

## Installing a Media Device in the Media Bay



- 4 Insert the desired media device into the docking device media bay (see the figure “Installing a Media Device in the Media Bay”).
- 5 Press the device in firmly.  
If you properly seat the device, you should hear a click.  
If you do not properly seat the device, it will be loose within the media bay. Reseat the device.
- 6 Turn on the computer.

### **Installing a Media Device for Windows NT 4.0 With Softex Docking Services**

Windows NT with Softex Docking services allows hot-swapping of devices from the media bay. For more information, see "Docking With Windows NT and Softex Docking Services" and the *Softex Docking Services User's Guide* at <http://support.dell.com>.

## **Securing the C/Dock Expansion Station**

### **Security Features**

The docking device has the following security features:

- An eject/locking lever that allows you to secure and eject your computer. The back position secures the computer to the C/Dock II Expansion Station. The middle position allows you to use the docking device without securing it. The front position ejects the computer from the docking device. Push the eject/locking lever to the back position to use the padlock security lock and the security lock slot.
- A spring-loaded latch on the front of the base that fits into a security slot on the bottom of the computer secures the computer to the docking control base. Not all Dell portable computers have the security slot.
- A secured top cover that blocks access to Peripheral Card Interconnect (PCI) Card removal.
- A secured media-bay eject button that blocks removal of media bay devices.
- An immobilized catch latch to deter unauthorized computer removal.

## Securing the C/Dock II Expansion Station

Use one of the following methods to secure the docking device:

- Use a padlock alone or a padlock and looped security cable with the padlock slot (see the figure “Docking Control Base Controls and Indicators”) on the docking device.

A padlock alone blocks the eject lever and makes it difficult to detach the computer from the docking device.

A security cable looped around a stationary object and used in conjunction with the padlock can help prevent the unauthorized movement of the computer and the C/Dock II Expansion Station.

- Attach a commercially available antitheft device to the security lock slot (see the figure “Docking Control Base Controls and Indicators”) on the docking device.

Antitheft devices usually include a segment of metal-stranded cable with an attached locking device and associated key. Dell recommends that you use a Kensington lock. For instructions on installing this kind of antitheft device, see the documentation that accompanied the device.

## Dell Diagnostics

The Dell Diagnostics that came with your Dell Latitude computer includes tests that help you troubleshoot the controllers in your docking device.

The subtests in the **Network Interface** test group of the Dell Diagnostics verify the basic operation of the network controller in the docking device. They test the controller's internal functions, including read and write access to its registers and internal transmit and receive (loopback) capability.

The subtests in the **Serial/Infrared Ports** test group check the docking device's interface with external devices (such as a serial mouse or a printer). The subtests in this test group are not intended as a diagnostic test for the external device itself.

The subtests in the **USB** test group check the docking device's interface with external devices (such as a mouse). The subtests in this test group are not intended as a diagnostic test for the external device itself.

For complete instructions on using the Dell Diagnostics, see your computer's *User's Guide*.

# Technical Specifications

## Technical Specifications

### Physical

#### Height:

With monitor stand	10.9 cm (4.3 inches)
Standalone	10.9 cm (4.3 inches)

#### Depth:

With monitor stand	50.0 cm (19.7 inches)
Standalone	47.0 cm (18.5 inches)

#### Width:

With monitor stand	43.5 cm (17.1 inches)
Standalone	42.0 cm (16.5 inches)

#### Weight:

With monitor stand	5.5 kg (12.0 lb)
Standalone	4.1 kg (9.0 lb)

### Power

#### AC Adapter Input:

Voltage	100–240 VAC, 50–60 Hz
Amperage	1.5 A

#### C/Dock II Expansion Station Input:

Voltage	requires 20 VDC from AC Adapter
Amperage	3.5 A

### I/O

Serial (DTE)	16550-compatible, 16-byte buffer connector
Parallel	unidirectional, bidirectional, or ECP connector
PS/2	two mini-DIN connectors
USB	two USB-compliant connectors
Infrared	infrared port compatible with IrDA Standards 1.1 (Fast IR) and 1.0

## Technical Specifications

### I/O

Audio line out	microphone-in jack; line-in/audio-in jack (for record/playback devices); audio line-out jack (for headphones)
SCSI	Ultra SCSI, 50-pin, subminiature D connector
Video	one connector
Network	one RJ45 connector
Docking (to connect to computer)	one connector

### Ethernet Network Controller

Chip set	3Com <sup>®</sup> 3C920; 10/100 BASE-TX (PC99-compliant)
Data bus width	32-bit PCI host bus interface
IRQ	IRQ10

### SCSI Controller

Chip set	Adaptec AIDC 7880C
Data bus width	8-bit SCSI bus; 32-bit PCI host bus interface
Data transfer rate	20 MB/sec
IRQ	IRQ10

## Safety and EMC Instructions: Portable Computers

The following information defines the meaning of *additional* symbols used *only* in the Safety and Electromagnetic Compatibility (EMC) Instructions.



Risk of explosion



Aircraft



Risk of fire



Use of this feature may be prohibited on aircraft



Risk of electric shock



## Safety Instructions

### General

- When setting up the docking station for work, place it on a level surface.
- Do not attempt to service the docking station yourself unless you are an authorized service technician. Always follow installation instructions closely.
- If you use an extension power cable with your AC adapter, ensure that the total ampere rating of the products plugged in to the extension power cable does not exceed the ampere rating of the extension cable.



- Do not push objects into air vents or openings of your computer. Doing so can cause fire or electric shock by shorting out interior components.



- Place the AC adapter in a ventilated area, such as a desk top or on the floor, when you use it to run the computer or to charge the battery. Do not cover the AC adapter with papers or other items that will reduce cooling; also, do not use the AC adapter inside a carrying case.



- Do not use your computer in a wet environment, for example, near a bath tub, sink, or swimming pool or in a wet basement.



- To help avoid the potential hazard of electric shock, do not connect or disconnect any cables or perform maintenance or reconfiguration of this product during an electrical storm. Do not use your computer during an electrical storm unless all cables have been disconnected and the computer is operating on battery power.
- Use only the AC adapter and batteries that are approved for use with this docking device as indicated in this document. Use of another type of battery pack or AC adapter may risk fire or explosion.
- Before you clean your docking station, turn it off and disconnect the AC adapter from the electrical outlet. Clean your docking station with a soft cloth dampened with water. Do not use liquid or aerosol cleaners, which may contain flammable substances.



## Power (Safety Instructions)



- Use only the Dell-provided AC adapter approved for use with this docking station. Use of another AC adapter may cause a fire or explosion.
- Before you connect the docking station to an electrical outlet, check the AC adapter voltage rating to ensure that the required voltage and frequency match the available power source.
- To remove power from the computer, turn it off and disconnect the AC adapter from the electrical outlet.



- To help prevent electric shock, plug the AC adapter and peripheral power cables into properly grounded power sources. These power cables may be equipped with three-prong plugs to provide an earth grounding connection. Do not use adapter plugs or remove the grounding prong from the power cable plug. If you use a power extension cable, use the appropriate type, two-prong or three-prong, to mate with the AC adapter power cable.
- Be sure that nothing rests on your AC adapter's power cable and that the cable is not located where it can be tripped over or stepped on.



- If you are using a multiple-outlet power strip, use caution when plugging the AC adapter's power cable into the power strip. Some power strips may allow you to insert the plug incorrectly. Incorrect insertion of the power plug could result in permanent damage to your computer, as well as risk of electric shock and/or fire. Ensure that the ground prong of the power plug is inserted into the mating ground contact of the power strip.



## Battery Disposal

Your docking device uses a lithium ion battery. The lithium ion battery is a long-life battery, and it is very possible that you will never need to replace it. However, should you need to replace it, see “Replacing the Battery” found earlier in this document.

Do not dispose of the battery along with household waste. Contact your local waste disposal agency for the address of the nearest battery deposit site.

## Regulatory Notices

Electromagnetic Interference (EMI) is any signal or emission, radiated in free space or conducted along power or signal leads, that endangers the functioning of a radio navigation or other safety service or seriously degrades, obstructs, or repeatedly interrupts a licensed radio communications service. Radio communications services include but are not limited to AM/FM commercial broadcast, television, cellular services, radar, air-traffic control, pager, and Personal Communication Services (PCS). These licensed services, along with unintentional radiators such as digital devices, including computers, contribute to the electromagnetic environment.

Electromagnetic Compatibility (EMC) is the ability of items of electronic equipment to function properly together in the electronic environment. While this computer has been designed and determined to be compliant with regulatory agency limits for EMI, there is no guarantee that interference will not occur in a particular installation. If this equipment does cause interference with radio communications services, which can be determined by turning the equipment off and on, you are encouraged to try to correct the interference by one or more of the following measures:

- Reorient the receiving antenna.
- Relocate the computer with respect to the receiver.
- Move the computer away from the receiver.
- Plug the computer into a different outlet so that the computer and the receiver are on different branch circuits.



If necessary, consult a Dell Technical Support representative or an experienced radio/television technician for additional suggestions.

Dell computers are designed, tested, and classified for their intended electromagnetic environment. These electromagnetic environment classifications generally refer to the following harmonized definitions:

- Class A is typically for business or industrial environments.
- Class B is typically for residential environments.

Information Technology Equipment (ITE), including devices, expansion cards, printers, input/output (I/O) devices, monitors, and so on, that are integrated into or connected to the computer should match the electromagnetic environment classification of the computer.

**A Notice About Shielded Signal Cables:** Use only shielded cables for connecting devices to any Dell device to reduce the possibility of interference with radio communications services. Using shielded cables ensures that you maintain the appropriate EMC classification for the intended environment. For parallel printers, a cable is available from Dell. If you prefer, you can order a cable from Dell on the World Wide Web at <http://accessories.us.dell.com/>.

Most Dell computers are classified for Class B environments. However, the inclusion of certain options can change the rating of some configurations to Class A. To determine the electromagnetic classification for your computer or device, refer to the following sections specific for each regulatory agency. Each section provides country-specific EMC/EMI or product safety information.

## **FCC Notices (U.S. Only)**

Most Dell computers are classified by the Federal Communications Commission (FCC) as Class B digital devices. To determine which classification applies to your computer, examine all FCC registration labels located on the bottom or back panel of your computer, on card-mounting brackets, and on the cards themselves. If any one of the labels carries a Class A rating, your entire computer is considered to be a Class A digital device. If *all* labels carry an FCC Class B rating as distinguished by either an FCC ID number or the FCC logo, (FCC), your computer is considered to be a Class B digital device.

Once you have determined your computer's FCC classification, read the appropriate FCC notice. Note that FCC regulations provide that changes or modifications not expressly approved by Dell could void your authority to operate this equipment.

This device complies with Part 15 of the FCC Rules. Operation is subject to the following two conditions:

- This device may not cause harmful interference.
- This device must accept any interference received, including interference that may cause undesired operation.

### **Class A**

This equipment has been tested and found to comply with the limits for a Class A digital device pursuant to Part 15 of the FCC Rules. These limits are designed to provide reasonable protection against harmful interference when the equipment is operated in a commercial environment. This equipment generates, uses, and can radiate radio frequency energy and, if not installed and used in accordance with the manufacturer's instruction manual, may cause harmful interference with radio communications. Operation of this equipment in a residential area is likely to cause harmful interference, in which case you will be required to correct the interference at your own expense.

### **Class B**

This equipment has been tested and found to comply with the limits for a Class B digital device pursuant to Part 15 of the FCC Rules. These limits are designed to provide reasonable protection against harmful interference in a residential installation. This equipment generates, uses, and can radiate radio frequency energy and, if not installed and used in accordance with the manufacturer's instruction manual, may cause interference with radio communications. However, there is no guarantee that interference will not occur in a particular installation. If this equipment does cause harmful interference to radio or television reception, which can be determined by turning the equipment off and on, you are encouraged to try to correct the interference by one or more of the following measures:

- Reorient or relocate the receiving antenna.
- Increase the separation between the equipment and the receiver.

- Connect the equipment into an outlet on a circuit different from that to which the receiver is connected.
- Consult the dealer or an experienced radio/television technician for help.

The following information is provided on the device or devices covered in this document in compliance with FCC regulations:

- Model number: PDX
- Company name:

Dell Computer Corporation  
One Dell Way  
Round Rock, Texas 78682 USA

### **IC Notice (Canada Only)**

Most Dell computers (and other Dell digital apparatus) are classified by the Industry Canada (IC) Interference-Causing Equipment Standard #3 (ICES-003) as Class B digital devices. To determine which classification (Class A or B) applies to your computer (or other Dell digital apparatus), examine all registration labels located on the bottom or the back panel of your computer (or other digital apparatus). A statement in the form of "IC Class A ICES-003" or "IC Class B ICES-003" will be located on one of these labels. Note that Industry Canada regulations provide that changes or modifications not expressly approved by Dell could void your authority to operate this equipment.

This Class B (or Class A, if so indicated on the registration label) digital apparatus meets the requirements of the Canadian Interference-Causing Equipment Regulations.

Cet appareil numérique de la Classe B (ou Classe A, si ainsi indiqué sur l'étiquette d'enregistrement) respecte toutes les exigences du Règlement sur le Matériel Brouilleur du Canada.

## CE Notice (European Union)

Marking by the symbol **CE** indicates compliance of this Dell computer to the EMC Directive and the Low Voltage Directive of the European Union. Such marking is indicative that this Dell system meets the following technical standards:

- EN 55022 — “Limits and Methods of Measurement of Radio Interference Characteristics of Information Technology Equipment.”
- EN 55024 — “Information technology equipment - Immunity characteristics - Limits and methods of measurement.”
- EN 61000-3-2 — “Electromagnetic compatibility (EMC) - Part 3: Limits - Section 2: Limits for harmonic current emissions (Equipment input current up to and including 16 A per phase).”
- EN 61000-3-3 — “Electromagnetic compatibility (EMC) - Part 3: Limits - Section 3: Limitation of voltage fluctuations and flicker in low-voltage supply systems for equipment with rated current up to and including 16 A.”
- EN 60950 — “Safety of Information Technology Equipment.”



**NOTE:** EN 55022 emissions requirements provide for two classifications:

- Class A is for typical commercial areas.
- Class B is for typical domestic areas.

This Dell device is classified for use in a typical Class B domestic environment.

A "Declaration of Conformity" in accordance with the preceding directives and standards has been made and is on file at Dell Computer Corporation Products Europe BV, Limerick, Ireland.

## EN 55022 Compliance (Czech Republic Only)

This device belongs to Class B devices as described in EN 55022, unless it is specifically stated that it is a Class A device on the specification label. The following applies to devices in Class A of EN 55022 (radius of protection up to 30 meters). The user of the device is obliged to take all steps necessary to remove sources of interference to telecommunication or other devices.

Pokud není na typovém štítku počítače uvedeno, že spadá do třídy A podle EN 55022, spadá automaticky do třídy B podle EN 55022. Pro zařízení zařazená do třídy A (ochranné pásmo 30m) podle EN 55022 platí následující. Dojde-li k rušení telekomunikačních nebo jiných zařízení, je uživatel povinen provést taková opatření, aby rušení odstranil.

## VCCI Notice (Japan Only)

Most Dell computers are classified by the Voluntary Control Council for Interference (VCCI) as Class B information technology equipment (ITE). However, the inclusion of certain options can change the rating of some configurations to Class A. ITE, including devices, expansion cards, printers, input/output (I/O) devices, monitors, and so on, integrated into or connected to the computer should match the electromagnetic environment classification (Class A or B) of the computer.

To determine which classification applies to your computer, examine the regulatory labels/markings (see "VCCI Class A ITE Regulatory Mark" and "VCCI Class B ITE Regulatory Mark") located on the bottom or back panel of your computer. Once you have determined your computer's VCCI classification, read the appropriate VCCI notice.

## Class A ITE

この装置は、情報処理装置等電波障害自主規制協議会（VCCI）の基準に基づくクラス A 情報技術装置です。この装置を家庭環境で使用すると電波妨害を引き起こすことがあります。この場合には使用者が適切な対策を講ずるよう要求されることがあります。

This is a Class A product based on the standard of the Voluntary Control Council for Interference (VCCI) for information technology equipment. If this equipment is used in a domestic environment, radio disturbance may arise. When such trouble occurs, the user may be required to take corrective actions.

### VCCI Class A ITE Regulatory Mark

**VCCI-A**

## Class B ITE

この装置は、情報処理装置等電波障害自主規制協議会（VCCI）の基準に基づくクラス B 情報技術装置です。この装置は家庭環境で使用することを目的としていますが、ラジオやテレビジョン受信機に近接して使用されると、受信障害を引き起こすことがあります。  
取扱説明書に従って正しい取り扱いをしてください。

This is a Class B product based on the standard of the Voluntary Control Council for Interference (VCCI) for information technology equipment. If this equipment is used near a radio or television receiver in a domestic environment, it may cause radio interference. Install and use the equipment according to the instruction manual.

## VCCI Class B ITE Regulatory Mark



### MIC Notice (Republic of Korea Only)

To determine which classification (Class A or B) applies to your computer (or other Dell digital device), examine the Republic of Korean Ministry of Information and Communications (MIC) registration labels located on your computer (or other Dell digital device). The MIC label may be located separately from the other regulatory marking applied to your product. Line three of the label identifies the emissions class for the product—"A" for Class A products or "B" for Class B products.

**NOTE:** MIC emissions requirements provide for two classifications:

- Class A devices are for business purposes.
- Class B devices are for nonbusiness purposes.

### Class A Device

기종별	사용자안내문
A급 기기 (업무용 정보통신기기)	이 기기는 업무용으로 전자파적합등록을 한 기기이오니 판매자 또는 사용자는 이 점을 주의하시기 바라며 만약 잘못 판매 또는 구입하였을 때에는 가정용으로 교환하시기 바랍니다.

Please note that this device has been approved for business purposes with regard to electromagnetic interference. If you find that this device is not suitable for your use, you may exchange it for a nonbusiness-purpose device.

### MIC Class A Regulatory Label



1. 기기의 명칭(모델명):
2. 인증번호:
3. 인증받은 자의 상호: (A)
4. 제조년월일:
5. 제조자/제조국가:

### Class B Device

기종별	사용자 안내문
B급 기기 (가정용 정보통신기기)	이 기기는 가정용으로 전자파적합등록을 한 기기로서 주거지역에서는 물론 모든 지역에서 사용할 수 있습니다.

Please note that this device has been approved for nonbusiness purposes and may be used in any environment, including residential areas.

### MIC Class B Regulatory Label



1. 기기의 명칭(모델명):
2. 인증번호:
3. 인증받은 자의 상호: (B)
4. 제조년월일:
5. 제조자/제조국가:

### Polish Center for Testing and Certification Notice

The equipment should draw power from a socket with an attached protection circuit (a three-prong socket). All equipment that works together (computer, monitor, printer, and so on) should have the same power supply source.

The phasing conductor of the room's electrical installation should have a reserve short-circuit protection device in the form of a fuse with a nominal value no larger than 16 amperes (A).



To completely switch off the equipment, the power supply cable must be removed from the power supply socket, which should be located near the equipment and easily accessible.

A protection mark "B" confirms that the equipment is in compliance with the protection usage requirements of standards PN-93/T-42107 and PN-EN 55022: 1996.

### **Wymagania Polskiego Centrum Badań i Certyfikacji**

Urządzenie powinno być zasilane z gniazda z przyłączonym obwodem ochronnym (gniazdo z kołkiem). Współpracujące ze sobą urządzenia (komputer, monitor, drukarka) powinny być zasilane z tego samego źródła.

Instalacja elektryczna pomieszczenia powinna zawierać w przewodzie fazowym rezerwową ochronę przed zwarciami, w postaci bezpiecznika o wartości znamionowej nie większej niż 16A (amperów).

W celu całkowitego wyłączenia urządzenia z sieci zasilania, należy wyjąć wtyczkę kabla zasilającego z gniazdka, które powinno znajdować się w pobliżu urządzenia i być łatwo dostępne.

Znak bezpieczeństwa "B" potwierdza zgodność urządzenia z wymaganiami bezpieczeństwa użytkownika zawartymi w PN-93/T-42107 i PN-EN 55022:1996.

Jeżeli na tabliczce znamionowej umieszczono informację, że urządzenie jest klasy A, to oznacza to, że urządzenie w środowisku mieszkalnym może powodować zakłócenia radioelektryczne. W takich przypadkach można żądać od jego użytkownika zastosowania odpowiednich środków zaradczych.

## Pozostałe instrukcje bezpieczeństwa

- Nie należy używać wtyczek adapterowych lub usuwać kołka obwodu ochronnego z wtyczki. Jeżeli konieczne jest użycie przedłużacza to należy użyć przedłużacza 3-żyłowego z prawidłowo połączonym przewodem ochronnym.
- System komputerowy należy zabezpieczyć przed nagłymi, chwilowymi wzrostami lub spadkami napięcia, używając eliminatora przepięć, urządzenia dopasowującego lub bezzakłócenowego źródła zasilania.
- Należy upewnić się, aby nic nie leżało na kablach systemu komputerowego, oraz aby kable nie były umieszczone w miejscu, gdzie można byłoby na nie nadeptywać lub potykać się o nie.
- Nie należy rozlewać napojów ani innych płynów na system komputerowy.
- Nie należy wpychać żadnych przedmiotów do otworów systemu komputerowego, gdyż może to spowodować pożar lub porażenie prądem, poprzez zwarcie elementów wewnętrznych.
- System komputerowy powinien znajdować się z dala od grzejników i źródeł ciepła. Ponadto, nie należy blokować otworów wentylacyjnych. Należy unikać kładzenia luźnych papierów pod komputer oraz umieszczania komputera w ciasnym miejscu bez możliwości cyrkulacji powietrza wokół niego.

## NOM Information (Mexico Only)

The following information is provided on the device(s) described in this document in compliance with the requirements of the official Mexican standards (NOM):

Exporter:	Dell Computer Corporation One Dell Way Round Rock, TX 78682
Importer:	Dell Computer de México, S.A. de C.V. Paseo de la Reforma 2620 - 11° Piso Col. Lomas Altas 11950 México, D.F.
Ship to:	Dell Computer de México, S.A. de C.V. al Cuidado de Kuehne & Nagel de México S. de R.I. Avenida Soles No. 55 Col. Peñon de los Baños 15520 México, D.F.
Supply voltage:	100–240 VAC
Frequency:	50–60 Hz
Current Consumption:	1.5 A
Output voltage:	20 VDC
Output current:	3.5 A

## Información para NOM (únicamente para México)

La información siguiente se proporciona en el dispositivo o en los dispositivos descritos en este documento, en cumplimiento con los requisitos de la Norma Oficial Mexicana (NOM):

Exportador:	Dell Computer Corporation One Dell Way Round Rock, TX 78682
Importador:	Dell Computer de México, S.A. de C.V. Paseo de la Reforma 2620 - 11° Piso Col. Lomas Altas 11950 México, D.F.
Embarcar a:	Dell Computer de México, S.A. de C.V. al Cuidado de Kuehne & Nagel de México S. de R.L. Avenida Soles No. 55 Col. Peñon de los Baños 15520 México, D.F.
Voltaje de entrada de alimentación:	100–240 VAC
Frecuencia:	50–60 Hz
Consumo eléctrico:	1.5 A
Voltaje de salida:	20 VDC
Corriente de salida:	3.5 A

## BSMI Notice (Taiwan Only)

### BSMI 通告 (僅限於台灣)

大多數的 Dell 電腦系統被 BSMI (經濟部標準檢驗局) 劃分為乙類數位裝置。但是，使用某些選件會使有些組態的等級變成甲類。若要確定您的電腦系統適用等級，請檢查所有位於電腦底部或背面板、擴充卡安裝托架，以及擴充卡上的 BSMI 註冊標籤。如果其中有一甲類標籤，即表示您的系統為甲類數位裝置。如果只有 BSMI 的檢磁號碼標籤，則表示您的系統為乙類數位裝置。

一旦確定了系統的 BSMI 等級，請閱讀相關的 BSMI 通告。請注意，BSMI 通告規定凡是未經 Dell Computer Corporation 明確批准的擅自變更或修改，將導致您失去此設備的使用權。

此裝置符合 BSMI (經濟部標準檢驗局) 的規定，使用時須符合以下兩項條件：

- 此裝置不會產生有害干擾。
- 此裝置必須能接受所接收到的干擾，包括可能導致無法正常作業的干擾。

### 甲類

此設備經測試證明符合 BSMI (經濟部標準檢驗局) 之甲類數位裝置的限制規定。這些限制的目的是為了在商業環境中使用此設備時，能提供合理的保護以防止有害的干擾。此設備會產生、使用並散發射頻能量；如果未遵照製造廠商的指導手冊來安裝和使用，可能會干擾無線電通訊。請勿在住宅區使用此設備。

#### 警告使用者：

這是甲類的資訊產品，在居住的環境中使用時，可能會造成射頻干擾，在這種情況下，使用者會被要求採取某些適當的對策。

## 乙類

此設備經測試證明符合 BSMI (經濟部標準檢驗局) 之乙類數位裝置的限制規定。這些限制的目的是爲了在住宅區安裝時，能防止有害的干擾，提供合理的保護。此設備會產生、使用並散發射頻能量；如果未遵照製造廠商的指導手冊來安裝和使用，可能會干擾無線電通訊。但是，這並不保證在個別的安裝中不會產生干擾。您可以透過關閉和開啓此設備來判斷它是否會對廣播和電視收訊造成干擾；如果確實如此，我們建議您嘗試以下列一種或多種方法來排除干擾：

- 重新調整天線的接收方向或重新放置接收天線。
- 增加設備與接收器的距離。
- 將設備連接至不同的插座，使設備與接收器連接在不同的電路上。
- 請向經銷商或有經驗的無線電/電視技術人員查詢，以獲得幫助。

### CE Mark Notice

This device complies with the requirements of the European Directive 1999/5/EC.

## Limited Warranty and Return Policy

Refer to the invoice that came with your docking device to determine which warranty you purchased.

### One-Year Limited Warranty (U.S. Only)

Dell Computer Corporation (“Dell”) manufactures its hardware products from parts and components that are new or equivalent to new in accordance with industry-standard practices. Dell warrants that the hardware products it manufactures will be free from defects in materials and workmanship. The limited warranty term is one year beginning on the date of invoice, as further described in the following text.

Damage due to shipping the products to you is covered under this limited warranty. Otherwise, this limited warranty does not cover damage due to external causes, including accident, abuse, misuse, problems with electrical power, servicing not authorized by Dell, usage not in accordance with product instructions, failure to perform required preventive maintenance, and problems caused by use of parts and components not supplied by Dell.

This limited warranty does not cover any items that are in one or more of the following categories: software; external devices (except as specifically noted); accessories or parts added to a Dell system after the system is shipped from Dell; accessories or parts added to a Dell system through Dell's system integration department; accessories or parts that are not installed in the Dell factory; or DellWare™ products. Monitors, keyboards, and mice that are Dell-branded or that are included on Dell's standard price list are covered under this limited warranty; all other monitors, keyboards, and mice (including those sold through the DellWare program) are not covered.

Dell will repair or replace products covered under this limited warranty that are returned to Dell's facility. To request warranty service, you must contact Dell's Customer Technical Support within the limited warranty period. See "Getting Help" in your computer's online *User's Guide* to find the appropriate contact information for obtaining customer assistance. If warranty service is required, Dell will issue a Return Material Authorization Number. You must ship the products back to Dell in their original or equivalent packaging, prepay shipping charges, and insure the shipment or accept the risk of loss or damage during shipment. Dell will ship the repaired or replacement products to you (freight prepaid) if you use an address in the continental U.S., where applicable. Shipments to other locations will be made freight collect.



**NOTE:** Before you ship the product(s) to Dell, back up the data on the hard-disk drive(s) and any other storage device(s) in the product(s). Remove any removable media, such as diskettes, CDs, or PC Cards.

Dell owns all parts removed from repaired products. Dell uses new and reconditioned parts made by various manufacturers in performing warranty repairs and building replacement products. If Dell repairs or replaces a product, its warranty term is not extended.

THIS LIMITED WARRANTY GIVES YOU SPECIFIC LEGAL RIGHTS, AND YOU MAY ALSO HAVE OTHER RIGHTS, WHICH VARY FROM STATE TO STATE (OR JURISDICTION TO JURISDICTION). DELL'S RESPONSIBILITY FOR MALFUNCTIONS AND DEFECTS IN HARDWARE IS LIMITED TO REPAIR AND REPLACEMENT AS SET FORTH IN THIS LIMITED WARRANTY STATEMENT. ALL EXPRESS AND IMPLIED WARRANTIES FOR THE PRODUCT, INCLUDING BUT NOT LIMITED TO ANY IMPLIED WARRANTIES OF AND CONDITIONS OF MERCHANTABILITY AND FITNESS FOR A PARTICULAR PURPOSE, ARE LIMITED IN DURATION TO THE WARRANTY PERIOD SET FORTH ABOVE AND NO WARRANTIES, WHETHER EXPRESS OR IMPLIED, WILL APPLY AFTER SUCH PERIOD.

SOME STATES (OR JURISDICTIONS) DO NOT ALLOW LIMITATIONS ON HOW LONG AN IMPLIED WARRANTY LASTS, SO THE PRECEDING LIMITATION MAY NOT APPLY TO YOU.

DELL DOES NOT ACCEPT LIABILITY BEYOND THE REMEDIES SET FORTH IN THIS LIMITED WARRANTY STATEMENT OR LIABILITY FOR INCIDENTAL OR CONSEQUENTIAL DAMAGES, INCLUDING WITHOUT LIMITATION ANY LIABILITY FOR PRODUCTS NOT BEING AVAILABLE FOR USE OR FOR LOST DATA OR SOFTWARE.

SOME STATES (OR JURISDICTIONS) DO NOT ALLOW THE EXCLUSION OR LIMITATION OF INCIDENTAL OR CONSEQUENTIAL DAMAGES, SO THE PRECEDING EXCLUSION OR LIMITATION MAY NOT APPLY TO YOU.

These provisions apply to Dell's one-year limited warranty only. For provisions of any service contract covering your system, refer to your invoice or the separate service contract that you will receive.

If Dell elects to exchange a product or portion of a product, the exchange will be made in accordance with Dell's Exchange Policy in effect on the date of the exchange. In any instance in which Dell issues a Return Material Authorization Number, Dell must receive the product(s) for repair prior to the expiration of the warranty period in order for the repair(s) to be covered by the limited warranty.



## One-Year Limited Warranty (Canada Only)

Dell Computer Corporation (“Dell”) manufactures its hardware products from parts and components that are new or equivalent to new in accordance with industry-standard practices. Dell warrants that the hardware products it manufactures will be free from defects in materials and workmanship. The limited warranty term is one year beginning on the date of invoice, as further described in the following text.

Damage due to shipping the products to you is covered under this limited warranty. Otherwise, this limited warranty does not cover damage due to external causes, including accident, abuse, misuse, problems with electrical power, servicing not authorized by Dell, usage not in accordance with product instructions, failure to perform required preventive maintenance, and problems caused by use of parts and components not supplied by Dell.

This limited warranty does not cover any items that are in one or more of the following categories: software; external devices (except as specifically noted); accessories or parts added to a Dell system after the system is shipped from Dell; accessories or parts added to a Dell system through Dell’s system integration department; accessories or parts that are not installed in the Dell factory; or DellWare products. Monitors, keyboards, and mice that are Dell-branded or that are included on Dell’s standard price list are covered under this limited warranty; all other monitors, keyboards, and mice (including those sold through the DellWare program) are not covered.

Dell will repair or replace products covered under this limited warranty that are returned to Dell’s facility. To request warranty service, you must contact Dell’s Customer Technical Support within the warranty period. See “Getting Help” in your computer’s online *User’s Guide* to find the appropriate contact information for obtaining customer assistance. If warranty service is required, Dell will issue a Return Material Authorization Number. You must ship the products back to Dell in their original or equivalent packaging, prepay shipping charges, and insure the shipment or accept the risk of loss or damage during shipment. Dell will ship the repaired or replacement products to you (freight prepaid) if you use an address in Canada, where applicable. Shipments to other locations will be made freight collect.



**NOTE:** Before you ship the product(s) to Dell, back up the data on the hard-disk drive(s) and any other storage device(s) in the product(s). Remove any removable media, such as diskettes, CDs, or PC Cards.

Dell owns all parts removed from repaired products. Dell uses new and reconditioned parts made by various manufacturers in performing warranty repairs and building replacement products. If Dell repairs or replaces a product, its warranty term is not extended.

DELL MAKES NO EXPRESS WARRANTIES OR CONDITIONS BEYOND THOSE STATED IN THIS LIMITED WARRANTY STATEMENT. DELL DISCLAIMS ALL OTHER WARRANTIES AND CONDITIONS, EXPRESS OR IMPLIED, INCLUDING WITHOUT LIMITATION IMPLIED WARRANTIES AND CONDITIONS OF MERCHANTABILITY AND FITNESS FOR A PARTICULAR PURPOSE. SOME STATES (OR JURISDICTIONS) DO NOT ALLOW LIMITATIONS ON IMPLIED WARRANTIES OR CONDITIONS, SO THIS LIMITATION MAY NOT APPLY TO YOU.

DELL'S RESPONSIBILITY FOR MALFUNCTIONS AND DEFECTS IN HARDWARE IS LIMITED TO REPAIR AND REPLACEMENT AS SET FORTH IN THIS LIMITED WARRANTY STATEMENT. THESE WARRANTIES GIVE YOU SPECIFIC LEGAL RIGHTS, AND YOU MAY ALSO HAVE OTHER RIGHTS, WHICH VARY FROM STATE TO STATE (OR JURISDICTION TO JURISDICTION).

DELL DOES NOT ACCEPT LIABILITY BEYOND THE REMEDIES SET FORTH IN THIS LIMITED WARRANTY STATEMENT OR LIABILITY FOR INCIDENTAL OR CONSEQUENTIAL DAMAGES, INCLUDING WITHOUT LIMITATION ANY LIABILITY FOR PRODUCTS NOT BEING AVAILABLE FOR USE OR FOR LOST DATA OR SOFTWARE.

SOME STATES (OR JURISDICTIONS) DO NOT ALLOW THE EXCLUSION OR LIMITATION OF INCIDENTAL OR CONSEQUENTIAL DAMAGES, SO THE PRECEDING EXCLUSION OR LIMITATION MAY NOT APPLY TO YOU.

These provisions apply to Dell's one-year limited warranty only. For provisions of any service contract covering your system, refer to your invoice or the separate service contract that you will receive.

If Dell elects to exchange a product or portion of a product, the exchange will be made in accordance with Dell's Exchange Policy in effect on the date of the exchange. In any instance in which Dell issues a Return Material Authorization Number, Dell must receive the product(s) for repair prior to the expiration of the warranty period in order for the repair(s) to be covered by the limited warranty.

## **One-Year End-User Manufacturer Guarantee (Latin America and the Caribbean Only)**

### **Guarantee**

Dell Computer Corporation ("Dell") warrants to the end user in accordance with the following provisions that its branded hardware products, purchased by the end user from a Dell company or an authorized Dell distributor in Latin America or the Caribbean, will be free from defects in materials, workmanship, and design affecting normal use, for a period of one year from the original purchase date. Products for which proper claims are made will, at Dell's option, be repaired or replaced at Dell's expense. Dell owns all parts removed from repaired products. Dell uses new and reconditioned parts made by various manufacturers in performing repairs and building replacement products.

### **Exclusions**

This Guarantee does not apply to defects resulting from: improper or inadequate installation, use, or maintenance; actions or modifications by unauthorized third parties or the end user; accidental or willful damage; or normal wear and tear.

### **Making a Claim**

Claims must be made in Latin America or the Caribbean by contacting the Dell point of sale within the guarantee period. The end user must always supply proof of purchase, indicating name and address of the seller, date of purchase, model and serial number, name and address of the customer, and details of symptoms and configuration at the time of malfunction, including peripherals and software used. Otherwise, Dell may refuse the guarantee claim. Upon diagnosis of a warranted defect, Dell will make arrangements and pay for ground freight and insurance to and from Dell's repair/replacement center. The end user must ensure that the defective product is available for collection properly packed in original or equally protective packaging together with the details listed above and the return number provided to the end user by Dell.

### **Limitation and Statutory Rights**

Dell makes no other warranty, guarantee or like statement other than as explicitly stated above, and this Guarantee is given in place of all other guarantees whatsoever, to the fullest extent permitted by law. In the absence of applicable legislation, this Guarantee will be the end user's sole and exclusive remedy against Dell or any of its affiliates, and neither Dell nor any of its affiliates shall be liable for loss of profit or contracts, or any other indirect or consequential loss arising from negligence, breach of contract, or howsoever.

**This Guarantee does not impair or affect mandatory statutory rights of the end user against and/or any rights resulting from other contracts concluded by the end user with Dell and/or any other seller.**

#### **Dell World Trade LP**

One Dell Way, Round Rock, TX 78682, USA

**Dell Computadores do Brasil Ltda (CNPJ No. 72.381.189/0001-10)/**

**Dell Commercial do Brasil Ltda (CNPJ No. 03 405 822/0001-40)**

Avenida Industrial Belgraf, 400

92990-000 - Eldorado do Sul – RS - Brasil

#### **Dell Computer de Chile Ltda**

Coyancura 2283, Piso 3- Of.302,

Providencia, Santiago - Chile

**Dell Computer de Colombia Corporation**  
Carrera 7 #115-33 Oficina 603  
Bogota, Colombia

**Dell Computer de Mexico SA de CV**  
Paseo de la Reforma 2620 - 11° Piso  
Col. Lomas Altas  
11950 México, D.F.

### **Three-Year Limited Warranty (U.S. Only)**


Dell Computer Corporation (“Dell”) manufactures its hardware products from parts and components that are new or equivalent to new in accordance with industry-standard practices. Dell warrants that the hardware products it manufactures will be free from defects in materials and workmanship. The limited warranty term is three years beginning on the date of invoice, as described in the following text.

Damage due to shipping the products to you is covered under this limited warranty. Otherwise, this limited warranty does not cover damage due to external causes, including accident, abuse, misuse, problems with electrical power, servicing not authorized by Dell, usage not in accordance with product instructions, failure to perform required preventive maintenance, and problems caused by use of parts and components not supplied by Dell.

This limited warranty does not cover any items that are in one or more of the following categories: software; external devices (except as specifically noted); accessories or parts added to a Dell system after the system is shipped from Dell; accessories or parts added to a Dell system through Dell’s system integration department; accessories or parts that are not installed in the Dell factory; or DellWare™ products. Monitors, keyboards, and mice that are Dell-branded or that are included on Dell’s standard price list are covered under this limited warranty; all other monitors, keyboards, and mice (including those sold through the DellWare program) are not covered. Batteries for portable computers are covered only during the initial one-year period of this limited warranty.

## Coverage During Year One

During the one-year period beginning on the invoice date, Dell will repair or replace products covered under this limited warranty that are returned to Dell's facility. To request warranty service, you must contact Dell's Customer Technical Support within the warranty period. See "Getting Help" in your computer's online *User's Guide* to find the appropriate contact information for obtaining customer assistance. If warranty service is required, Dell will issue a Return Material Authorization Number. You must ship the products back to Dell in their original or equivalent packaging, prepay shipping charges, and insure the shipment or accept the risk of loss or damage during shipment. Dell will ship the repaired or replacement products to you freight prepaid if you use an address in the continental U.S., where applicable. Shipments to other locations will be made freight collect.

 **NOTE:** Before you ship the product(s) to Dell, back up the data on the hard-disk drive(s) and any other storage device(s) in the product(s). Remove any removable media, such as diskettes, CDs, or PC Cards. Dell does not accept liability for lost data or software.

Dell owns all parts removed from repaired products. Dell uses new and reconditioned parts made by various manufacturers in performing warranty repairs and building replacement products. If Dell repairs or replaces a product, its warranty term is not extended.

## Coverage During Years Two and Three

During the second and third years of this limited warranty, Dell will provide, on an exchange basis and subject to Dell's Exchange Policy in effect on the date of the exchange, replacement parts for the Dell hardware product(s) covered under this limited warranty when a part requires replacement. You must report each instance of hardware failure to Dell's Customer Technical Support in advance to obtain Dell's concurrence that a part should be replaced and to have Dell ship the replacement part. Dell will ship parts (freight prepaid) if you use an address in the continental U.S., where applicable. Shipments to other locations will be made freight collect. Dell will include a prepaid shipping container with each replacement part for your use in returning the replaced part to Dell. Replacement parts are new or reconditioned. Dell may provide replacement parts made by various manufacturers when supplying parts to you. The warranty term for a replacement part is the remainder of the limited warranty term.

You will pay Dell for replacement parts if the replaced part is not returned to Dell. The process for returning replaced parts, and your obligation to pay for replacement parts if you do not return the replaced parts to Dell, will be in accordance with Dell's Exchange Policy in effect on the date of the exchange.

You accept full responsibility for your software and data. Dell is not required to advise or remind you of appropriate backup and other procedures.

### **General Provisions**

THIS LIMITED WARRANTY GIVES YOU SPECIFIC LEGAL RIGHTS, AND YOU MAY ALSO HAVE OTHER RIGHTS, WHICH VARY FROM STATE TO STATE (OR JURISDICTION TO JURISDICTION). DELL'S RESPONSIBILITY FOR MALFUNCTIONS AND DEFECTS IN HARDWARE IS LIMITED TO REPAIR AND REPLACEMENT AS SET FORTH IN THIS LIMITED WARRANTY STATEMENT. ALL EXPRESS AND IMPLIED WARRANTIES FOR THE PRODUCT, INCLUDING BUT NOT LIMITED TO ANY IMPLIED WARRANTIES OF AND CONDITIONS OF MERCHANTABILITY AND FITNESS FOR A PARTICULAR PURPOSE, ARE LIMITED IN DURATION TO THE WARRANTY PERIOD SET FORTH ABOVE AND NO WARRANTIES, WHETHER EXPRESS OR IMPLIED, WILL APPLY AFTER SUCH PERIOD.

SOME STATES (OR JURISDICTIONS) DO NOT ALLOW LIMITATIONS ON HOW LONG AN IMPLIED WARRANTY LASTS, SO THE PRECEDING LIMITATION MAY NOT APPLY TO YOU.

DELL DOES NOT ACCEPT LIABILITY BEYOND THE REMEDIES SET FORTH IN THIS LIMITED WARRANTY STATEMENT OR LIABILITY FOR INCIDENTAL OR CONSEQUENTIAL DAMAGES, INCLUDING WITHOUT LIMITATION ANY LIABILITY FOR PRODUCTS NOT BEING AVAILABLE FOR USE OR FOR LOST DATA OR SOFTWARE.

SOME STATES (OR JURISDICTIONS) DO NOT ALLOW THE EXCLUSION OR LIMITATION OF INCIDENTAL OR CONSEQUENTIAL DAMAGES, SO THE PRECEDING EXCLUSION OR LIMITATION MAY NOT APPLY TO YOU.

These provisions apply to Dell's three-year limited warranty only. For provisions of any service contract covering your system, refer to your invoice or the separate service contract that you will receive.

If Dell elects to exchange a system or component, the exchange will be made in accordance with Dell's Exchange Policy in effect on the date of the exchange. In any instance in which Dell issues a Return Material Authorization Number, Dell must receive the product(s) for repair prior to the expiration of the warranty period in order for the repair(s) to be covered by the limited warranty.

### **Three-Year Limited Warranty (Canada Only)**

Dell Computer Corporation ("Dell") manufactures its hardware products from parts and components that are new or equivalent to new in accordance with industry-standard practices. Dell warrants that the hardware products it manufactures will be free from defects in materials and workmanship. The warranty term is three years beginning on the date of invoice, as described in the following text.

Damage due to shipping the products to you is covered under this limited warranty. Otherwise, this limited warranty does not cover damage due to external causes, including accident, abuse, misuse, problems with electrical power, servicing not authorized by Dell, usage not in accordance with product instructions, failure to perform required preventive maintenance, and problems caused by use of parts and components not supplied by Dell.

This limited warranty does not cover any items that are in one or more of the following categories: software; external devices (except as specifically noted); accessories or parts added to a Dell system after the system is shipped from Dell; accessories or parts added to a Dell system through Dell's system integration department; accessories or parts that are not installed in the Dell factory; or DellWare products. Monitors, keyboards, and mice that are Dell-branded or that are included on Dell's standard price list are covered under this limited warranty; all other monitors, keyboards, and mice (including those sold through the DellWare program) are not covered. Batteries for portable computers are covered only during the initial one-year period of this limited warranty.



## Coverage During Year One

During the one-year period beginning on the invoice date, Dell will repair or replace products covered under this limited warranty that are returned to Dell's facility. To request warranty service, you must contact Dell's Customer Technical Support within the warranty period. See "Getting Help" in your computer's online *User's Guide* to find the appropriate contact information for obtaining customer assistance. If warranty service is required, Dell will issue a Return Material Authorization Number. You must ship the products back to Dell in their original or equivalent packaging, prepay shipping charges, and insure the shipment or accept the risk of loss or damage during shipment. Dell will ship the repaired or replacement products to you freight prepaid if you use an address in Canada, where applicable. Shipments to other locations will be made freight collect.



**NOTE:** Before you ship the product(s) to Dell, back up the data on the hard-disk drive(s) and any other storage device(s) in the product(s). Remove any removable media, such as diskettes, CDs, or PC Cards. Dell does not accept liability for lost data or software.

Dell owns all parts removed from repaired products. Dell uses new and reconditioned parts made by various manufacturers in performing warranty repairs and building replacement products. If Dell repairs or replaces a product, its warranty term is not extended.

## Coverage During Years Two and Three

During the second and third years of this limited warranty, Dell will provide, on an exchange basis and subject to Dell's Exchange Policy in effect on the date of the exchange, replacement parts for the Dell hardware product(s) covered under this limited warranty when a part requires replacement. You must report each instance of hardware failure to Dell's Customer Technical Support in advance to obtain Dell's concurrence that a part should be replaced and to have Dell ship the replacement part. Dell will ship parts (freight prepaid) if you use an address in Canada, where applicable. Shipments to other locations will be made freight collect. Dell will include a prepaid shipping container with each replacement part for your use in returning the replaced part to Dell. Replacement parts are new or reconditioned. Dell may provide replacement parts made by various manufacturers when supplying parts to you. The warranty term for a replacement part is the remainder of the limited warranty term.

You will pay Dell for replacement parts if the replaced part is not returned to Dell. The process for returning replaced parts, and your obligation to pay for replacement parts if you do not return the replaced parts to Dell, will be in accordance with Dell's Exchange Policy in effect on the date of the exchange.

You accept full responsibility for your software and data. Dell is not required to advise or remind you of appropriate backup and other procedures.

### **General Provisions**

DELL MAKES NO EXPRESS WARRANTIES OR CONDITIONS BEYOND THOSE STATED IN THIS LIMITED WARRANTY STATEMENT. DELL DISCLAIMS ALL OTHER WARRANTIES AND CONDITIONS, EXPRESS OR IMPLIED, INCLUDING WITHOUT LIMITATION IMPLIED WARRANTIES AND CONDITIONS OF MERCHANTABILITY AND FITNESS FOR A PARTICULAR PURPOSE. SOME STATES (OR JURISDICTIONS) DO NOT ALLOW LIMITATIONS ON IMPLIED WARRANTIES OR CONDITIONS, SO THIS LIMITATION MAY NOT APPLY TO YOU.

DELL'S RESPONSIBILITY FOR MALFUNCTIONS AND DEFECTS IN HARDWARE IS LIMITED TO REPAIR AND REPLACEMENT AS SET FORTH IN THIS LIMITED WARRANTY STATEMENT. THESE WARRANTIES GIVE YOU SPECIFIC LEGAL RIGHTS, AND YOU MAY ALSO HAVE OTHER RIGHTS, WHICH VARY FROM STATE TO STATE (OR JURISDICTION TO JURISDICTION).

DELL DOES NOT ACCEPT LIABILITY BEYOND THE REMEDIES SET FORTH IN THIS LIMITED WARRANTY STATEMENT OR LIABILITY FOR INCIDENTAL OR CONSEQUENTIAL DAMAGES, INCLUDING WITHOUT LIMITATION ANY LIABILITY FOR PRODUCTS NOT BEING AVAILABLE FOR USE OR FOR LOST DATA OR SOFTWARE.

SOME STATES (OR JURISDICTIONS) DO NOT ALLOW THE EXCLUSION OR LIMITATION OF INCIDENTAL OR CONSEQUENTIAL DAMAGES, SO THE PRECEDING EXCLUSION OR LIMITATION MAY NOT APPLY TO YOU.

These provisions apply to Dell's three-year limited warranty only. For provisions of any service contract covering your system, refer to your invoice or the separate service contract that you will receive.

If Dell elects to exchange a system or component, the exchange will be made in accordance with Dell's Exchange Policy in effect on the date of the exchange. In any instance in which Dell issues a Return Material Authorization Number, Dell must receive the product(s) for repair prior to the expiration of the warranty period in order for the repair(s) to be covered by the limited warranty.

## **“Total Satisfaction” Return Policy (U.S. and Canada Only)**

If you are an end-user customer who bought new products directly from a Dell company, you may return them to Dell within 30 days of the date of invoice for a refund or credit of the product purchase price. If you are an end-user customer who bought reconditioned or refurbished products from a Dell company, you may return them to Dell within 14 days of the date of invoice for a refund or credit of the product purchase price. In either case, the refund or credit will not include any shipping and handling charges shown on your invoice. If you are an organization that bought the products under a written agreement with Dell, the agreement may contain different terms for the return of products than specified by this policy.

To return products, you must contact Dell Customer Service to receive a Credit Return Authorization Number. See “Getting Help” in your computer’s online *User’s Guide* to find the appropriate contact information for obtaining customer assistance. To expedite the processing of your refund or credit, Dell expects you to return the products to Dell in their original packaging within five days of the date that Dell issues the Credit Return Authorization Number. You must also prepay shipping charges and insure the shipment or accept the risk of loss or damage during shipment. You may return software for refund or credit only if the sealed package containing the diskette(s) or CD(s) is unopened. Returned products must be in as-new condition, and all of the manuals, diskette(s), CD(s), power cables, and other items included with a product must be returned with it. For customers who want to return, for refund or credit only, either applications software or an operating system that has been installed by Dell, the whole system must be returned, along with any media and documentation that may have been included in the original shipment.

This “Total Satisfaction” Return Policy does not apply to DellWare products, which may be returned under DellWare's then-current return policy. In addition, reconditioned parts purchased through Dell Spare Parts Sales in Canada are nonreturnable.

Dell™ Latitude™ C/Dock II 扩充站

# 系统信息指南



## 注、注意和警告



**注：**注表示可以帮助您更好地使用计算机的重要信息。



**注意：**注意表示可能会损坏硬件或导致数据丢失，并告诉您如何避免此类问题。



**警告：**警告表示存在可能导致财产损失、人身伤害或死亡的潜在危险。

---

本文件中的信息如有更改，恕不另行通知。

© 2001 Dell Computer Corporation。版权所有，翻印必究。

未经 Dell Computer Corporation 书面许可，不准以任何形式进行复制。

本文件中使用的商标：Dell、DELL 徽标、Latitude 和 DellWare 是 Dell Computer Corporation 的商标；3Com 是 3Com Corporation 的商标；Microsoft、Windows 和 Windows NT 是 Microsoft Corporation 的注册商标。

本文件中提及的其它商标和产品名称是指拥有相应商标和产品名称的公司或其制造的产品。Dell Computer Corporation 对其它公司的商标和产品名称不拥有任何专利权。

此产品结合了版权保护技术，此技术受某些美国专利的方法申请以及 Macrovision Corporation 与其它产权所有者拥有的其它知识产权保护。必须经 Macrovision Corporation 授权才可以使用此版权保护技术，此技术仅供家庭和其它限制性观看场所使用，除非经 Macrovision Corporation 以其它方式授权。禁止进行逆向工程或反汇编。

2001 年 10 月 P/N 4G279 Rev. A01

Dell™ Latitude™ C/Dock II 扩充站

# 系统信息指南

本说明文件介绍了 Dell Latitude C/Dock II 扩充站的使用入门、安全、管制和保修信息。另外，它还说明了其它可用的 Dell 说明文件及其获取途径。


## 其它可用的说明文件

- 对接设备有时会附带说明文件更新，用于说明对接设备或软件的更新内容。请务必在阅读其它说明文件之前先阅读这些更新文件，因为其中通常包含最新的信息。
- 单独购买的对接设备选件也会附带说明文件，用于说明如何在对接设备中配置和安装这些选件。


## 获得帮助

Dell 提供了许多工具来帮助您解决对接设备问题。有关这些帮助工具的信息，请参阅计算机《用户指南》中的“获得帮助”部分。

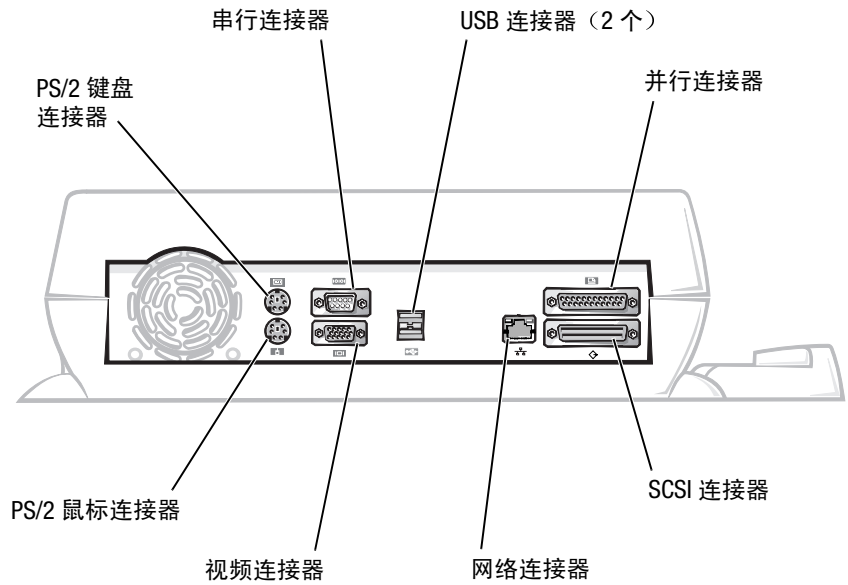
## 对接设备概览

 **注：** 将对接设备连接至网络之前，请通知您的网络管理员。

您必须先将交流适配器连接至对接设备，然后再将计算机连接至对接设备并打开计算机。交流适配器将同时为对接设备和计算机供电。使用对接设备时，计算机中安装的电池将会充电。

 **注意：** 请始终使用对接设备附带的 Dell PA-6 型交流适配器。如果使用其它品牌的交流适配器 — 或旧 Dell 计算机上的交流适配器 — 可能会损坏对接设备或计算机。









### 对接设备的 I/O 面板



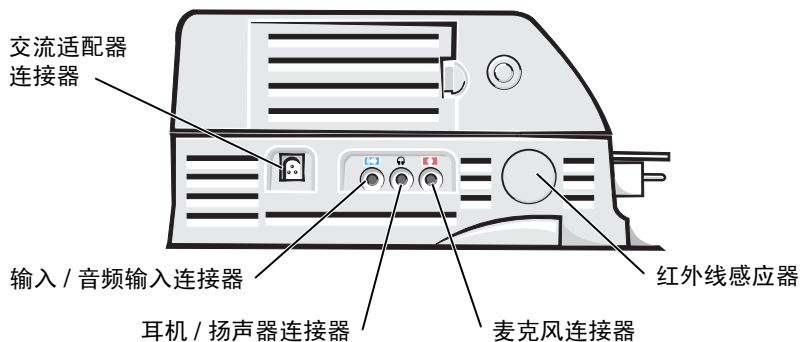
“外部 I/O 连接器”表中列出了对接设备背面所有连接器的图标，并说明了每个连接器可以连接的外部设备类型。



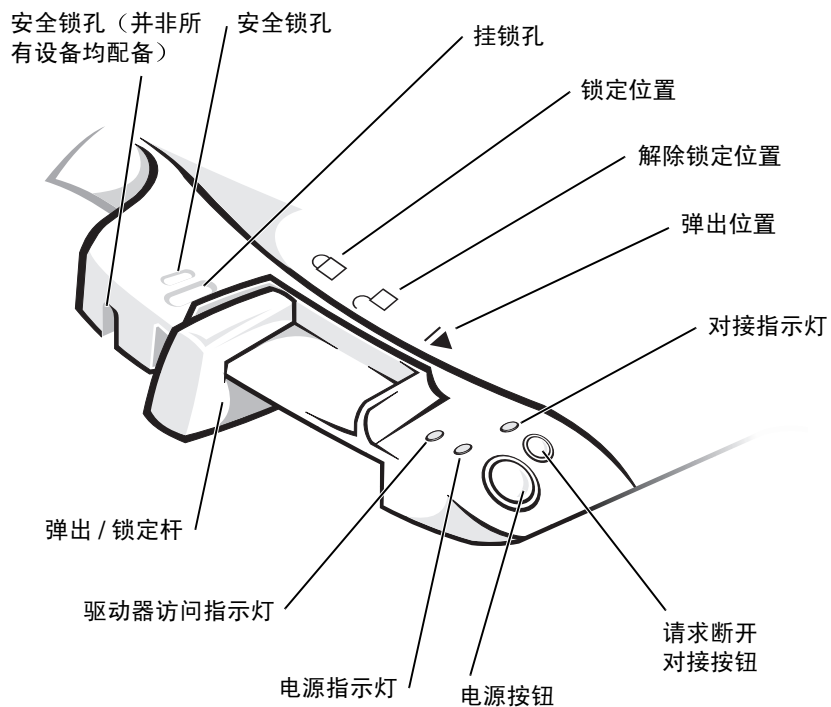
## 外部 I/O 连接器

连接器图标	连接器说明
	一个或两个 USB 设备（例如 USB 鼠标）连接至双 USB 连接器。
	外部 PS/2 型键盘或外部数字小键盘连接至 PS/2 键盘连接器。
	外部 PS/2 兼容型鼠标连接至 PS/2 鼠标连接器。
	串行设备（例如串行鼠标或外部调制解调器）连接至串行端口连接器。
	网络接口电缆连接至 NIC 连接器。
	并行设备（例如打印机）连接至并行端口连接器。
	外部显示器连接至视频连接器。
	对接设备自带的交流适配器连接至交流适配器连接器。

## 音频连接器和红外线感应器



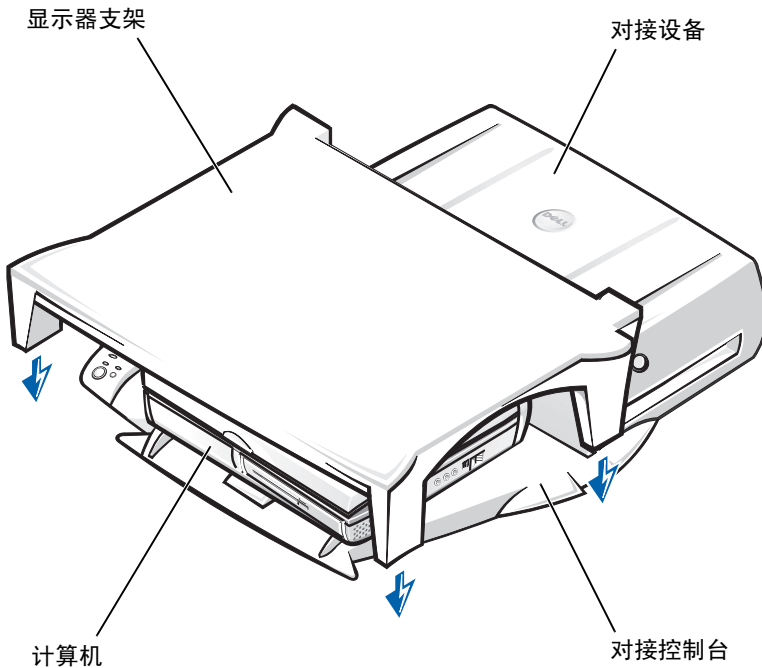
### 对接控制台上的控制按钮和指示灯




### 显示器支架

- ➡ **注意：**该支架可以支撑重达 45.3 千克（100 磅）的显示器。超过此重量的显示器可能会损坏支架、计算机和对接设备。


## 带显示器支架的对接设备



 **注：** 确保显示器支架的后支脚卡入对接控制台两侧的插槽。

## 对接计算机之前

如果计算机运行 Microsoft® Windows® 9x、Windows NT® 或 Windows Millennium (Me) 操作系统，则必须先检查计算机是否安装了对接驱动程序。如果计算机尚未安装对接驱动程序，请在第一次对接计算机之前安装这些驱动程序。要安装对接驱动程序，请执行“安装对接驱动程序”中的步骤。

 **注：** 如果计算机运行 Windows XP 或 Windows 2000 操作系统，则计算机可以自动安装该驱动程序，因此您不必执行“安装对接驱动程序”中的步骤，请转至“对接计算机”。

## 检查计算机是否安装了对接驱动程序

- 1 双击 “My Computer”（我的电脑）。
- 2 双击 “Control Panel”（控制面板）。
- 3 双击 “Add/Remove Programs”（添加 / 删除程序）。
- 4 从程序列表中找到正确的对接驱动程序。

对于 Windows 9x 和 Windows Me，请查找名称中包含 **Quick Install** 的驱动程序。例如：Dell Dock Quick Install for Windows。

对于 Windows NT，请查找 **NT Softex Docking Services**。

如果计算机并未安装对接驱动程序，请转至下一节“安装对接驱动程序”。如果计算机已安装了对接驱动程序，请转至“对接计算机”。

## 安装对接驱动程序

您可以采用以下一种方法安装对接驱动程序：

- 通过计算机或对接设备附带的 ResourceCD 或 Drivers and Utilities CD 安装驱动程序。
- 从 Dell 支持 Web 站点下载对接驱动程序。

### 通过 ResourceCD 或 Drivers and Utilities CD 安装对接驱动程序

- 1 将 ResourceCD 或 Drivers and Utilities CD 放入 CD 驱动器中。

大多数情况下，CD 将自动开始运行。如果 CD 未自动运行，请启动 Windows Explorer，单击 CD 驱动器目录以显示 CD 中的内容，然后双击 **autorcd** 应用程序文件。如果系统显示欢迎屏幕，请单击 “Next”（下一步）。第一次运行此 CD 时，系统可能会提示您安装某些设置文件。单击 “OK”（确定），然后按照屏幕上的说明继续操作。

- 2 从工具栏的 “Language”（语言）下拉式菜单中为驱动程序选择首选语言（如果可用）。

系统将显示欢迎屏幕。

- 3 单击 “Next”（下一步）。

- 4 在“Search Criteria”（搜索标准）选项下，从“System Model”（系统机型）和“Operating System”（操作系统）下拉式菜单中选择适当的类别。

如果您的系统运行 Windows 9x 或 Windows Me，请从“Device Type”（设备类型）下拉式菜单中选择“System Utilities”（系统公用程序），然后从“Topic”（主题）下拉式菜单中选择“Drivers”（驱动程序）。

如果您的系统运行 Windows NT，请从“Device Type”（设备类型）下拉式菜单中选择“System Utilities”（系统公用程序），然后从“Topic”（主题）下拉式菜单中选择“Utilities”（公用程序）。


屏幕将显示一个或多个链接，代表计算机使用的特定驱动程序或公用程序。

- 5 如果您的系统运行 Windows 9x 或 Windows Me，请单击代表 Dell Dock QuickInstall 公用程序的链接。

Dell Dock QuickInstall 文件是一个公用程序，用于在计算机上安装必要的对接驱动程序。

如果您的计算机运行 Windows NT，请单击代表 Softex Docking Services 的链接。

- 6 单击“Install”（安装）按钮，开始自动安装。系统将显示欢迎屏幕，请按照屏幕提示完成安装。

 **注：**某些 ResourceCD 可能需要用户浏览文件夹以获得正确的驱动程序。有关重新安装驱动程序的完整说明，请参阅《用户指南》。

#### 从 Dell 支持 Web 站点安装对接驱动程序

- 1 打开 Dell 支持 Web 站点 <http://support.dell.com>。如果您是第一次访问该站点，请单击显示的地图指出您所在的国家（或地区）。

屏幕将显示“Welcome to support.dell.com”（欢迎访问 support.dell.com）页面。

- 2 输入您的对接设备信息，然后单击“Go!”。

单击“Downloads for Your Dell”（下载 Dell 系统程序）。

屏幕将显示“Downloads For Your Dell”（下载 Dell 系统程序）窗口，其中包括一张需要您填写的简短表格。

- 3 输入您的系统服务标签号码，或选择您的 Dell 系统。
- 4 选择操作系统和操作系统语言。
- 5 选择“System and Configuration Utilities”（系统和配置公用程序）作为下载类别。
- 6 单击“Go!”。
- 7 如果您的计算机运行 Windows 9x 或 Windows Me，请找到并单击代表 Dell Dock QuickInstall 公用程序的链接。  
如果计算机运行 Windows NT，请找到并单击代表 Softex Docking Services 的链接。
- 8 按照屏幕上的说明下载并安装所需的驱动程序。  
下载文件后，请务必阅读下载文件中的 **readme.txt** 文件以了解有关安装的重要信息，然后再安装驱动程序。

## 对接计算机

如果您将显示器连接至对接设备，则显示器在打开后会显示屏幕图象。要将图象切换到计算机显示屏，或者在显示器和计算机显示屏上同时显示图象，请按 <Fn><F8> 组合键。

计算机与对接设备对接并开机后，对接控制台上的绿色电源指示灯将会亮起（参见“对接控制台上的控制按钮和指示灯”）。



**注意：**为避免丢失数据，请在对接计算机之前保存所有打开的文件。



**注意：**如果对接设备中安装了外围组件互连 (PCI) 视频卡，请在对接或断开对接之前关闭计算机以免丢失数据。

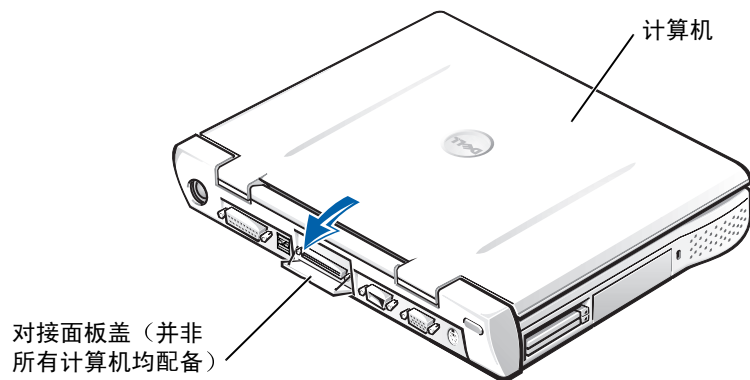
- 1 保存所有文件，关闭并退出所有应用程序，退出操作系统，然后关闭计算机。



**注意：**为避免损坏对连接器，请先打开对接面板盖，然后再将计算机对接至对接设备。

- 2 如果计算机配有对接面板盖，请打开计算机背面的对接面板盖。

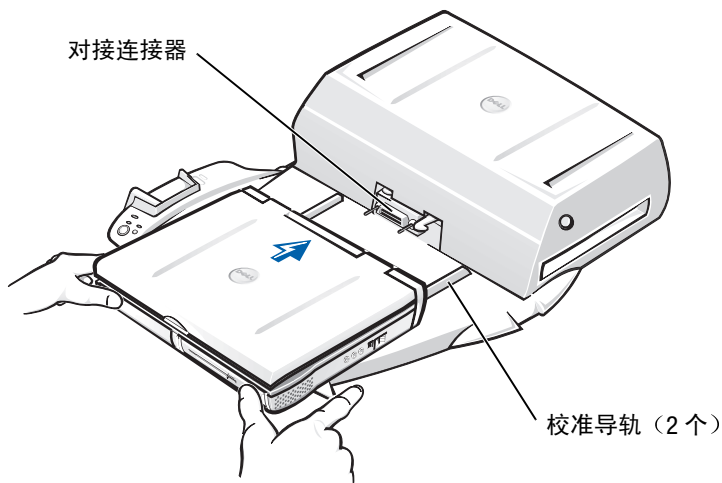
计算机上的对接面板盖



- 3 如果您使用的对接设备带显示器支架，请合上计算机显示屏。
- 4 确保弹出 / 锁定杆处于打开位置。

## 5 将计算机对接至对接设备，步骤如下：

### 对接计算机



- a 水平放置计算机并对准对接设备平台的中央，同时使计算机的背面朝向对接设备的对接连接器，如“对接计算机”中所示。
- b 将计算机滑向连接器，直到您感觉计算机底部的凹槽与校准导轨吻合。

- ➡ **注意：**如果在没有与校准导轨吻合的情况下直接将计算机推入对接设备，则可能会对计算机上的对接连接器造成永久性的损坏。
- ➡ **注意：**计算机与对接设备对接后，切勿单独提起计算机或对接设备。否则，可能会损坏计算机和对接设备上的连接器。
- ➡ **注意：**如果您在显示器支架上放置了显示器，请先从支架上移开显示器，然后再将对接控制台移动到位。

- c 轻轻向前推动计算机，直至对接连接器完全吻合。





## 在 Windows XP 和 Windows 2000 下首次对接

- 1 对接计算机，然后开机。
- 2 在系统引导例行程序期间按 <F2> 键，查看系统设置程序。
- 3 将“Docking IRQ”（对接中断请求）设置为“Optimized”（已优化）。
- 4 将“Universal Connect”（通用连接）设置为“Enabled”（已启用）。
- 5 退出系统设置程序。

系统将继续引导过程。

在 Windows 2000 中，屏幕将显示“Add New Hardware Wizard”（添加新硬件向导）。

-  注：在 Windows XP 中，操作系统将自动在后台安装驱动程序。在 Windows 2000 中，添加新硬件向导将自动安装驱动程序。
-  注：在 Windows XP 和 Windows 2000 中，要重新安装驱动程序或确保安装最好的驱动程序，请参阅本说明文件后面的“在 Windows XP、Windows 2000 或 Windows Me 中更新驱动程序”。

## 在 Windows Me 下首次对接

- 1 对接计算机，然后开机。
- 2 在系统引导例行程序期间按 <F2> 键，查看系统设置程序。
- 3 将“Docking IRQ”（对接中断请求）设置为“Optimized”（已优化）。
- 4 将“Universal Connect”（通用连接）设置为“Enabled”（已启用）。
- 5 退出系统设置程序。

系统将继续引导过程。

屏幕将显示“Add New Hardware Wizard”（添加新硬件向导）。

- 6 选择“Search for the Best Driver for Your Device (Recommended)”（搜索适于我的设备的驱动程序[推荐]），然后单击“Next”（下一步）。
- 7 单击“Next”（下一步）。
- 8 按照“Add New Hardware Wizard”（添加新硬件向导）窗口中的提示进行操作。

- 9 系统提示时，选择“Search for the Best Driver for Your Device (Recommended)”（搜索适于我的设备的驱动程序[推荐]），然后单击“Next”（下一步）。
- 10 继续按照提示完成安装过程。

Windows 桌面将会出现，安装完毕。

### 在 Windows NT 4.0 下首次对接

- 1 对接计算机，然后开机。
- 2 在系统引导例行程序期间按 <F2> 键，或者在计算机引导后按 <Fn><F1> 组合键，打开系统设置程序。
- 3 将“Docking IRQ”（对接中断请求）设置为“Optimized”（已优化）。
- 4 将“Universal Connect”（通用连接）设置为“Enabled”（已启用）。
- 5 退出系统设置程序。
- 6 按 <Ctrl><Alt><Del> 组合键执行登录过程。

屏幕将显示“Docking Station Setup”（对接站安装程序）窗口，说明必须断开对接计算机才能继续进行。

- 7 单击“OK”（确定）并等待计算机关闭。
- 8 断开对接计算机（请参阅“断开对接计算机”）。

计算机将自动重新启动。如果未自动重新启动，请打开计算机。

- 9 在“Device Removal”（删除设备）窗口中选择“OK”（确定）。
- 10 单击“Start”（开始），然后选择“Shut Down”（关闭系统）。
- 11 计算机完全关闭后，将计算机重新对接至对接设备。

计算机将自动重新启动。如果未自动重新启动，请打开计算机。

- 12 按 <Ctrl><Alt><Del> 组合键执行登录过程。

计算机将自动检测新设备。

- 13 系统提示时，选择“Install System Provided Driver for the Selected Device (Recommended)”（安装选定设备的系统驱动程序[推荐]），然后单击“OK”（确定）。

- 14 在“Windows NT Setup”（Windows NT 安装程序）窗口中单击“Continue”（继续）。
- 15 选择“Install System Provided Driver for the Selected Device (Recommended)”（安装选定设备的系统驱动程序[推荐]），然后单击“OK”（确定）。
- 16 从下拉式菜单中选择您的网络接口控制器 (NIC) 的名称。
- 17 确定网络适配器是从服务器获得 IP 地址还是使用指定的 IP 地址。  
如果您不能确定选择哪一种方法，请向您的系统管理员咨询。
- 18 按照提示完成安装过程。

Windows 桌面将会出现，安装完毕。

计算机在对接期间不能进入磁盘暂挂模式。

## 在 Windows 98 下首次对接

- 1 对接计算机，然后开机。
- 2 在系统引导例行程序期间按 <F2> 键，或者在计算机引导后按 <Fn><F1> 组合键，打开系统设置程序。
- 3 将“Docking IRQ”（对接中断请求）设置为“Optimized”（已优化）。
- 4 将“Universal Connect”（通用连接）设置为“Enabled”（已启用）。
- 5 退出系统设置程序。
- 6 如果屏幕显示“Configuration Setup”（配置设置）窗口，请单击“OK”（确定）。  
屏幕将显示“Add New Hardware Wizard”（添加新硬件向导）。
- 7 单击“Next”（下一步）。
- 8 选择“Search for the Best Driver for Your Device (Recommended)”（搜索适于我的设备的驱动程序[推荐]），然后单击“Next”（下一步）。
- 9 取消每个选项旁边的复选标记，然后单击“Next”（下一步）。  
屏幕将显示一个窗口，说明 Windows 准备检测您的设备适用的驱动程序。
- 10 按照“Add New Hardware Wizard”（添加新硬件向导）窗口中的提示进行操作。

- 11 系统提示时，选择“Search for the Best Driver for Your Device (Recommended)”（搜索适于我的设备的驱动程序[推荐]），然后单击“Next”（下一步）。
- 12 继续按照提示完成安装过程。

Windows 桌面将会出现，安装完毕。

### 在 Windows 95 下首次对接

- 1 对接计算机，然后开机。
- 2 在系统引导例行程序期间按 <F2> 键，或者在计算机引导后按 <Fn><F1> 组合键，打开系统设置程序。
- 3 将“Docking IRQ”（对接中断请求）设置为“Optimized”（已优化）。
- 4 将“Universal Connect”（通用连接）设置为“Enabled”（已启用）。
- 5 退出系统设置程序。


计算机将自动检测新硬件。

- 6 在“System Settings Change”（更改系统设置）窗口中单击“**Yes**”（是）。

计算机将重新启动并自动检测新硬件。

- 7 如果屏幕显示“Configuration Setup”（配置设置）窗口，请单击“**OK**”（确定）。
- 8 在“Network”（网络）窗口中单击“**OK**”（确定）。
- 9 在下一个“Network”（网络）窗口中选择“Identification”（标识）标签。
- 10 输入用于在网络中识别计算机的“Computer Name”（计算机名）和“Workgroup”（工作组），然后单击“**Close**”（关闭）。

如果您不能确定如何输入“Computer Name”（计算机名）和“Workgroup”（工作组），请向您的系统管理员咨询。

-  **注：**您必须输入“Computer Name”（计算机名）和“Workgroup”（工作组），才能继续安装驱动程序。

计算机将自动复制文件并建立一个驱动程序信息数据库。

- 11 在“System Settings Change”（更改系统设置）窗口中单击“**Yes**”（是）。


计算机将重新启动。

屏幕将显示“Enter Network Password”（输入网络密码）窗口。如果您不想在此处设置用户名和密码，或者您的系统管理员还未向您提供用户名和密码，请单击“**Cancel**”（取消）。

计算机将自动检测新硬件。

- 12 在“Configuration Setup”（配置设置）窗口中单击“**OK**”（确定）。

Windows 桌面将会出现，安装完毕。

 **注：**要使用 USB 连接器，您必须安装 ResourceCD 中 **Win95\OSUpdate** 目录下的 USB 补充文件。安装 USB 补充文件后，计算机将不能进入暂挂模式。如果您不准备使用 USB 设备，Dell 建议您不要安装 USB 补充文件。

## 在 Windows XP 和 Windows 2000 中更新驱动程序

要在 Windows XP 和 Windows 2000 中更新驱动程序，请执行以下步骤：

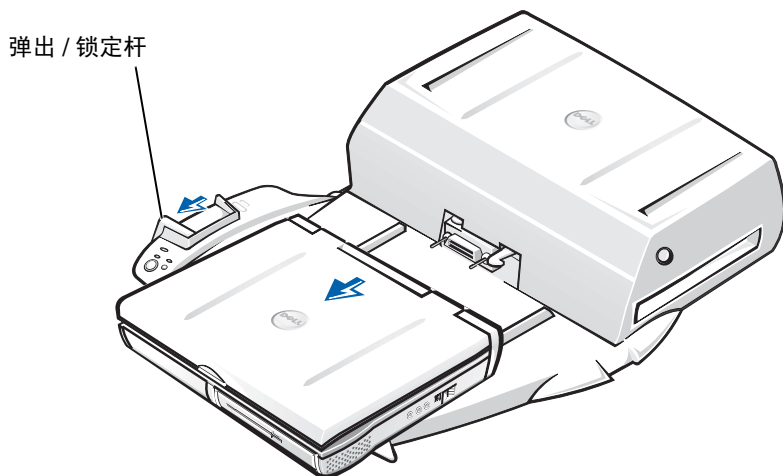
- 1 在“**My Computer**”（我的电脑）上单击鼠标右键，然后单击“**Manage**”（管理）。（在 Windows XP 中，请单击“**Start**” [开始] 按钮以访问“**My Computer**” [我的电脑]。在 Windows 2000 中，“**My Computer**” [我的电脑] 位于 Windows 桌面上。）
- 2 在“**Computer Management**”（计算机管理）窗口中单击“**Device Manager**”（设备管理器），然后双击“**Network adapters**”（网络适配器）。
- 3 双击“**3Com 3C920 Integrated Fast Ethernet Controller**”（3Com 3C920 集成快速以太网控制器）。
- 4 单击“**Driver**”（驱动程序）标签。
- 5 单击“**Update Driver...**”（更新驱动程序 ...），然后按照屏幕提示操作。

## 在 Windows Me 中更新驱动程序

要在 Windows Me 中更新驱动程序，请执行以下步骤：

- 1 在桌面的“**My Computer**”（**我的电脑**）图标上单击鼠标右键，然后单击“**Properties**”（**属性**）。
- 2 在“**System Properties**”（**系统属性**）窗口中单击“**Device Manager**”（**设备管理器**）标签，然后双击“**Network adapters**”（**网络适配器**）。
- 3 双击“**3Com 3C920 Integrated Fast Ethernet Controller**”（**3Com 3C920 集成快速以太网控制器**）。
- 4 单击“**Driver**”（**驱动程序**）标签。
- 5 单击“**Update Driver...**”（**更新驱动程序...**），然后按照屏幕提示操作。

## 断开对接计算机



- ➡ **注意：**如果计算机没有使用电池供电，则会在断开对接后关闭，同时将丢失所有未保存的数据。
- ➡ **注意：**在计算机未准备就绪时，切勿断开对接计算机。否则，您将丢失数据，并且需要数分钟才能使计算机恢复正常操作。

要准备断开对接计算机，请执行以下一项操作：

- 在计算机键盘上按 <Fn><Esc> 组合键（或在外部键盘上按 <Scroll Lock><Esc> 组合键）。  
几秒钟后，计算机上的电源指示灯将会熄灭。
- 在 Windows XP 中，单击“Start”（开始）按钮，然后单击“Undock Computer”（断开对接计算机）。

在 Windows 95、Windows 98、Windows Me 或 Windows 2000 中，单击“Start”（开始）按钮，然后单击“Eject PC”（弹出 PC）。


在 Windows NT 中，单击任务栏上的对接图标，然后单击“Undock”（断开对接），将计算机置入暂挂模式。

几秒钟后，计算机上的电源指示灯将会熄灭。

- 按下对接控制台上的请求断开对接按钮（参见图“对接控制台上的控制按钮和指示灯”）。等待绿色对接指示灯熄灭。

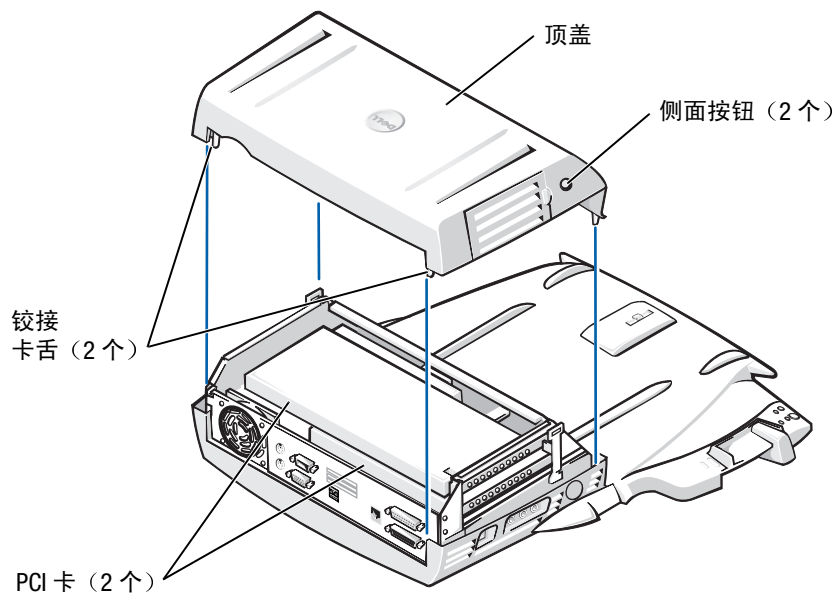
## 更换电池

对接设备使用锂离子电池。锂离子电池具有很长的使用寿命，您很有可能永远也不用更换。但是，如果您需要更换电池，请执行以下步骤：

 **警告：**未正确装入的新电池可能会有爆炸的危险。请仅使用与制造商推荐型号相同或相近的电池，并且按照制造商的说明处理废弃的电池。

- 1 按照“断开对接计算机”中的说明断开对接计算机。
- 2 关闭对接设备上的电源开关，然后断开交流适配器。
- 3 卸下顶盖：按压两侧的按钮，同时将顶盖转向扩充站后部（参见“卸下顶盖”）。转至竖直位置后，松开铰接卡舌，然后完全卸下顶盖。

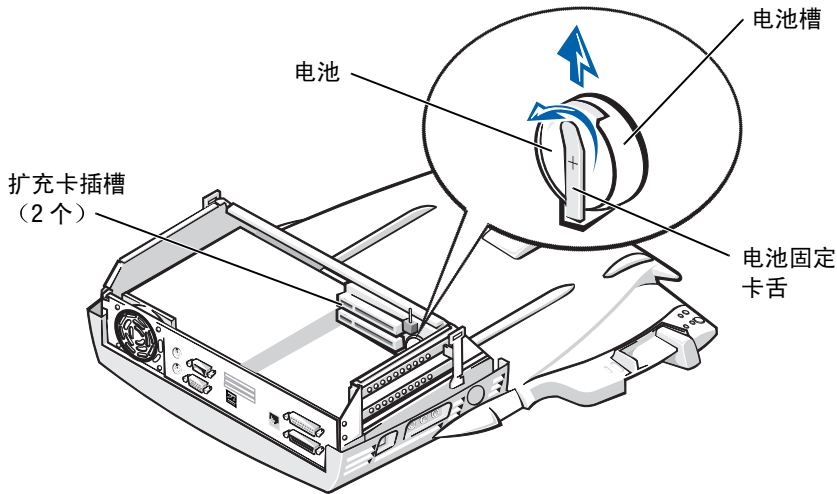
卸下顶盖



4 取出扩充卡插槽中安装的扩充卡。



## 更换电池





- 5 轻轻抬起电池固定卡舌，从电池槽中取出电池。
- 6 调整新电池的方向，使标有“+”的一面朝上，然后将电池放入电池槽并松开固定卡舌。

不要将此电池与家庭废品放在一起处理。请与当地的废品处理机构联系，获知最近的电池回收地点。

## 卸下和安装 PCI 扩充卡

要在对接设备中安装外围组件互连 (PCI) 扩充卡，请执行以下步骤。

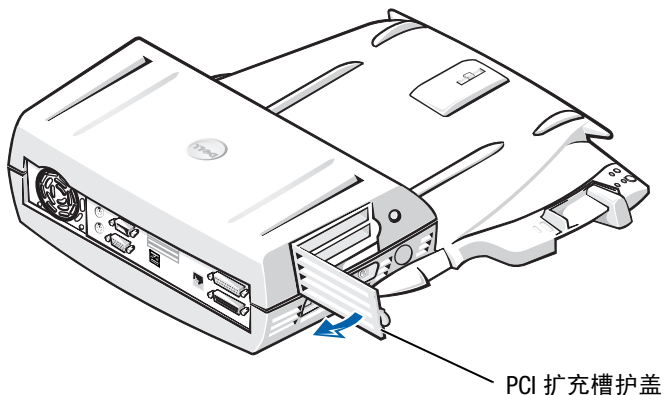
 **注：** 将不长于 10 英寸（25.4 厘米）的 3.3 V 或 5 V PCI 扩充卡安装在顶部插槽中，将不长于 6.9 英寸（15.5 厘米）的 3.3 V 或 5 V PCI 扩充卡安装在底部插槽中。

 **注意：** 除了以下过程中提到的组件外，不要触摸或处理对接设备中的其它任何组件。如果您触摸了其它组件，则可能会损坏对接设备，并且由此产生的损坏不在保修范围之内。

- 1 保存所有文件，关闭并退出所有应用程序，然后退出操作系统。
- 2 关闭计算机。
- 3 从显示器支架上移开显示器，然后从对接设备上移开显示器支架。
- 4 断开对接计算机，并将弹出 / 锁定杆保留在打开位置。

- 5 从对接设备上断开所有电缆，包括交流适配器电缆。确保弹出 / 锁定杆未处于后部 / 锁定位置。
- 6 按压 PCI 扩充槽护盖上的闩锁，取下护盖。参见下图。


PCI 扩充槽护盖和扩充卡连接器




- 7 按压两侧的按钮，将顶盖转向对接设备后部，松开对接设备后部的铰接卡舌，然后将顶盖完全卸下。  
参见图“卸下顶盖”。
- 8 拧下用于固定闲置固定支架的螺钉，并放在一边以备后用。  
卸下闲置的固定支架。如果其中装有 PCI 卡，请抓住 PCI 卡的外侧边角并从连接器中拔出。
- 9 安装 PCI 扩充卡。
  - a 将插卡的卡式边缘连接器稳固地按入扩充卡连接器。
  - b 轻轻摇动插卡，将其完全插入连接器。
- 10 将螺钉装回 PCI 卡支架，固定住 PCI 卡。
- 11 首先使铰接卡舌卡入到位，然后轻轻地将顶盖前部放入到位，装回顶盖。如果您听到侧面按钮就位时发出的咔嚓声，则表示顶盖已正确对齐。
- 12 重新连接您在步骤 5 中断开的电缆，包括交流适配器电缆。
- 13 对接计算机。

- 14 装回对接设备的显示器支架，然后将显示器放在支架上面。
- 15 打开计算机。
- 16 安装 PCI 卡的驱动程序。

如果对接设备附带了 16/4 令牌环 PCI 适配器网卡，则 Dell 会提供一张包含驱动程序和安装说明的 CD。



 **注：**如果您需要为 16/4 令牌环 PCI 适配器网卡安装网络驱动程序，请在安装驱动程序之前将计算机连接至网络。将对接设备连接至网络之前，请通知您的网络管理员。

如果您使用的 PCI 卡不是从 Dell 购买的，请使用插卡制造商提供的驱动程序和说明。


 **注：**Dell 安装的 16/4 令牌环 PCI 适配器网卡已经过检测，可用于 C/Dock II 扩充站。虽然您可以安装其它类型的 PCI 扩充卡，但 Dell 对其功能不作任何保证。

## 使用 C/Dock II 介质托架

您可以在 C/Dock II 扩充站介质托架中安装任何计算机介质设备，例如软盘驱动器或 CD 驱动器。

-  **注意：**对于在计算机中不能正常使用的介质设备，请不要将它装入对接设备介质托架，以免损坏对接设备或介质设备。
-  **注意：**不要在对接设备介质托架中安装 Dell Latitude 计算机的移动模块或电池，以免损坏对接设备。

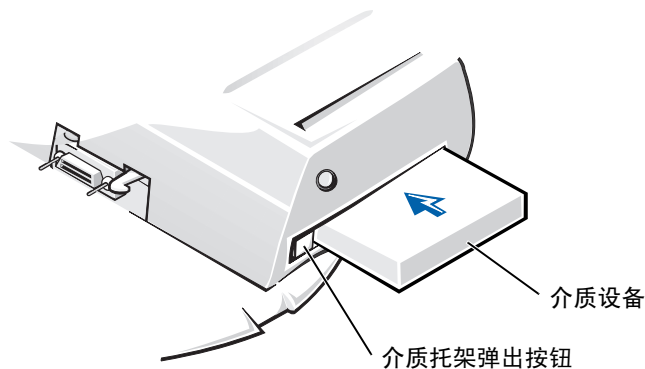
要在对接设备介质托架中安装计算机的介质设备，请执行以下步骤。

 **注：**安装介质托架设备之前，弹出 / 锁定杆必须处于打开位置。

- 1 保存所有文件，关闭并退出所有应用程序，然后退出操作系统。
- 2 关闭计算机。
- 3 取出对接设备介质托架中的介质设备。

按下介质托架弹出按钮（参见“在介质托架中安装介质设备”）。介质设备的一部分会滑出介质托架，轻轻取出设备。

### 在介质托架中安装介质设备



4 将所需的介质设备插入对接设备介质托架（参见图“在介质托架中安装介质设备”）。

5 稳固地按入设备。

如果设备正确就位，您会听到咔嗒声。

如果设备未正确就位，则它可以在介质托架中活动。请重新就位设备。

6 打开计算机。

### 在装有 Softex Docking Services 的 Windows NT 4.0 中安装介质设备

装有 Softex Docking Service 的 Windows NT 允许在介质托架中热交换设备。有关详情，请参阅 <http://support.dell.com> 站点上的“Docking With Windows NT and Softex Docking Services”（使用 Windows NT 和 Softex Docking Services 进行对接）和“Softex Docking Services User's Guide”（Softex Docking Services 用户指南）。

## C/Dock 扩充站的安全保护

### 安全保护部件

对接设备配有以下安全保护部件：

- 弹出/锁定杆，使您可以固定和弹出计算机。弹出/锁定杆位于后部时，可以将计算机固定至 C/Dock II 扩充站；位于中部时，允许您使用对接设备，但未固定；位于前部时，对接设备将弹出计算机。请将弹出/锁定杆推至后部，以便使用安全挂锁和安全锁孔。

- 弹簧门锁，位于控制台的正面，可以插入计算机底部的安全保护孔，从而将计算机固定至对接控制台。并非所有的 Dell 便携式计算机均具有安全保护孔。
- 固定的顶盖，用于防止他人拆卸外围组件互连 (PCI) 卡。
- 固定的介质托架弹出按钮，用于防止他人拆卸介质托架设备。
- 固定的门锁，用于防止他人擅自移动计算机。

## C/Dock II 扩充站的安全保护

请使用以下一种方法保护对接设备：

- 将一把挂锁或者将一把挂锁和环形安全缆线安装到对接设备上的挂锁孔（参见图“对接控制台上的控制按钮和指示灯”）。

如果只用一把挂锁，则可以锁住弹出杆，使计算机不易与对接设备分开。

如果将安全缆线缠绕在固定物体上并配合使用挂锁，则可以防止他人擅自移动计算机和 C/Dock II 扩充站。

- 将购买的防盗设备连接至对接设备上的安全锁孔（参见图“对接控制台上的控制按钮和指示灯”）。

防盗设备通常包括一段由金属丝绞成的缆线、锁设备和配套钥匙。Dell 建议您使用 Kensington 锁。有关安装此类防盗设备的说明，请参阅随设备附带的说明文件。

## Dell 诊断程序

Dell Latitude 计算机附带的 Dell 诊断程序包含多个检测程序，用来帮助您排除对接设备控制器的故障。

使用 Dell 诊断程序“**Network Interface**”（**网络接口**）检测程序组中的子检测程序，您可以检验对接设备中网络控制器的基本操作。它们用于检测控制器的内部功能，包括对其寄存器的读写访问、内部传送和接收（回送）能力。

使用“**Serial/Infrared Ports**”（**串行/红外线端口**）检测程序组中的子检测程序，您可以检查对接设备与外部设备（例如串行鼠标或打印机）之间的接口。此检测程序组中的子检测程序不能用于检测外部设备。

使用“USB”检测程序组中的子检测程序，您可以检查对接设备与外部设备（例如鼠标）之间的接口。此检测程序组中的子检测程序不能用于检测外部设备。

有关使用 Dell 诊断程序的详细说明，请参阅计算机《用户指南》。

## 技术规格

### 技术规格

#### 物理规格

##### 高度:

带显示器支架时	10.9 厘米 (4.3 英寸)
---------	------------------

无显示器支架时	10.9 厘米 (4.3 英寸)
---------	------------------

##### 厚度:

带显示器支架时	50.0 厘米 (19.7 英寸)
---------	-------------------

无显示器支架时	47.0 厘米 (18.5 英寸)
---------	-------------------

##### 宽度:

带显示器支架时	43.5 厘米 (17.1 英寸)
---------	-------------------

无显示器支架时	42.0 厘米 (16.5 英寸)
---------	-------------------

##### 重量:

带显示器支架时	5.5 千克 (12.0 磅)
---------	-----------------

无显示器支架时	4.1 千克 (9.0 磅)
---------	----------------

#### 电源

##### 交流适配器输入:

电压	100–240 VAC, 50–60 Hz
----	-----------------------

电流	1.5 A
----	-------

##### C/Dock II 扩充站输入:

电压	要求交流适配器提供 20 VDC
----	------------------

电流	3.5 A
----	-------

## 技术规格

<b>I/O</b>	
串行 (DTE)	16550 兼容型 16 字节缓冲连接器
并行	单向、双向或 ECP 连接器
PS/2	两个小型 DIN 连接器
USB	两个 USB 兼容型连接器
红外线	红外线端口与 IrDA Standards 1.1 (Fast IR) 和 1.0 兼容
音频输出	麦克风输入插孔；输入 / 音频输入插孔（用于录音 / 播放设备）；音频输出插孔（用于耳机）
SCSI	Ultra SCSI，50 针，微型 D 连接器
视频	一个连接器
网络	一个 RJ45 连接器
对接（连接至计算机）	一个连接器
<b>以太网控制器</b>	
芯片集	3Com® 3C920；10/100 BASE-TX（PC99 兼容）
数据总线宽度	32 位 PCI 主机总线接口
IRQ	IRQ10
<b>SCSI 控制器</b>	
芯片集	Adaptec AIDC 7880C
数据总线宽度	8 位 SCSI 总线；32 位 PCI 主机总线接口
数据传输速率	20 MB/ 秒
IRQ	IRQ10

## 安全与电磁兼容性 (EMC) 说明：便携式计算机

以下信息说明了其它一些符号的含义，这些符号仅在“安全与电磁兼容性 (EMC) 说明”中使用。



可能发生爆炸



飞机



可能导致起火



可能不允许在飞机上使用此功能



可能遭受电击



### 安全说明

#### 一般

- 安装对接站以用于工作时，请将其放置在平坦的表面上。
- 除非您是经授权的维修技术人员，否则请勿尝试自己维修对接站。请严格按照安装说明进行操作。
- 如果您使用延长电缆连接交流适配器，请确保延长电缆连接的所有产品的额定电流总和不超过延长电缆的额定电流。
- 不要将物体塞入计算机的通风孔或开口。否则会造成内部组件短路而导致起火或遭受电击。







- 使用交流适配器运行计算机或为电池充电时，请将交流适配器放在通风的地方，例如桌面或地板上。不要在交流适配器上放置纸张或其它物品，这样会降低适配器的冷却速度；另外，请不要在手提箱中使用交流适配器。



- 不要在潮湿的环境中使用计算机，例如浴缸、水池、游泳池旁边或潮湿的地下室内。



- 为避免受到电击，请不要在雷雨期间连接或断开任何电缆，也不要维修或重新配置本产品。切勿在雷雨期间操作计算机，除非您的计算机使用电池供电，并且已断开了所有电缆。
- 按照本说明文件中的说明，仅使用经认证可用于此对接设备的交流适配器和电池。使用其它类型的电池组或交流适配器可能会导致火灾或爆炸。
- 清洁对接站之前，请先将其关闭，并从电源插座上断开交流适配器的连接。请使用蘸水的软布清洁对接站。切勿使用液体或喷雾清洁剂，因为其中可能含有易燃物质。

## 电源（安全说明）



- 仅可使用 Dell 提供并经认证可与此对接站配合使用的交流适配器。使用其它类型的交流适配器可能会导致起火或爆炸。
- 将对接站连接至电源插座之前，请先检查交流适配器的额定电压，确保所需电压和频率与可用电源相匹配。
- 要断开计算机的电源，请关闭计算机，然后从电源插座中断开交流适配器。



- 为避免受到电击，请将交流适配器和外围设备的电源电缆插入正确接地的电源。这些电源电缆配有三脚插头，可以确保正确接地。不要使用转接插头，也不要拔下电源电缆插头的接地插脚。如果使用延长电缆，请使用适当类型的二线或三线电缆，以正确连接交流适配器电源电缆。
- 不要在交流适配器的电源电缆上放置任何物品，并将电缆置于不会被踩踏或踢到的地方。



- 如果您使用的配电盘配有多个插座，则在将交流适配器的电源电缆插入配电盘时，应小心谨慎。某些配电盘可能会允许您错误地插入电源插头。错误地插入电源插头可能会对计算机造成永久性的损坏，同时还可能会导致电击和（或）起火。请确保将电源插头的接地插脚正确插入配电盘的相应接地触点。



## 电池处理

对接设备使用锂离子电池。锂离子电池具有很长的使用寿命，您很有可能永远也不用更换。但是，如果您确实需要更换电池，请参阅本说明文件前面的“更换电池”部分。

不要将电池与家庭废品放在一起。请与当地的废品处理机构联系，获知最近的电池回收地点。

# 管制通告

电磁干扰 (EMI) 可以是任何一种信号或辐射，它散布在大气中或者通过电源电缆或信号线传送，因而会危害无线电导航或其它安全服务设施的正常工作，甚至会严重干扰、妨碍或反复中断经许可的无线电通信服务。无线电通信服务包括但不仅限于 AM/FM 商业电台、电视、蜂窝式无线电通信、雷达、空中交通管制、寻呼机和个人通信服务 (PCS)。这些经许可的服务与无意放射体（例如包括计算机在内的数字设备）一起形成了电磁环境。

电磁兼容性 (EMC) 是指各种电子设备在电子环境中共同工作的能力。本计算机的设计符合管制机构关于 EMI 的限制，但是不能保证在特定的安装环境中绝对不产生干扰。如果此设备确实对无线电通信服务造成了干扰，并且可以通过关闭和打开设备确定此干扰，请尝试以下一种或多种方法排除干扰：

- 重新调整接收天线的方向。
- 根据接收器的位置重新放置计算机。
- 将计算机移至远离接收器的位置。
- 将计算机连接至另一个电源插座，使计算机与接收器使用不同的分支电路。

如果有必要，请咨询 Dell 技术支持代表或有经验的无线电 / 电视技术人员，获得其它有益建议。

Dell 计算机经设计、检测和分类，适用于相应的电磁环境。这些电磁环境分类通常是指以下标准定义：

- A 级通常适用于商业或工业环境。
- B 级通常适用于居住环境。

计算机集成的或连接的信息技术设备 (ITE)，包括设备、扩充卡、打印机、输入 / 输出 (I/O) 设备、显示器等，必须与计算机的电磁环境分类相匹配。

**关于屏蔽信号电缆的通告：**请仅用屏蔽电缆将设备连接至任何 Dell 设备，以减少对无线电通信服务造成干扰的可能性。使用屏蔽电缆可以确保在特定的环境中维持相应的 EMC 分类。Dell 提供并行打印机电缆。如果您愿意，可以通过 WWW 站点 <http://accessories.us.dell.com/> 向 Dell 订购电缆。



Dell™ Latitude™ C/Dock II 擴充站

# 系統資訊指南

# 註、注意事項及注意



**註**：註表示可以幫助您更有效地使用您的電腦的重要資訊。



**注意事項**：注意事項表示有可能會損壞硬體或導致資料遺失，並告訴您如何避免發生此類問題。



**注意**：注意表示可能會導致財產損壞、人身受傷或生命危險。

---

本文件中的資訊如有更改，恕不另行通知。

© 2001 年 Dell Computer Corporation。版權所有，翻印必究。

未經 Dell Computer Corporation 的書面許可，不准以任何形式進行複製。

本文件中使用的商標：Dell、DELL 徽標、Latitude 和 DellWare 是 Dell Computer Corporation 的商標；3Com 是 3Com Corporation 的商標；Microsoft、Windows 和 Windows NT 是 Microsoft Corporation 的註冊商標。

本文件中述及的其他商標和商業名稱可能指擁有相應商標和名稱的公司實體或其產品。Dell Computer Corporation 對本公司之外的商標和產品名稱不擁有任何專利權。

此產品結合了版權保護技術，該技術受某些美國專利的方法聲明權及 Macrovision Corporation 和其他權利所有者所擁有的智慧產權之保護。使用此版權保護技術必須得到 Macrovision Corporation 的授權。此產品專供家庭及其他有限檢視使用，除非 Macrovision Corporation 另行授權。嚴禁還原工程或反組譯。

2001 年 10 月 P/N 4G279 Rev. A01

# 系統資訊指南

本文件包含有關 Dell Latitude C/Dock II 擴充站的開始使用、安全、管制和保固資訊，以及有關其他可提供的 Dell 文件和如何獲得這些文件的資訊。


## 其他可提供的文件

- 說明文件之更新資訊。說明文件之更新資訊有時會包括在您的連線裝置中，用於描述連線裝置或軟體的變更。請在閱讀其他說明文件之前，先閱讀這些更新的資料，因為其中往往包含了最新的資訊。
- 若您是另購選件，則該選件的說明文件也將包括在內。這些說明文件包括了您在連線裝置中組態及安裝這些選件所需的資訊。


## 獲得幫助

如果您的連線裝置未如預期般執行，Dell 會提供許多協助您的工具。若要獲得有關這些輔助工具的資訊，請參閱電腦的使用者指南中的「獲得幫助」章節。

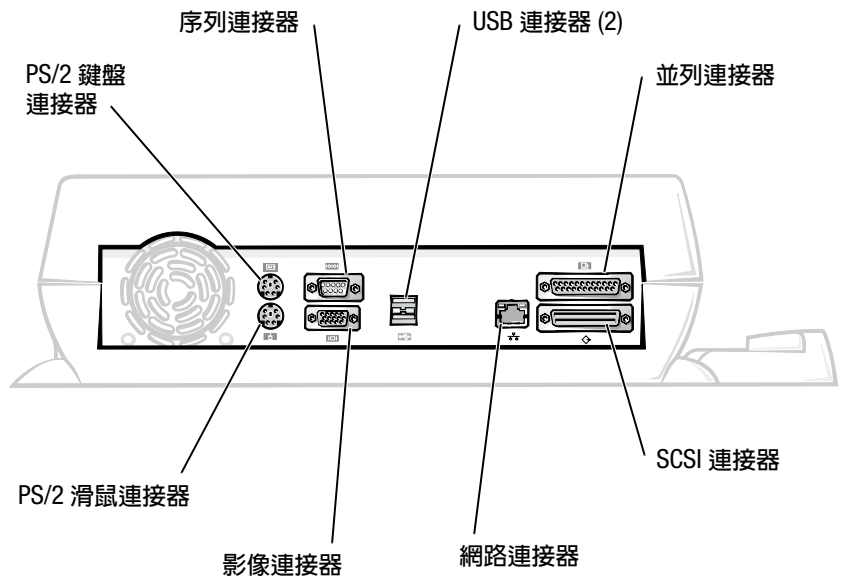
## 連線裝置概觀

 **註：**在您将連線裝置連接至網路之前，請警示網路管理員。

您必須先將一個交流電變壓器連接至連線裝置，然後才能將電腦與連線裝置連線並開機。交流電變壓器可同時為連線裝置和電腦供電。在您使用連線裝置時，電腦中安裝的所有電池均會進行充電。

 **注意事項：**請務必使用連線裝置隨附的 Dell PA-6 交流電變壓器。如果您使用任何從市面上購買的其他交流電變壓器，或舊的 Dell 電腦機型使用的交流電變壓器，極有可能會損壞連線裝置或電腦。









### 連線裝置的 I/O 面板



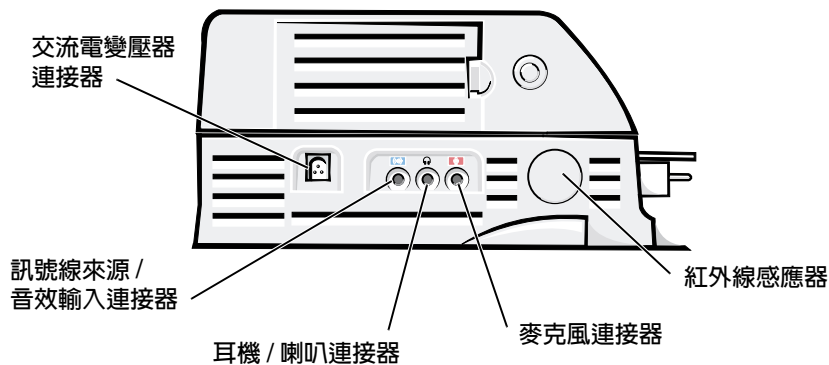
「外接式 I/O 連接器」表顯示了連線裝置背面各個連接器的圖示，並說明了可連接至各個連接器的外接式裝置類型。



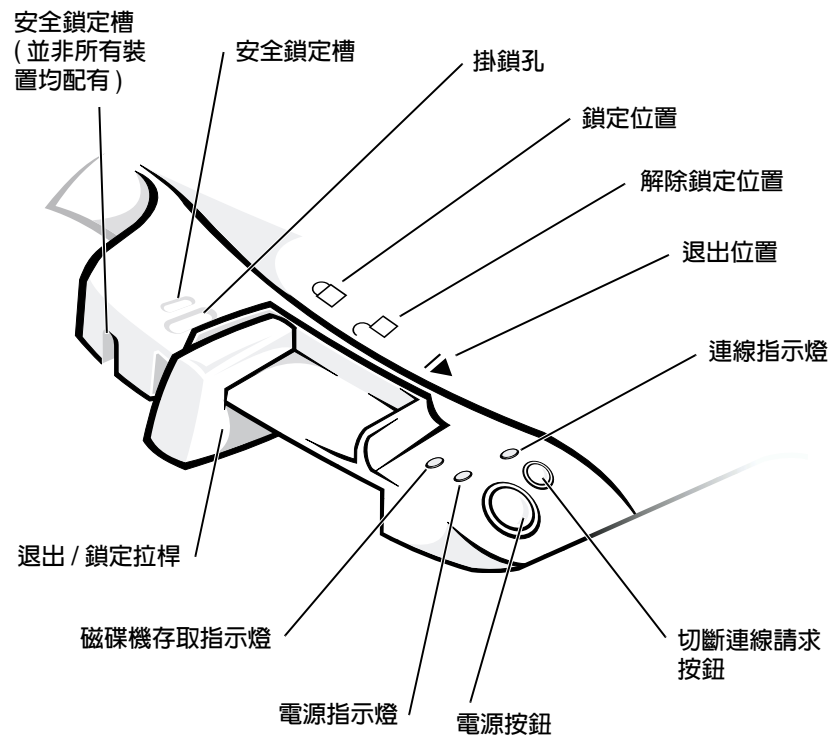
## 外接式 I/O 連接器

連接器圖示	連接器描述
	一個或兩個 USB 裝置 (例如 USB 滑鼠) 連接至雙 USB 連接器。
	外接式 PS/2 型鍵盤或外接式數字鍵台連接至 PS/2 鍵盤連接器。
	外接式 PS/2 相容型滑鼠連接至 PS/2 滑鼠連接器。
	序列裝置 (例如序列滑鼠或外接式數據機) 連接至序列埠連接器。
	網路介面電纜連接至 NIC 連接器。
	並列裝置 (例如印表機) 連接至並列埠連接器。
	外接式顯示器連接至影像連接器。
	連線裝置隨附的交流電變壓器連接至交流電變壓器連接器。

## 音效連接器和紅外線感應器



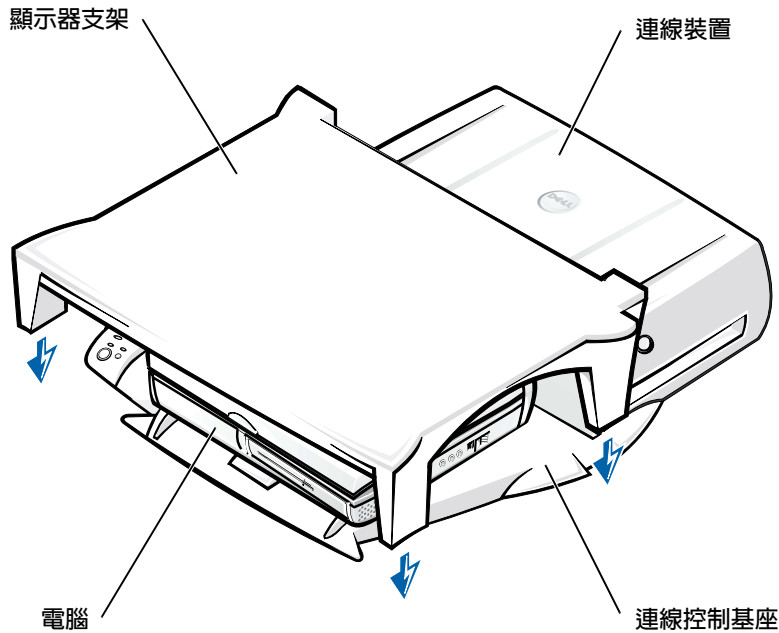
### 連線控制基座上的控制鈕和指示燈



### 顯示器支架

- ➡ **注意事項：**該支架可承受重達 45.3 公斤 (kg) (100 磅 [lb]) 的顯示器。超過此重量的顯示器可能會損壞支架、電腦及連線裝置。

## 配有顯示器支架的連線裝置



 註：請確定顯示器支架的後支腳固定在連線控制基座兩側的槽口中。

## 將電腦連線之前

如果您的電腦執行的是 Microsoft® Windows® 9x、Windows NT® 或 Windows Millennium (Me) 作業系統，您必須先檢查電腦是否裝有連線驅動程式。如果您的電腦中沒有連線驅動程式，請在第一次將電腦連線之前，先安裝連線驅動程式。若要安裝連線驅動程式，請執行「安裝連線驅動程式」中的步驟。

 註：如果您的電腦執行的是 Windows XP 或 Windows 2000 作業系統，則系統會自動安裝驅動程式，並且您無需執行「安裝連線驅動程式」中的步驟。請參閱「將電腦連線」。

## 檢查電腦是否裝有連線驅動程式

- 1 連按兩下**我的電腦**。
- 2 連按兩下**控制台**。
- 3 連按兩下**新增 / 移除程式**。
- 4 在程式清單中尋找正確的連線驅動程式。

對於 Windows 9x 和 Windows Me，檢查名稱中帶有 **Quick Install (快速安裝)** 的驅動程式。例如：Dell Dock Quick Install for Windows。

對於 Windows NT，檢查 **NT Softex Docking Services (NT Softex 連線服務)**。

如果您的電腦沒有連線驅動程式，請參閱下一章節「安裝連線驅動程式」。如果您的電腦具有連線驅動程式，請參閱「將電腦連線」。

## 安裝連線驅動程式

您可以使用以下其中一種方法安裝連線驅動程式：

- 從您電腦或連線裝置隨附的 ResourceCD 或驅動程式和公用程式 CD 安裝驅動程式。
- 從 Dell 支援 Web 站台下載驅動程式。

### 從 ResourceCD 或驅動程式和公用程式 CD 安裝連線驅動程式

- 1 將 ResourceCD 或驅動程式和公用程式 CD 插入光碟機。

在大多數情況下，CD 應自動開始執行。如果沒有自動執行，請啟動 Windows 檔案總管，單按光碟機目錄以顯示 CD 內容，然後連按兩下 **autorcd** 應用程式檔。如果歡迎使用螢幕出現，請單按 **Next (下一步)**。在您第一次執行該 CD 時，它可能會提示您安裝某些設定檔。單按 **OK (確定)**，然後按照螢幕上的指示繼續進行。

- 2 在工具列的 **Language (語言)** 下拉式選單中，為驅動程式選擇您喜好的語言 (如果有的話)。

歡迎使用螢幕將會出現。

- 3 單按 **Next**。

- 4 在 Search Criteria ( 搜尋條件 ) 下，從 System Model ( 系統機型 ) 和 Operating System ( 作業系統 ) 下拉式選單中選擇適當的類別。

如果您的系統執行的是 Windows 9x 或 Windows Me，請從 Device Type ( 裝置類型 ) 下拉式選單中選擇 System Utilities ( 系統公用程式 )，然後從 Topic ( 主題 ) 下拉式選單中選擇 Drivers ( 驅動程式 )。

如果您的系統執行的是 Windows NT，請從 Device Type 下拉式選單中選擇 System Utilities，然後從 Topic 下拉式選單中選擇 Utilities ( 公用程式 )。

螢幕上將會出現您電腦使用的特定驅動程式或公用程式之連結。

- 5 如果您的系統執行的是 Windows 9x 或 Windows Me，請單按 Dell Dock QuickInstall (Dell 連線快速安裝) 公用程式的連結。

Dell Dock QuickInstall 檔案是一種公用程式，用於將所需的連線驅動程式安裝在您的電腦上。

如果您的電腦執行的是 Windows NT，請單按 Softex Docking Services (Softex 連線服務) 的連結。

- 6 單按 Install ( 安裝 ) 按鈕以啟動自動安裝。在歡迎使用螢幕上，按照螢幕提示完成安裝。



註：某些 ResourceCD 可能會要求使用者瀏覽資料夾以獲得正確的驅動程式。若要獲得有關重新安裝驅動程式的完整指示，請參閱您的使用者指南。

## 從 Dell 支援 Web 站台安裝連線驅動程式

- 1 瀏覽 Dell 支援 Web 站台 (<http://support.dell.com>)。如果您是第一次瀏覽 Web 站台，請單按螢幕上顯示的地圖來指定您的國家。

Welcome to [support.dell.com](http://support.dell.com) ( 歡迎光臨 [support.dell.com](http://support.dell.com) ) 網頁將會開啓。

- 2 輸入您的連線裝置資訊，然後單按 Go! ( 執行! )。

單按 Downloads For Your Dell ( 爲您的 Dell 電腦下載 )。

螢幕上將會出現 Downloads For Your Dell 視窗，其中包含一個要您填寫的小表單。

- 3 輸入您系統的服務標籤號碼，或選擇您的 Dell 系統。
- 4 選擇您的作業系統和作業系統語言。

- 5 選擇 **System and Configuration Utilities (系統和組態公用程式)** 作為下載類別。
- 6 單按 **Go!**。
- 7 如果您的電腦執行的是 Windows 9x 或 Windows Me，請尋找並單按 **Dell Dock QuickInstall** 公用程式的連結。  
如果您的電腦執行的是 Windows NT，尋找並單按 **Softex Docking Services** 的連結。
- 8 按照螢幕上的指示進行下載並安裝所需的驅動程式。  
在您下載檔案之後，並在您安裝驅動程式之前，請務必檢視下載檔案所隨附的 **readme.txt** 檔案，以瞭解有關安裝的重要資訊。

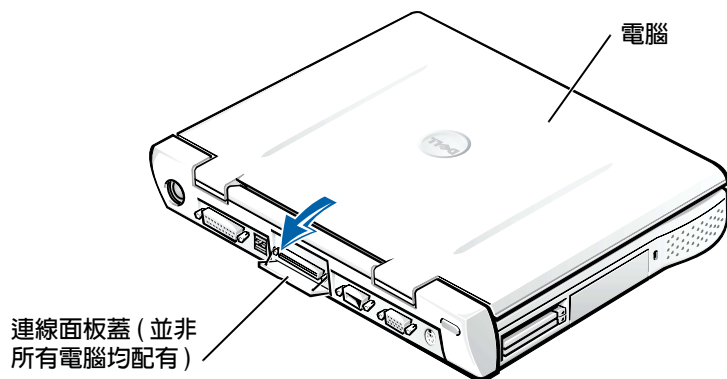
## 將電腦連線

如果您將顯示器連接至連線裝置並開啓它，則顯示器上會出現螢幕影像。若要將影像切換至電腦顯示幕，或讓影像同時顯示在顯示器和電腦顯示幕上，請按下 <Fn><F8>。

在您將電腦與連線裝置連線並開啓電腦電源時，連線控制基座上的綠色電源指示燈會亮起 (請參見「連線控制基座上的控制鈕和指示燈」)。

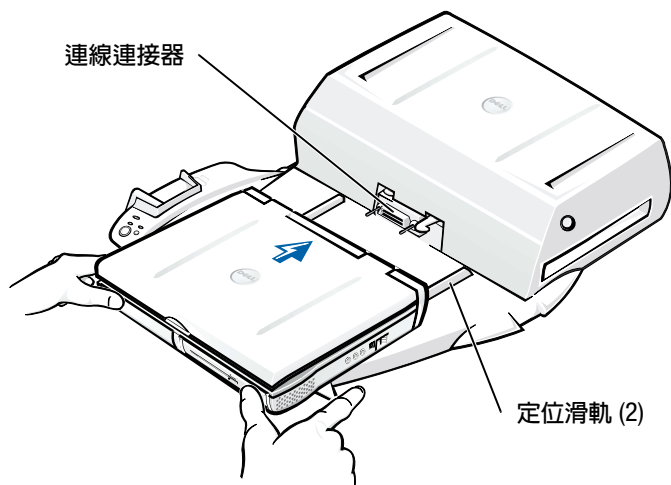
- ➡ **注意事項：** 為避免遺失資料，請先儲存所有開啓的檔案，然後再將電腦連線。
- ➡ **注意事項：** 如果連線裝置中安裝了週邊元件連接標準 (PCI) 影像卡，請先關機，然後再進行連線或切斷連線，以避免資料遺失。
  - 1 儲存所有檔案，關閉並結束所有應用程式，然後結束作業系統並關閉電腦電源。
- ➡ **注意事項：** 為避免損壞連線連接器，請先打開連線面板蓋，然後再嘗試將電腦與連線裝置連線。
  - 2 如果電腦具有連線面板蓋，請打開電腦背面的連線面板蓋。

## 電腦上的連線面板蓋




- 3 如果您使用配有顯示器支架的連線裝置，請合上電腦顯示幕。
- 4 請確定退出 / 鎖定拉桿處於解除鎖定位置。
- 5 如下所述將電腦與連線裝置連線：


## 將電腦連線




- a 將電腦水平放置在連線裝置平台的中間位置，使電腦背面朝向連線裝置的連線連接器，如「將電腦連線」所示。

b 將電腦朝著連接器滑動，直至您感覺到電腦底部的凹線與定位滑軌接合。

 **注意事項：**如果未接合定位滑軌便將電腦強行推入連線裝置，則可能會永久地損壞電腦中的連線連接器。

 **注意事項：**在電腦與連線裝置連線時，請不要單獨提起其中一個，這樣可能會損壞電腦和連線裝置上的連接器。

 **注意事項：**如果您使用配有顯示器支架的顯示器，請先從支架上卸下顯示器，然後再將連線控制基座移動到位。


c 輕輕推入電腦，直至連線連接器完全接合。

### 使用 Windows XP 和 Windows 2000 進行第一次連線

- 1 將電腦連線並開啓電腦電源。
- 2 在系統開機程序期間按下 <F2> 以檢視系統設定程式。
- 3 將 Docking IRQ ( 連線 IRQ) 設定爲 Optimized ( 最佳化)。
- 4 將 Universal Connect ( 通用連接) 設定爲 Enabled ( 開啓)。
- 5 結束系統設定程式。

系統將繼續執行開機程序。

在 Windows 2000 中，螢幕上將會出現**新增硬體精靈**視窗。

 **註：**在 Windows XP 中，作業系統將會在背景中自動安裝驅動程式。在 Windows 2000 中，新增硬體精靈將會自動安裝驅動程式。

 **註：**若要在 Windows XP 和 Windows 2000 中重新安裝驅動程式或確定是否安裝了最適用的驅動程式，請參閱本文件後面的「在 Windows XP、Windows 2000 或 Windows Me 中更新驅動程式」。

### 使用 Windows Me 進行第一次連線

- 1 將電腦連線並開啓電腦電源。
- 2 在系統開機程序期間按下 <F2> 以檢視系統設定程式。
- 3 將 Docking IRQ 設定爲 Optimized。
- 4 將 Universal Connect 設定爲 Enabled。



- 5 結束系統設定程式。  
系統將繼續執行開機程序。  
螢幕上將會出現**新增硬體精靈**視窗。
- 6 選擇**搜尋裝置的最適用的驅動程式 - 建議使用**，然後單按下一步。
- 7 單按下一步。
- 8 按照**新增硬體精靈**視窗上的提示進行。
- 9 在系統提示時，選擇**搜尋裝置的最適用的驅動程式 - 建議使用**，然後單按下一步。
- 10 按照提示繼續進行以完成安裝。

螢幕上將會出現 Windows 桌面，安裝至此即已完成。

## 使用 Windows NT 4.0 進行第一次連線

- 1 將電腦連線並開啓電腦電源。
- 2 在系統開機程序期間按下 <F2>，或在電腦啓動後按下 <Fn><F1> 以檢視系統設定程式。
- 3 將 Docking IRQ 設定爲 Optimized。
- 4 將 Universal Connect 設定爲 Enabled。
- 5 結束系統設定程式。
- 6 按下 <Ctrl><Alt><Del> 以登入系統。  
螢幕上會出現**連線站安裝程式**視窗，表示電腦必須切斷連線才能繼續進行。
- 7 單按**確定**，然後等待電腦電源關閉。
- 8 切斷電腦連線 (請參閱「切斷電腦連線」)。  
電腦會自動重新啓動。如果電腦沒有自動重新啓動，請開啓電腦電源。
- 9 在**移除裝置**視窗中選擇**確定**。
- 10 單按**開始**並選擇**關機**。

- 11 等待電腦電源完全關閉，然後將電腦與連線裝置重新連線。  
電腦會自動重新啓動。如果電腦沒有自動重新啓動，請開啓電腦電源。
- 12 按下 <Ctrl><Alt><Del> 以登入系統。  
電腦將自動偵測新的裝置。
- 13 在系統提示時，選擇**爲選定的裝置安裝系統提供的驅動程式 (建議使用)**，然後單按**確定**。
- 14 在 **Windows NT 安裝程式**視窗中，單按**繼續**。
- 15 選擇**爲選定的裝置安裝系統提供的驅動程式 (建議使用)**，然後單按**確定**。
- 16 在下拉式選單中選擇您的網路介面控制器 (NIC) 名稱。
- 17 選擇網路配接卡是否要從伺服器獲得一個 IP 位址，或者是否要指定一個 IP 位址。  
如果您不知道如何選擇，請與您的系統管理員聯絡。
- 18 按照提示進行以完成安裝。

螢幕上將會出現 Windows 桌面，安裝至此即已完成。

連線後，電腦將無法進入狀態保存模式。

## 使用 Windows 98 進行第一次連線

- 1 將電腦連線並開啓電腦電源。
- 2 在系統開機程序期間按下 <F2>，或在電腦啓動後按下 <Fn><F1> 以檢視系統設定程式。
- 3 將 Docking IRQ 設定爲 Optimized。
- 4 將 Universal Connect 設定爲 Enabled。
- 5 結束系統設定程式。
- 6 如果螢幕上出現**組態設定**視窗，請單按**確定**。  
螢幕上將會出現**新增硬體精靈**視窗。
- 7 單按**下一步**。
- 8 選擇**搜尋裝置的最適用的驅動程式 - 建議使用**，然後單按**下一步**。

- 9 移除每個選項旁邊的核取標記，然後單按下一步。

螢幕上將會出現一個視窗，告訴您 Windows 已準備就緒，即將為您的裝置偵測最適用的驅動程式。

- 10 按照**新增硬體精靈**視窗上的提示進行。
- 11 在系統提示時，選擇**搜尋裝置的最適用的驅動程式 - 建議使用**，然後單按下一步。
- 12 按照提示繼續進行以完成安裝。

螢幕上將會出現 Windows 桌面，安裝至此即已完成。

### 使用 Windows 95 進行第一次連線

- 1 將電腦連線並開啓電腦電源。
- 2 在系統開機程序期間按下 <F2>，或在電腦啓動後按下 <Fn><F1> 以檢視系統設定程式。
- 3 將 Docking IRQ 設定為 Optimized。
- 4 將 Universal Connect 設定為 Enabled。
- 5 結束系統設定程式。

電腦將會自動偵測新的硬體。

- 6 在**變更系統設定值**視窗中，單按是。
- 電腦將會重新啓動並自動偵測新的硬體。
- 7 如果螢幕上出現**組態設定**視窗，請單按**確定**。
- 8 在**網路**視窗中單按**確定**。
- 9 在下一個**網路**視窗中選擇**識別資料**標籤。

- 10 輸入**電腦名稱**和**工作群組**，以便在網路上識別您的電腦，然後單按**關閉**。

如果您無法確定要輸入的**電腦名稱**和**工作群組**，請諮詢您的系統管理員。

 **註：**您必須輸入**電腦名稱**和**工作群組**才能進行驅動程式安裝。

電腦將會自動複製檔案並建立驅動程式資訊資料庫。

- 11 在**變更系統設定值**視窗中單按是。

電腦將會重新啓動。

螢幕上將會出現**請輸入網路密碼**視窗。如果您不想在此時設定使用者名稱和密碼，或如果您的系統管理員未向您提供這些資訊，請單按**取消**。

電腦將會自動偵測新的硬體。

- 12 在**組態設定**視窗中單按**確定**。

螢幕上將會出現 Windows 桌面，安裝至此即已完成。



**註：**若要使用 USB 連接器，您必須從 ResourceCD 上的 **Win95\OSUpdate** 目錄中安裝 USB 輔助驅動程式。如果您安裝了 USB 輔助驅動程式，則電腦將無法進入暫停模式。Dell 建議您不要安裝 USB 輔助驅動程式，除非您要使用 USB 裝置。

## 在 Windows XP 和 Windows 2000 中更新驅動程式

若要在 Windows XP 和 Windows 2000 中更新驅動程式，請：

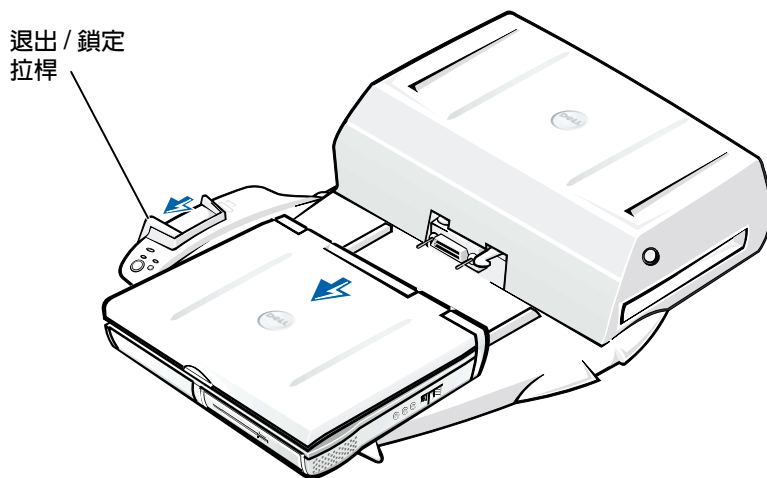
- 1 在**我的電腦**上單按滑鼠右鍵，然後單按**管理**。(在 Windows XP 中，單按**開始**按鈕以存取**我的電腦**。在 Windows 2000 中，**我的電腦**位於 Windows 桌面上。)
- 2 在**電腦管理**視窗中，單按**裝置管理員**，然後連按兩下**網路介面卡**。
- 3 連按兩下 **3Com 3C920 Integrated Fast Ethernet Controller**。
- 4 單按**驅動程式**標籤。
- 5 單按**更新驅動程式 ...** 並按照提示進行。

## 在 Windows Me 中更新驅動程式

若要在 Windows Me 中更新驅動程式，請：

- 1 在桌面上的**我的電腦**上單按滑鼠右鍵，然後單按**內容**。
- 2 在**系統內容**視窗中，單按**裝置管理員**標籤，然後連按兩下**網路配接卡**。
- 3 連按兩下 **3Com 3C920 Integrated Fast Ethernet Controller**。
- 4 單按**驅動程式**標籤。
- 5 單按**更新驅動程式 ...** 並按照提示進行。

## 切斷電腦的連線



- ➔ **注意事項：**如果沒有電池供電，在您切斷連線時電腦會關閉，並且您將遺失所有未儲存的資料。
- ➔ **注意事項：**在電腦尚未準備就緒時，切勿切斷電腦連線。如果在電腦尚未準備就緒時切斷連線，資料將會遺失並且在數分鐘內電腦將無法恢復正常作業。

若要準備切斷電腦的連線，請執行以下的其中一個步驟：

- 按下電腦鍵盤上的 <Fn><Esc> (或外接式鍵盤上的 <Scroll Lock><Esc>)。幾秒鐘之後，電腦上的電源指示燈就會熄滅。
- 在 Windows XP 中，依次單按**開始**按鈕、**切斷電腦的連線**。  
在 Windows 95、Windows 98、Windows Me 或 Windows 2000 中，依次單按**開始**按鈕、**跳出 PC**。  
在 Windows NT 中，在工作列上單按連線圖示，然後單按**卸除**以將電腦置於暫停模式。  
幾秒鐘之後，電腦上的電源指示燈就會熄滅。
- 按下連線控制基座上的切斷連線請求按鈕（請參見圖「連線控制基座上的控制鈕和指示燈」），然後等待綠色連線指示燈熄滅。

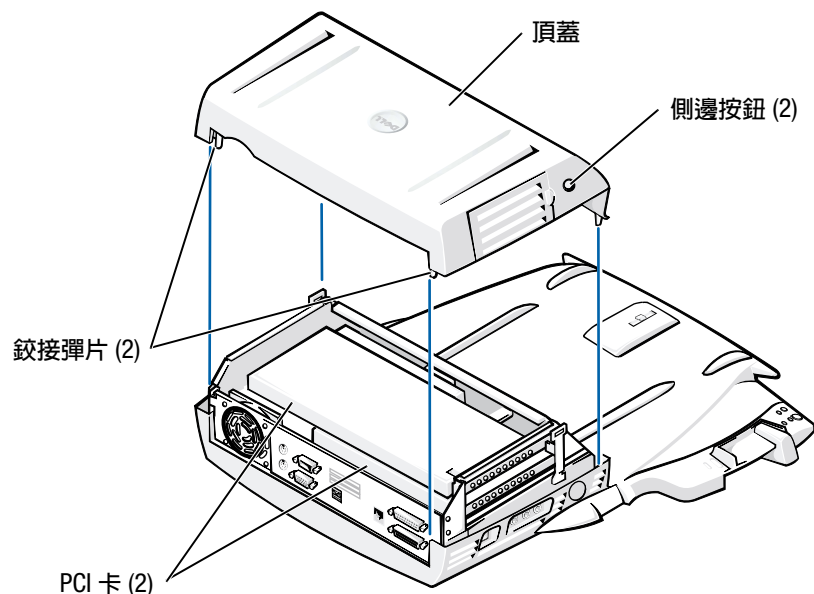
## 更換電池

您的連線裝置可以使用鋰電池。鋰電池的使用壽命很長，您很可能不需要進行更換。但是，如果您需要進行更換，請按照以下步驟進行。

**⚠ 注意：**如果新的電池未正確安裝，可能會有爆炸的危險。請僅換用相同或由製造廠商建議的同類型電池。請按照製造廠商的指示丟棄使用過的電池。

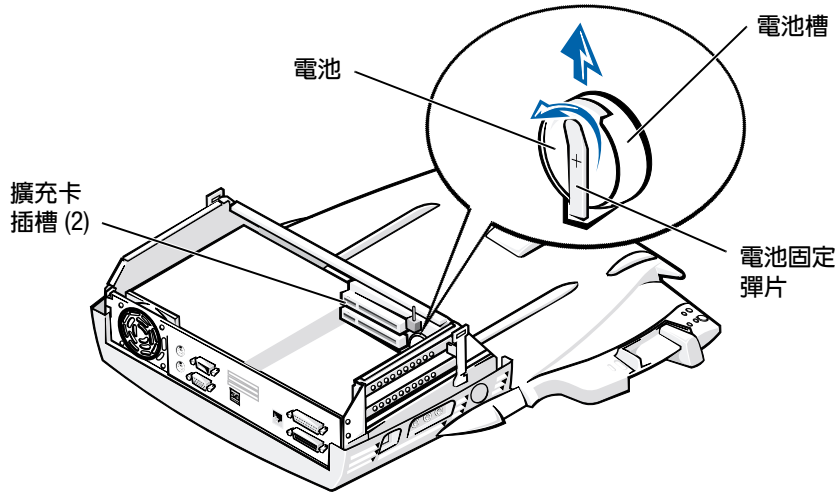
- 1 按照「切斷電腦連線」中所述，切斷電腦的連線。
- 2 關閉連線裝置上的電源切換開關，並拔下交流電變壓器的連接線。
- 3 按下兩個側邊按鈕，並向擴充站背面翻轉頂蓋，從而卸下頂蓋（請參閱「卸下頂蓋」）。在頂蓋處於垂直位置時，鬆開鉸接彈片，然後卸下頂蓋。

### 卸下頂蓋



- 4 移除擴充卡插槽上安裝的所有插卡。

## 更換電池





- 5 稍微拉起電池固定彈片，然後從電池槽中取出電池。
- 6 調整新電池的方向，使標有「+」的一面朝上。然後將電池放入電池槽中並鬆開固定彈片。

切勿將此電池與一般家居廢棄物放在一起處理。請與當地的廢物處理機構聯絡以瞭解與您最近的電池收集地點。

## 卸下和安裝 PCI 擴充卡

若要在連線裝置中安裝週邊元件連接標準 (PCI) 擴充卡，請按照以下步驟進行。

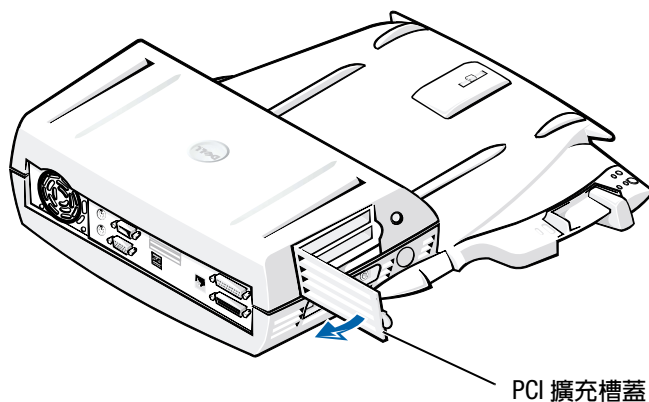
 **註：**將長度不超過 10 吋 (25.4 公分) 的 3.3 伏特 (V) 或 5 V PCI 擴充卡安裝到頂部插槽中，並將長度不超過 6.9 吋 (15.5 公分) 的 3.3 V 或 5 V PCI 擴充卡安裝到底部插槽中。

 **注意事項：**除了在以下程序中提及的元件之外，請勿觸摸或處理連線裝置內的其他元件。觸摸其他元件可能會損壞連線裝置，還有可能導致保固無效。

- 1 儲存所有檔案，關閉並結束所有的應用程式，然後結束作業系統。
- 2 關閉電腦電源。

- 3 卸下顯示器支架上的顯示器。從連線裝置上卸下顯示器支架。
- 4 切斷電腦連線，並讓退出 / 鎖定拉桿保持在解除鎖定位置。
- 5 拔下連線裝置的所有連接線 – 包括交流電變壓器連接線。確定未將退出 / 鎖定拉桿置於後部 / 鎖定位置。
- 6 按下 PCI 擴充槽蓋上的門鎖，然後卸下擴充槽蓋。請參見下圖。

#### PCI 擴充槽蓋和擴充卡連接器




- 7 按下兩個側邊按鈕，並向連線裝置背面翻轉頂蓋，從而卸下頂蓋。一旦頂蓋翻轉過來，將連線裝置背面的鉸接彈片脫開，然後您就可以完全地卸下頂蓋。  
請參見圖「卸下頂蓋」。
- 8 拆下用以固定空的安裝托架的螺絲，將螺絲放在一旁，以備稍後使用。  
卸下空的安裝托架。如果安裝了 PCI 卡，請握住插卡的外角，將它輕輕地從連接器中拔出。
- 9 安裝 PCI 擴充卡。
  - a 將插卡的插卡連接器穩固地插入擴充卡連接器。
  - b 稍微左右搖動插卡直至它插穩在連接器中。
- 10 裝回 PCI 卡托架的螺絲以固定 PCI 卡。




- 11 要裝回頂蓋，請先使鉸接彈片咬合，然後輕輕將頂蓋前端向下放，直至就位。如果您聽到側邊按鈕卡入定位的聲音，表示頂蓋安裝位置正確。
- 12 重新連接您在步驟 5 中拔下的連接線－包括交流電變壓器連接線。
- 13 將電腦連線。
- 14 將顯示器支架裝回到連線裝置上，然後將顯示器裝回到顯示器支架上。
- 15 開啓電腦電源。
- 16 安裝 PCI 卡的驅動程式。

如果 Dell 提供的連線裝置隨附 16/4 Token-Ring PCI 配接器網路卡，則其中也包括含驅動程式和安裝指示的 CD。


 **註：**如果您要安裝 16/4 Token-Ring PCI 配接器網路卡的網路驅動程式，請先將電腦連接至網路，再安裝驅動程式。在您將連線裝置連接至網路之前，請警示網路管理員。


如果您使用的不是從 Dell 購買的 PCI 卡，請使用該卡的製造廠商提供的驅動程式和指示。

 **註：**Dell 安裝的 16/4 Token-Ring PCI 配接器網路卡已通過測試，可以在 C/Dock II 擴充站使用。雖然您亦可安裝其他 PCI 擴充卡，但是 Dell 對其功能不作任何保證。


## 使用 C/Dock II 媒體凹槽

您可以在 C/Dock II 擴充站媒體凹槽中使用您電腦的任何媒體裝置，例如軟式磁碟機或光碟機。

 **注意事項：**為避免損壞連線裝置或媒體裝置，請勿在連線裝置媒體凹槽中安裝任何您通常不在電腦中使用的裝置。

 **注意事項：**為避免損壞連線裝置，請勿在連線裝置媒體凹槽中安裝 Dell Latitude 電腦的旅行用模組或電池。

若要在連線裝置媒體凹槽中安裝電腦的媒體裝置，請執行以下步驟。

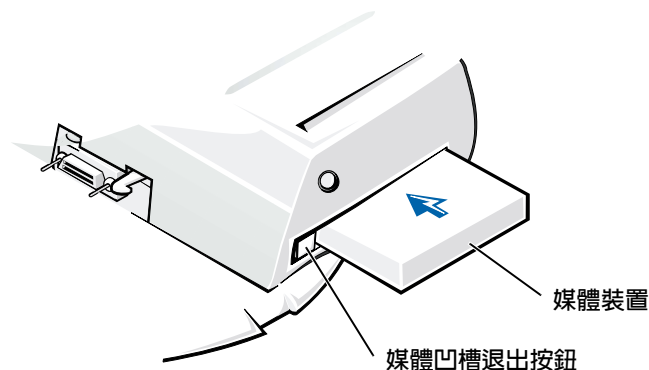
 **註：**退出 / 鎖定拉桿必須處於解除鎖定位置，您才能在媒體凹槽中安裝裝置。

- 1 儲存所有檔案，關閉並結束所有的應用程式，然後結束作業系統。
- 2 關閉電腦電源。

- 3 卸下連線裝置媒體凹槽中的任何媒體裝置。

按下媒體凹槽退出按鈕 (請參閱「在媒體凹槽中安裝媒體裝置」)。  
當裝置從媒體凹槽中滑出一部份後，請輕輕將其餘部份拉出。

#### 在媒體凹槽中安裝媒體裝置



- 4 將所需的媒體裝置插入連線裝置的媒體凹槽中 (請參見圖「在媒體凹槽中安裝媒體裝置」)。
- 5 穩固地將裝置按入凹槽中。  
在裝置正確到位時，您應會聽到一聲卡嗒聲。  
如果裝置沒有裝妥，它就無法固定在媒體凹槽中。請重新安裝裝置。
- 6 開啓電腦電源。

#### 在具有 Softex 連線服務的 Windows NT 4.0 環境中安裝媒體裝置

具有 Softex 連線服務的 Windows NT 允許您對媒體凹槽中的裝置進行熱替換。若要獲得更多資訊，請參閱「使用 Windows NT 和 Softex 連線服務進行連線」和 Softex 連線服務使用者指南 (<http://support.dell.com>)。

# 保護 C/Dock 擴充站

## 安全保護功能

連線裝置包括以下安全配件：

- 一個退出 / 鎖定拉桿，可讓您固定及退出您的電腦。後部位置可將電腦固定在 C/Dock II 擴充站上。中間位置可讓您使用連線裝置而無需固定它。前部位置可將電腦從連線裝置中退出。將退出 / 鎖定拉桿推到後部位置以使用安全掛鎖和安全鎖定槽。
- 基座正面有一個可插入電腦底部安全槽的彈簧門鎖，可以將電腦固定在連線控制基座上。並非所有 Dell 便攜式電腦均配有安全槽。
- 一個固定的頂蓋，可防止他人拆卸週邊元件連接標準 (PCI) 卡。
- 一個固定的媒體凹槽退出按鈕，可防止他人拆卸媒體凹槽中的裝置。
- 一個不可移動的固定門鎖，可防止他人未經授權拆卸您的電腦。

## 保護 C/Dock II 擴充站

請使用以下其中一種方法來保護連線裝置：

- 在連線裝置上的掛鎖孔中扣上掛鎖或同時使用掛鎖和纏繞的安全纜線 (請參見圖「連線控制基座上的控制鈕和指示燈」)。  
掛鎖可以擋住退出拉桿，防止電腦從連線裝置中鬆脫。  
纏繞在固定物件上並與掛鎖配合使用的安全纜線可以防止他人未經授權移動電腦和 C/Dock II 擴充站。
- 在連線裝置的安全鎖定槽上加裝一個市面上可買得到的防盜裝置 (請參見圖「連線控制基座上的控制鈕和指示燈」)。  
防盜裝置通常包括一段配有上鎖裝置和附帶鑰匙的金屬絞合纜線。Dell 建議您使用 Kensington 鎖。若要獲得有關安裝此類防盜裝置的指示，請參閱裝置隨附的說明文件。

## Dell 診斷程式

Dell Latitude 電腦隨附的 Dell 診斷程式中包括的測試可幫助您排除連線裝置中的控制器故障。

Dell 診斷程式中的 **Network Interface (網路介面)** 測試群組中的子測試可驗證連線裝置中網路控制器的基本作業狀態。它們可測試控制器的內部功能，包括對其暫存器進行讀寫存取、內部傳送和接收 (迴路) 的功能。

**Serial/Infrared Ports (序列 / 紅外線連接埠)** 測試群組中的子測試可檢查連線裝置與外接式裝置 (例如序列滑鼠或印表機) 之間的介面連接情況。此測試群組中的子測試不能對外接式裝置本身進行診斷測試。

**USB** 測試群組中的子測試可檢查連線裝置與外接式裝置 (例如滑鼠) 之間的介面連接情況。此測試群組中的子測試不能對外接式裝置本身進行診斷測試。

若要獲得有關使用 Dell 診斷程式的完整指示，請參閱電腦的使用者指南。

## 技術規格

### 技術規格

實體	
高度：	
帶顯示器支架	10.9 公分 (4.3 吋)
裝置本身	10.9 公分 (4.3 吋)
厚度：	
帶顯示器支架	50.0 公分 (19.7 吋)
裝置本身	47.0 公分 (18.5 吋)
寬度：	
帶顯示器支架	43.5 公分 (17.1 吋)
裝置本身	42.0 公分 (16.5 吋)
重量：	
帶顯示器支架	5.5 公斤 (12.0 磅)
裝置本身	4.1 公斤 (9.0 磅)

## 技術規格

<b>電源</b>	
交流電變壓器輸入：	
電壓	100–240 VAC，50–60 Hz
電流強度	1.5 A
C/Dock II 擴充站輸入：	
電壓	需要交流電變壓器提供 20 VDC
電流強度	3.5 A
<b>I/O</b>	
序列 (DTE)	與 16550 相容的 16 位元組緩衝區連接器
並列	單向、雙向或 ECP 連接器
PS/2	兩個微型 DIN 連接器
USB	兩個符合 USB 標準的連接器
紅外線	與 IrDA 標準 1.1 (Fast IR) 和 1.0 相容的紅外線連接埠
音效訊號線輸出	麥克風輸入插孔；訊號線來源 / 音效輸入插孔 (用於錄音 / 播放裝置)；音效訊號線輸出插孔 (用於耳機)
SCSI	Ultra SCSI，50 針，超小 D 型連接器
影像	一個連接器
網路	一個 RJ45 連接器
連線 (用於連接電腦)	一個連接器
<b>乙太網路控制器</b>	
晶片組	3Com <sup>®</sup> 3C920；10/100 BASE-TX (符合 PC99 標準)
資料匯流排寬度	32 位元 PCI 主機匯流排介面
IRQ	IRQ10
<b>SCSI 控制器</b>	
晶片組	Adaptec AIDC 7880C
資料匯流排寬度	8 位元 SCSI 匯流排；32 位元 PCI 主機匯流排介面
資料傳輸速率	20 MB/ 秒
IRQ	IRQ10

## 安全和 EMC 指示：便攜式電腦

以下資訊定義了僅在安全和電磁相容性 (EMC) 指示中使用的附加符號之含義。



有發生爆炸的危險



允許在飛機上使用



有發生火災的危險



飛機上可能禁止使用此功能



有觸電的危險



安全指示

### 一般規定

- 在安裝連線站以進行工作時，請將其放置在平坦的表面上。
- 除非您是經授權的維修技術人員，否則請勿嘗試自己維修連線站。請務必嚴格遵循安裝指示。
- 如果您使用延長電源線連接交流電變壓器，請確保與延長電源線插接的產品之總安培額定值不超過延長線的安培額定值。



- 請勿在電腦的通風口或開口處塞入任何物件，否則可能會導致內部元件短路而發生火災或觸電。



- 使用交流電變壓器為電腦供電或為電池充電時，請將交流電變壓器放在通風的位置，例如桌面或地板上。請勿用紙張或其他會影響散熱的物件蓋住交流電變壓器；另外，請勿在攜帶盒內使用交流電變壓器。



- 請勿在潮濕的環境中（例如浴缸、洗滌槽或游泳池附近，或者潮濕的地下室）使用電腦。



- 為避免觸電的潛在危險，請勿在發生雷暴時連接或拔下任何連接線，或對本產品進行維修或重新組態。除非已拔下所有連接線且電腦使用電池電能進行作業，否則請勿在發生雷暴時使用電腦。
- 請按照本文件的指示，僅使用獲准用於本連線裝置的交流電變壓器和電池。使用其他類型的電池組或交流電變壓器可能有發生火災或爆炸的危險。
- 在您清潔連線站之前，請先關閉其電源，然後從電源插座上拔下交流電變壓器的電源線。請使用蘸水的軟布來清潔連線站。切勿使用可能含易燃物質的液體或噴霧清潔劑來清潔連線站。



## 電源 (安全指示)



- 請僅使用獲准用於本連線站的 Dell 提供之交流電變壓器。使用其他交流電變壓器可能會導致發生火災或爆炸。
- 在將連線站連接至電源插座之前，請檢查交流電變壓器的電壓額定值，以確保所需的電壓和頻率與供電來源一致。
- 若要切斷電腦的電源，請關閉電腦電源，然後從電源插座上拔下交流電變壓器的電源線。



- 為防止觸電，請將交流電變壓器和週邊裝置的電源線插入已正確接地的電源。這些電源線可能配有三叉式插頭以提供接地連接。請勿使用變壓器插頭或移除電源線插頭上的接地叉腳。如果您使用延長電源線，請使用適當的電源線類型 (雙叉或三叉)，以與交流電變壓器的電源線相匹配。
- 請確定交流電變壓器的電源線上沒有放置任何物件，且不是處於會被絆倒或踩到的地方。



- 如果您使用的是多插座電源板，請小心地將交流電變壓器的電源線插入電源板。某些電源板可能會使您錯誤插接插頭。錯誤插接電源插頭可能會導致電腦永久性損壞，並會有觸電和 / 或發生火災的危險。請確定電源插頭的接地叉腳已插入電源板上相匹配的接地插座。



## 電池處理

您的連線裝置使用鋰電池。鋰電池的使用壽命很長，您很可能不需要進行更換。但是，如果您需要更換，請參閱本文件前面的「更換電池」。

切勿將電池與一般家居廢棄物放在一起處理。請與當地的廢物處理機構聯絡以瞭解與您最近的電池收集地點。

## 管制通告

電子磁性干擾 (EMI) 是在周圍空間散發，或沿電源或訊號導線傳導的任何訊號或發射，它會危及無線電導航或其他安全服務的操作，也會嚴重降低、妨礙或反覆中斷有執照的無線電通訊服務。無線電通訊服務包括但不局限於 AM/FM 商業廣播、電視、蜂巢式服務、雷達、飛行控制、傳呼機和個人通訊服務 (PCS)。這些有執照的服務和非有意的發射體 (如數位裝置，包括電腦) 共同產生了電磁環境。

電磁相容性 (EMC) 是指電子設備能夠在電子環境中正常作業的能力。儘管本電腦的設計符合管制機構對 EMI 的限制並已得到確定，但我們並不保證在個別的安裝中不會產生干擾。您可以透過關閉和開啓此設備來判斷它是否會對無線電通訊服務產生干擾；如果確實如此，建議您嘗試以下一種或多種方法來排除干擾：

- 重新調整天線的接收方向。
- 依接收器的位置，重新放置電腦。
- 將電腦移到遠離接收器的地方。
- 將電腦的電源線插至不同的電源插座，使電腦與接收器使用不同的分支電路。

如有必要，請向 Dell 技術支援代表或有經驗的無線電 / 電視技術人員諮詢，以獲得更多的建議。

Dell 電腦根據其計劃使用的電磁環境進行設計、測試，並劃分等級。通常，電磁環境的等級一致定義如下：

- A 級或甲類通常適用於商業或工業環境。
- B 級或乙類通常適用於居家環境。

整合或連接至電腦的資訊技術設備 (ITE) (包括週邊裝置、擴充卡、印表機、輸入 / 輸出 [I/O] 裝置及顯示器等)，必須符合電腦的電磁環境等級。



**關於帶保護層訊號連接線的注意事項：**請僅使用帶保護層的連接線將週邊裝置連接至所有 Dell 裝置，以降低干擾無線電通訊服務的可能性。使用帶保護層連接線可確保系統符合相應使用環境的 EMC 等級。對於並列印表機，其連接線將由 Dell 提供。您也可以透過 World Wide Web 網站 (<http://accessories.us.dell.com>) 向 Dell 訂購連接線。

## BSMI 通告 (僅限於台灣)

### BSMI 通告 (僅限於台灣)

大多數的 Dell 電腦系統被 BSMI (經濟部標準檢驗局) 劃分為乙類數位裝置。但是，使用某些選件會使有些組態的等級變成甲類。若要確定您的電腦系統適用等級，請檢查所有位於電腦底部或背面板、擴充卡安裝托架，以及擴充卡上的 BSMI 註冊標籤。如果其中有一甲類標籤，即表示您的系統為甲類數位裝置。如果只有 BSMI 的檢磁號碼標籤，則表示您的系統為乙類數位裝置。

一旦確定了系統的 BSMI 等級，請閱讀相關的 BSMI 通告。請注意，BSMI 通告規定凡是未經 Dell Computer Corporation 明確批准的擅自變更或修改，將導致您失去此設備的使用權。

此裝置符合 BSMI (經濟部標準檢驗局) 的規定，使用時須符合以下兩項條件：

- 此裝置不會產生有害干擾。
- 此裝置必須能接受所接收到的干擾，包括可能導致無法正常作業的干擾。

## 甲類

此設備經測試證明符合 BSMI (經濟部標準檢驗局) 之甲類數位裝置的限制規定。這些限制的目的是為了在商業環境中使用此設備時，能提供合理的保護以防止有害的干擾。此設備會產生、使用並散發射頻能量；如果未遵照製造廠商的指導手冊來安裝和使用，可能會干擾無線電通訊。請勿在住宅區使用此設備。

### 警告使用者：

這是甲類的資訊產品，在居住的環境中使用時，可能會造成射頻干擾，在這種情況下，使用者會被要求採取某些適當的對策。

## 乙類




此設備經測試證明符合 BSMI (經濟部標準檢驗局) 之乙類數位裝置的限制規定。這些限制的目的是爲了在住宅區安裝時，能防止有害的干擾，提供合理的保護。此設備會產生、使用並散發射頻能量；如果未遵照製造廠商的指導手冊來安裝和使用，可能會干擾無線電通訊。但是，這並不保證在個別的安裝中不會產生干擾。您可以透過關閉和開啓此設備來判斷它是否會對廣播和電視收訊造成干擾；如果確實如此，我們建議您嘗試以下列一種或多種方法來排除干擾：

- 重新調整天線的接收方向或重新放置接收天線。
- 增加設備與接收器的距離。
- 將設備連接至不同的插座，使設備與接收器連接在不同的電路上。
- 請向經銷商或有經驗的無線電/電視技術人員查詢，以獲得幫助。

Dell™ Latitude™ C/Dock II 拡張ステーション

# システム情報ガイド

# メモ、注意および警告

-  **メモ**：メモは、コンピュータを使いやすくする為の重要な情報を説明しています。
-  **注意**：注意は、ハードウェアの損傷やデータの損失の可能性を示し、その危険を回避するための方法を説明しています。
-  **警告**：警告は、物的損害、けが、または死亡の原因となる可能性があることを示します。

---

ここに記載されている内容は予告なく変更されることがあります。

© 2001 すべての著作権は **Dell Computer Corporation** にあります。

Dell Computer Corporation の書面による許可のない複写は、いかなる形態においても厳重に禁じられています。

本書で使用されている商標について：Dell、DELL のロゴ、Latitude、DellWare は Dell Computer Corporation の商標です。3Com は 3Com Corporation の商標です。Microsoft、Windows、および Windows NT は Microsoft Corporation の登録商標です。

本書では、必要に応じて上記記載以外の商標および会社名が使用されている場合がありますが、これらの商標や会社名は、一切 Dell Computer Corporation に所属するものではありません。

本製品には著作権保護技術が組み込まれており、この技術は Macrovision Corporation およびその他の権利所有者が所有する特定の米国特許およびその他の知的所有権の方法請求権によって保護されています。本著作権保護技術の使用は、Macrovision Corporation による認可を受ける必要があり、同社による認可がない限り、家庭およびその他の限られた観賞による使用を目的にしたものです。リバースエンジニアリングまたは逆アセンブリは禁じられています。

# システム情報ガイド

本書には、Dell Latitude C/Dock II 拡張ステーションについての概観、安全、および規則、ならびにその他のマニュアルやその入手方法が記載されています。

## その他のマニュアル

- マニュアルのアップデート版。ドッキングデバイスまたはソフトウェアの変更について説明するため、ドッキングデバイスに同梱されていることがあります。このアップデート版には最新の情報が含まれていますので、必ず他のマニュアルを読む前にお読みください。
- ドッキングデバイスとは別に購入した各種オプションのマニュアル。このマニュアルには、ご使用のドッキングデバイスにこれらのオプションを取り付け、設定するために必要な情報が記載されています。

## 困ったときは

Dell では、ドッキングデバイスが正しく動作しないときにアドバイスをを行ういくつかのツールを提供しています。これらのヘルプツールについては、『ユーザーズガイド』の「困ったときは」を参照してください。

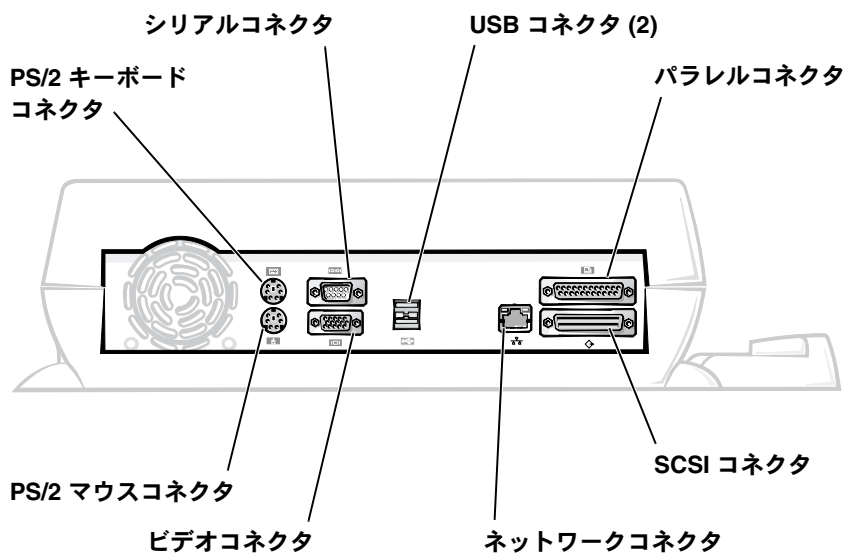
## ドッキングデバイスの概要

- ✎ **メモ**：ドッキングデバイスをネットワークに接続する前に、ネットワーク管理者に連絡してください。

最初に AC アダプタをドッキングデバイスに接続し、次にコンピュータをドッキングデバイスに接続して、コンピュータの電源をオンにしてください。AC アダプタからドッキングデバイスとコンピュータへ、同時に電源が供給されます。コンピュータにインストールされているバッテリーは、ドッキングデバイスを使用している間に充電されます。


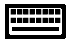


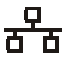



**➡ 注意：**ドッキングデバイスに同梱されている Dell PA-6 AC アダプタを必ず使用してください。市販の AC アダプタや旧型の Dell コンピュータに付属の AC アダプタを使用すると、ドッキングデバイスやコンピュータが損傷する場合があります。

### ドッキングデバイスの I/O パネル

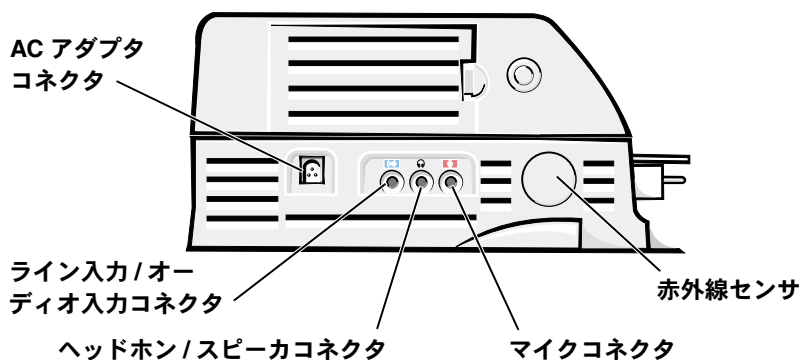


「外部 I/O コネクタ」の表では、ドッキングデバイスの背面にある各コネクタのアイコンと、各コネクタに取り付けることができる外付けデバイスのタイプを示しています。

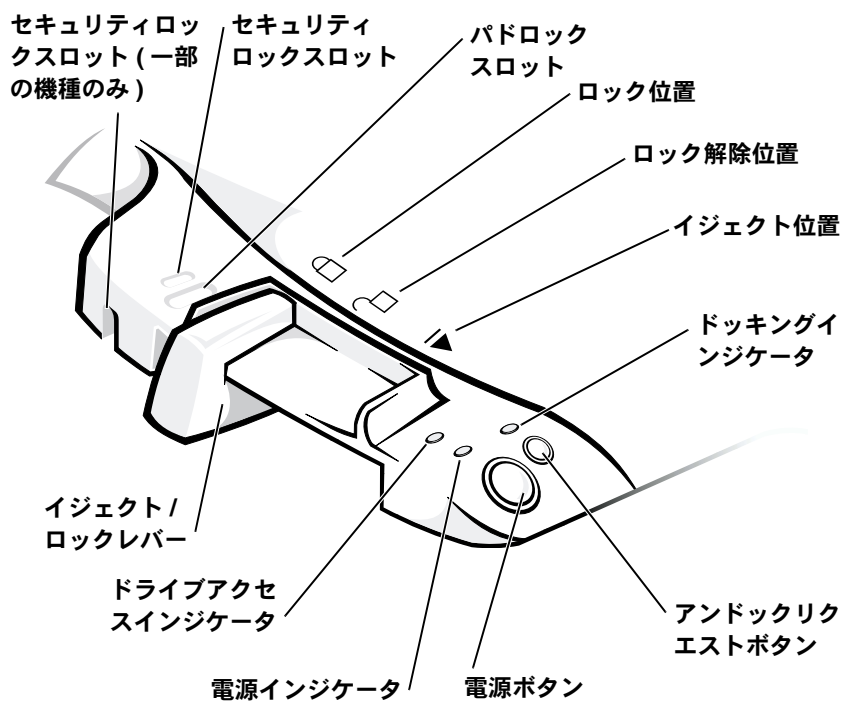
## 外部 I/O コネクタ

コネクタのアイコン	コネクタの説明
	USB マウスなどの USB デバイスを 1 つまたは 2 つ接続するデュアル USB コネクタ。
	外付け PS/2 スタイルキーボードや外付けテンキーパッドを接続する PS/2 キーボードコネクタ。
	外付け PS/2 互換マウスを接続する PS/2 マウスコネクタ。
	シリアルマウスや外付けモデムなどのシリアルデバイスを接続するシリアルポートコネクタ。
	ネットワークインタフェースケーブルを接続する NIC コネクタ。
	プリンタなどのパラレルデバイスを接続するパラレルポートコネクタ。
	外付けモニタを接続するビデオコネクタ。
	ドッキングデバイスに同梱する AC アダプタを接続する AC アダプタコネクタ

## オーディオコネクタと赤外線センサ



## ドッキングコントロールベースのボタンおよびインジケータ

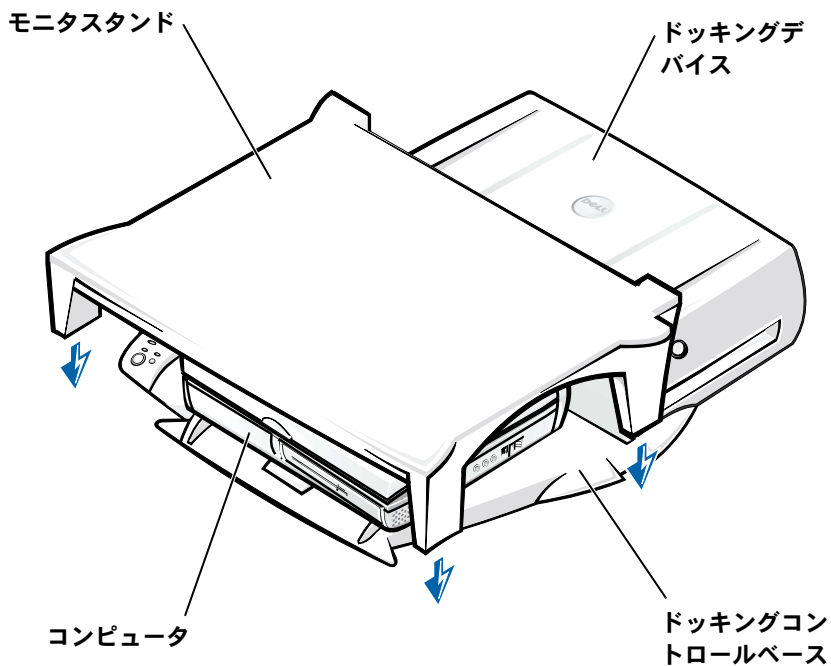


## モニタスタンド

- ➡ **注意：** スタンドに乗せることができるモニタは、最大 45.3 キログラム (kg) までです。これより重いモニタを使用するとスタンド、コンピュータ、ドッキングデバイスが損傷する恐れがあります。




## モニタスタンドをセットしたドッキングデバイス



**メモ**：モニタスタンド裏側のつめが、ドッキングコントロールベースの両側にあるスロットにきちんとはまっていることを確認してください。

## コンピュータを接続する前に

Microsoft® Windows® 9x、Windows NT®, または Windows Millennium (Me) オペレーティングシステムを使用している場合は、まずドッキングドライバがインストールされているかどうか調べる必要があります。ご使用のコンピュータにドッキングドライバがインストールされていない場合は、コンピュータを最初に接続する前に、ドッキングドライバをインストールします。ドッキングドライバをインストールするには、「ドッキングドライバのインストール」の手順に従ってください。

-  **メモ**：Windows XP または Windows 2000 オペレーティングシステムを使用している場合は、ドライバが自動的にインストールされるため、「ドッキングドライバのインストール」に記載されている手順を実行する必要はありません。「コンピュータの接続」へ進んでください。

## コンピュータにインストールされている既存のドッキングドライバの確認

- 1 [マイ コンピュータ] をダブルクリックします。
- 2 [コントロール パネル] をダブルクリックします。
- 3 [アプリケーションの追加と削除] アイコンをダブルクリックします。
- 4 プログラムリストから正しいドッキングドライバを検出します。

Windows 9x および Windows Me の場合は、名前に **Quick Install** が含まれているドライバを探します。例えば、Dell Dock Quick Install for Windows などです。

Windows NT を使用している場合は、**NT Softex Docking Services** を探します。

ご使用のコンピュータでドッキングドライバが見つからない場合は、次の項の「ドッキングドライバのインストール」へ進んでください。ドッキングドライバが見つかった場合は、「コンピュータの接続」へ進みます。

## ドッキングドライバのインストール

ドッキングドライバは、次の方法の中の 1 つを使用してインストールすることができます。

- コンピュータまたはドッキングデバイスに同梱されている ResourceCD または Drivers and Utilities CD からドライバをインストールする。
- Dell サポート Web サイトからドライバをダウンロードする。

## ResourceCD または Drivers and Utilities CD からのドッキングデバイスのインストール

- 1 ResourceCD または Drivers and Utilities CD を CD ドライブに挿入します。

通常、CD は自動的に起動します。自動的に起動しない場合は、Windows Explorer から CD ドライブを直接クリックして CD のコンテンツを表示し、**autorcd** アプリケーションファイルをダブルクリックします。初期画面が表示されたら、**[次へ]** をクリックします。この CD を初めて実行すると、セットアップに必要なファイルをインストールするように画面で指示されます。**[OK]** をクリックして、画面の指示に従ってください。

- 2 ツールバーの**[言語]**プルダウンメニューから、ドライバに適用する言語を選択します。(選択できる場合)

初期画面が表示されます。

- 3 **[次へ]** をクリックします。

- 4 **[検索基準]** の、**[システムモデル]** および **[オペレーティングシステム]** プルダウンメニューから、適切なカテゴリを選択します。

Windows 9x または Windows Me の場合は、**[デバイスの種類]** プルダウンメニューから **[System Utilities]** を選択し、次に **[トピック]** プルダウンメニューから **[デバイスドライバ]** を選択します。

Windows NT の場合は、**[デバイスの種類]** プルダウンメニューから **[System Utilities]** を選択し、次に **[トピック]** プルダウンメニューから **[ユーティリティ]** を選択します。

ご利用のコンピュータで使用できる特定のドライバまたはユーティリティへの 1 つまたは複数のリンクが表示されます。

- 5 Windows 9x または Windows Me の場合は、**Dell Dock QuickInstall** ユーティリティへのリンクをクリックします。

**Dell Dock QuickInstall** ファイルは、コンピュータに必要なドッキングドライバをインストールするユーティリティです。

Windows NT の場合は、**Softex Docking Services** へのリンクをクリックします。

- 6 **[Install]** ボタンをクリックすると、自動的にインストールが開始されます。初期画面で、画面の指示に従ってインストールを完了してください。



**メモ:** ResourceCDによっては、フォルダを移動して正しいドライバを見つけ出す必要があります。ドライバの再インストールについての詳細は、『ユーザーズガイド』を参照してください。

### Dell サポート Web サイトからのドッキングドライバのインストール

- 1 Dell サポート Web サイト、<http://support.dell.com> にアクセスします。この Web サイトに初めてアクセスする場合は、表示される地図から該当する国をクリックします。（このドライバのダウンロードは、アメリカ合衆国を指定してください。）

「Welcome to support.dell.com」ページが開きます。

- 2 ご使用のドッキングデバイス情報を入力し、**[Go!]** をクリックします。

**[Downloads For Your Dell]** をクリックします。

**[Downloads For Your Dell]** ウィンドウが表示され、入力用の短いフォームが示されます。

- 3 システムのサービスタグ番号を入力するか、ご使用の Dell システムを選択します。
- 4 ご使用のオペレーティングシステムとその言語を選択します。
- 5 ダウンロードカテゴリには、**[System and Configuration Utilities]** を選択します。
- 6 **[Go!]** をクリックします。

- 7 Windows 9x または Windows Me を使用している場合は、**Dell Dock QuickInstall** ユーティリティへのリンクを探してクリックします。

Windows NT を使用している場合は、**Softex Docking Services** へのリンクを選んでクリックします。

- 8 画面に表示される指示に従い、必要なドライバのダウンロードおよびインストールを行います。

ファイルのダウンロードが完了したら、ドライバをインストールする前に、ダウンロードしたファイルに含まれている **readme.txt** ファイルを必ずお読みください。インストールに関する重要情報が記載されています。

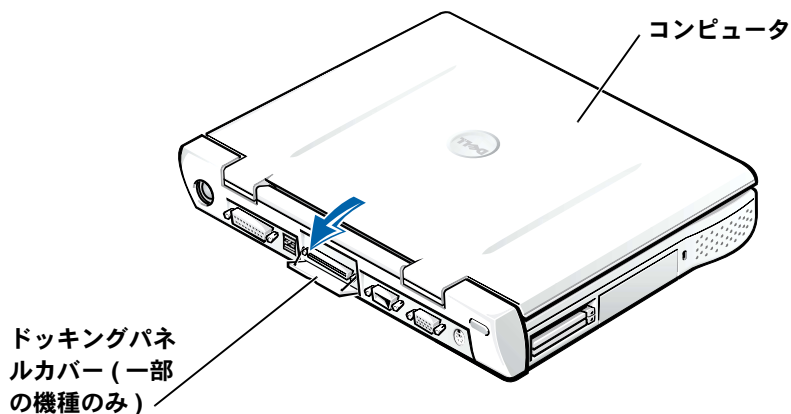
## コンピュータの接続

ドッキングデバイスにモニターを取り付けてモニターの電源をオンにすると、画面のイメージがモニターに表示されます。イメージをコンピュータのディスプレイに表示させたい場合、またはモニターとコンピュータのディスプレイ両方に表示させたい場合は、<Fn><F8>キーを押します。

ドッキングデバイスにコンピュータを接続してコンピュータの電源をオンにすると、ドッキングコントロールベースの緑色の電源ライトが点灯します（「ドッキングコントロールベースのボタンおよびインジケータ」を参照）。

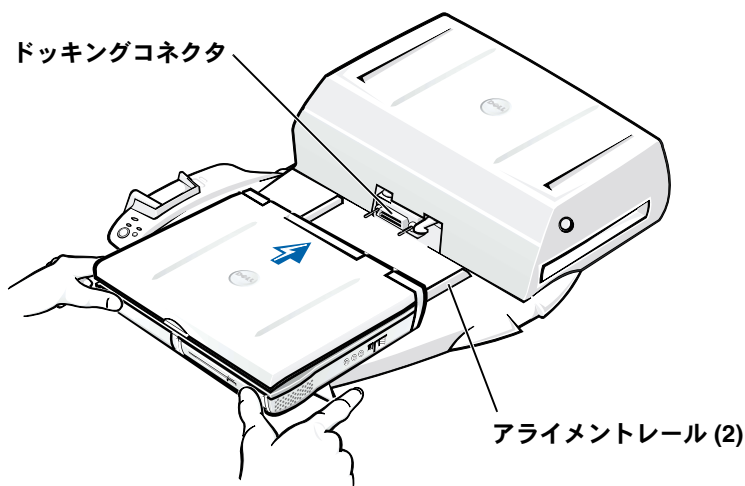
- ➡ **注意：**データの損失を防ぐために、コンピュータを接続する前に、開いているファイルをすべて保存してください。
- ➡ **注意：**ドッキングデバイスに PCI (Peripheral Component Interconnect) ビデオカードが取り付けられている場合は、データの消失を防ぐため接続または接続解除する前にコンピュータを終了する必要があります。
- 1 すべてのファイルを保存し、アプリケーションプログラムを閉じて終了します。オペレーティングシステムを終了してコンピュータの電源をオフにします。
- ➡ **注意：**ドッキングコネクタの損傷を防ぐため、ドッキングパネルカバーを開いてから、コンピュータをドッキングデバイスに接続してください。
- 2 ご使用のコンピュータにドッキングパネルカバーがある場合は、コンピュータ背面のドッキングパネルカバーを開きます。

### コンピュータのドッキングパネルカバー



- 3 モニタスタンドがセットされたドッキングデバイスを使用している場合は、コンピュータディスプレイを閉じます。
- 4 イジェクト / ロックレバーがロック解除位置にあることを確認してください。
- 5 コンピュータを次のようにドッキングデバイスに接続します。

#### コンピュータの接続



- a 「コンピュータの接続」に示されるように、コンピュータの背面をドッキングデバイスのドッキングコネクタに向けて、コンピュータをドッキングデバイスのプラットフォームの中央に水平に置きます。
  - b コンピュータの底の溝とアライメントレールがかみ合うまで、コンピュータをコネクタの方にスライドします。
- ➡ **注意：**アラインメントレールにかみ合わないままコンピュータをドッキングデバイスの奥まで押し込もうとすると、コンピュータのドッキングコネクタが損傷し、修復不可能になる場合があります。
- ➡ **注意：**コンピュータとドッキングデバイスが接続されているときは、コンピュータまたはドッキングデバイスを別々に持ち上げないでください。コンピュータとドッキングデバイスのコネクタを損傷する恐れがあります。

➡ **注意** : モニタスタンドがセットされているモニタを使用している場合は、スタンドからモニタを取り外してから、ドッキングコントロールベースを正しい位置に設置してください。


- c コンピュータをゆっくりと前に押し、ドッキングコネクタを完全にはめ込みます。


## Windows XP および 2000 でコンピュータを最初に接続する場合

- 1 コンピュータを接続し、電源をオンにします。
- 2 システムの起動中に <F2> キーを押して、セットアップユーティリティを起動します。
- 3 **[Docking IRQ]** を **[Optimized]** に設定します。
- 4 **[Universal Connect]** を **[Enabled]** に設定します。
- 5 セットアップユーティリティを終了します。

システムは起動プロセスを続行します。

Windows 2000 の場合、**新しいハードウェアの追加ウィザード**が表示されます。

 **メモ** : Windows XP の場合、オペレーティングシステムによって、バックグラウンドでドライバが自動的にインストールされます。Windows 2000 を使用している場合は、**新しいハードウェアの追加ウィザード**によってドライバが自動的にインストールされます。

 **メモ** : Windows XP および Windows 2000 で、ドライバを再インストールしたり、最適なドライバがインストールされているかどうかを確認する手順については、このマニュアルで後述する「Windows XP、Windows 2000、または Windows Me でのドライバのアップデート」を参照してください。

## Windows Me でコンピュータを最初に接続する場合

- 1 コンピュータを接続し、電源をオンにします。
- 2 システムの起動中に <F2> キーを押して、セットアップユーティリティを起動します。
- 3 **[Docking IRQ]** を **[Optimized]** に設定します。
- 4 **[Universal Connect]** を **[Enabled]** に設定します。

- 5 セットアップユーティリティを終了します。  
システムは起動プロセスを続行します。  
[ **ドッキングステーションのセットアップ** ] ウィンドウが表示され、処理を続行するにはコンピュータの接続を解除する必要がありますが示されます。
- 6 [ **使用中のデバイスに最適なドライバを検索する ( 推奨 )** ] を選択し、[ **次へ** ] をクリックします。
- 7 [ **次へ** ] をクリックします。
- 8 [ **新しいハードウェアの追加ウィザード** ] の指示に従います。
- 9 ドライバの選択ウィンドウが表示された場合は、[ **使用中のデバイスに最適なドライバを検索する ( 推奨 )** ] を選択し、[ **次へ** ] をクリックします。
- 10 続けて指示に従い、インストールを完了します。

Windows のデスクトップが表示され、インストールが完了します。

### Windows NT 4.0 でコンピュータを最初に接続する場合

- 1 コンピュータを接続し、電源をオンにします。
- 2 システムの起動処理中に <F2> キーを押すか、またはコンピュータの起動後に <Fn><F1> を押して、セットアップユーティリティを起動します。
- 3 [ **Docking IRQ** ] を [ **Optimized** ] に設定します。
- 4 [ **Universal Connect** ] を [ **Enabled** ] に設定します。
- 5 セットアップユーティリティを終了します。
- 6 <Ctrl><Alt><Del> キーを押してログオンします。  
[ **ドッキングステーションのセットアップ** ] ウィンドウが表示され、処理を続行するにはコンピュータの接続を解除する必要があることが示されます。
- 7 [ **OK** ] をクリックし、コンピュータの電源がオフになるのを待ちます。



- 8 コンピュータの接続を解除します（「コンピュータの接続解除」を参照）。  
コンピュータは自動的に再起動します。再起動しない場合は、コンピュータの電源をオンにします。
- 9 [デバイスの取り外し] ウィンドウで [OK] を選択します。
- 10 [スタート] をクリックし、[シャットダウン] を選択します。
- 11 コンピュータの電源が完全にオフになるのを待って、コンピュータをドッキングデバイスに再度接続します。  
コンピュータは自動的に再起動します。再起動しない場合は、コンピュータの電源をオンにします。
- 12 <Ctrl><Alt><Del> キーを押してログオンします。  
コンピュータは自動的に新しいデバイスを検出します。
- 13 ドライバのインストール画面が表示された場合は、[ 選択されたデバイスのシステムのドライバをインストールします (お勧めする選択) ] を選択し、[OK] をクリックします。
- 14 [Windows NT セットアップ] ウィンドウで [続行] をクリックします。
- 15 [ 選択されたデバイスのシステムのドライバをインストールします (お勧めする選択) ] を選択し、[OK] をクリックします。
- 16 ドロップダウンメニューからネットワークインタフェースコントローラ (NIC) の名前を選択します。
- 17 ネットワークアダプタがサーバから IP アドレスを取得するか、または IP アドレスを指定するかを選択します。  
どちらを選択するかが不明の場合は、システム管理者に問い合わせてください。
- 18 指示に従い、インストールを完了します。

Windows のデスクトップが表示され、インストールが完了します。

接続中、コンピュータを S2D (Suspend-to-Disk) モードにすることはできません。

## Windows 98 でコンピュータを最初に接続する場合

- 1 コンピュータを接続し、電源をオンにします。
- 2 システムの起動処理中に <F2> キーを押すか、またはコンピュータの起動後に、<Fn><F1> を押して、セットアップユーティリティを起動します。
- 3 [Docking IRQ] を [Optimized] に設定します。
- 4 [Universal Connect] を [Enabled] に設定します。
- 5 セットアップユーティリティを終了します。
- 6 [コンピュータ設定] ウィンドウが表示されたら、[OK] をクリックします。

[新しいハードウェアの追加ウィザード]が表示されます。

- 7 [次へ]をクリックします。
- 8 [使用中のデバイスに最適なドライバを検索する(推奨)]を選択し、[次へ]をクリックします。
- 9 各オプションの隣にあるチェックマークを外し、[次へ]をクリックします。

ウィンドウが現れ、Windows が使用中のデバイスに最適のドライバをインストールする準備ができたことを示します。

- 10 [新しいハードウェアの追加ウィザード]の指示に従います。
- 11 ドライバの選択ウィンドウが表示された場合は、[適切なドライバを自動的に検索する(推奨)]を選択し、[次へ]をクリックします。
- 12 続けて指示に従い、インストールを完了します。


Windows のデスクトップが表示され、インストールが完了します。

## Windows 95 でコンピュータを最初に接続する場合

- 1 コンピュータを接続し、電源をオンにします。
- 2 システムの起動処理中に <F2> キーを押すか、またはコンピュータの起動後に、<Fn><F1> を押して、セットアップユーティリティを起動します。
- 3 [Docking IRQ] を [Optimized] に設定します。

- 4 **[Universal Connect]** を **[Enabled]** に設定します。
- 5 セットアップユーティリティを終了します。  
コンピュータが自動的に新しいハードウェアを検出します。
- 6 **[システム設定の変更]** ウィンドウで **[はい]** をクリックします。  
コンピュータが再起動して、新しいハードウェアを自動的に検出します。
- 7 **[コンピュータ設定]** ウィンドウが表示されたら、**[OK]** をクリックします。
- 8 **[ネットワーク]** ウィンドウで **[OK]** をクリックします。
- 9 次の **[ネットワーク]** ウィンドウで **[ユーザ情報]** タブを選択します。
- 10 ネットワーク上でご使用のコンピュータを識別するために、**[コンピュータ名]** および **[ワークグループ]** を入力し、**[閉じる]** をクリックします。

入力する **[コンピュータ名]** および **[ワークグループ]** が不明の場合は、システム管理者に問い合わせてください。

 **メモ:** ドライバのインストールに進むためには、**[コンピュータ名]** と **[ワークグループ名]** を入力する必要があります。


コンピュータは自動的にファイルをコピーし、ドライバ情報データベースを作成します。

- 11 **[システム設定の変更]** ウィンドウで **[はい]** をクリックします。  
コンピュータが再起動します。  
**[ネットワーク パスワードの入力]** ウィンドウが表示されます。  
ここでユーザー名およびパスワードを設定したくない、または使用するユーザー名およびパスワードが管理者からまだ提供されていない場合は、**[キャンセル]** をクリックします。

コンピュータが自動的に新しいハードウェアを検出します。

- 12 **[コンピュータ設定]** ウィンドウで **[OK]** をクリックします。

Windows のデスクトップが表示され、インストールが完了します。

-  **メモ** : USB コネクタを使用するには、ResourceCD の Win95/OSUpdate ディレクトリにある USB サプリメントをインストールする必要があります。USB サプリメントをインストールすると、ご使用のコンピュータをサスペンドモードにすることができなくなります。Dell では、USB デバイスを使用する必要がない限り、USB サプリメントをインストールしないことをお勧めします。

## Windows XP および Windows 2000 でのドライバのアップデート

Windows XP および Windows 2000 でドライバをアップデートするには、以下の手順を実行します。

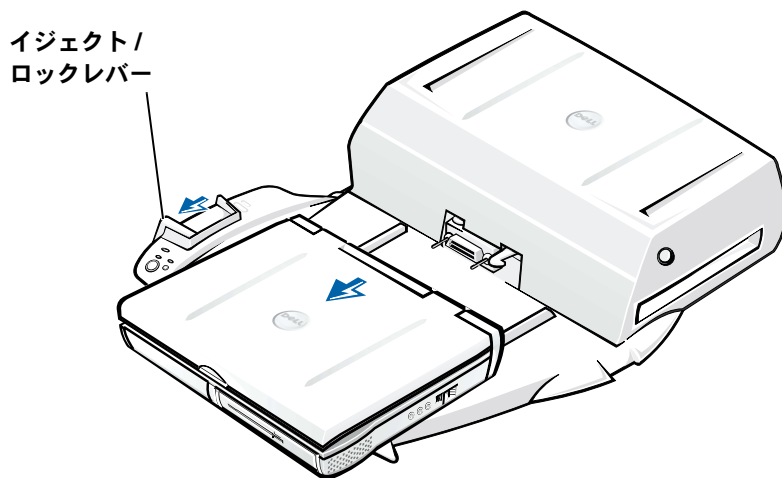
- 1 [ **マイ コンピュータ** ] を右クリックして、[ **管理** ] をクリックします。(Windows XP の場合、[ **スタート** ] ボタンをクリックして [ **マイ コンピュータ** ] にアクセスします。Windows 2000 の場合、[ **マイ コンピュータ** ] はデスクトップにあります。
- 2 [ **コンピュータの管理** ] ウィンドウで [ **デバイス マネージャ** ] をクリックし、[ **ネットワーク アダプタ** ] をダブルクリックします。
- 3 [ **3Com 3C920 Integrated Fast Ethernet Controller** ] をダブルクリックします。
- 4 [ **ドライバ** ] タブをクリックします。
- 5 [ **ドライバの更新 ...** ] をクリックし、画面の指示に従います。

## Windows Me でのドライバのアップデート

Windows Me でドライバをアップデートするには、以下の手順を実行します。

- 1 デスクトップで [ **マイ コンピュータ** ] を右クリックし、[ **プロパティ** ] をクリックします。
- 2 [ **システムのプロパティ** ] で [ **デバイスマネージャ** ] タブをクリックし、[ **ネットワークアダプタ** ] をダブルクリックします。
- 3 [ **3Com 3C920 Integrated Fast Ethernet Controller** ] をダブルクリックします。
- 4 [ **ドライバ** ] タブをクリックします。
- 5 [ **ドライバの更新 ...** ] をクリックし、画面の指示に従います。

## コンピュータの接続解除



- ➡ **注意:** バッテリー電源が切れている状態でコンピュータを接続解除すると、コンピュータの電源はオフとなり、保存されていないすべてのデータは失われます。
- ➡ **注意:** コンピュータの接続を解除する前に、必ず準備をしてください。準備をせずにコンピュータを取り外すと、データが失われ、コンピュータが数分間通常操作に戻らなくなる恐れがあります。

コンピュータでドッキングを解除する準備を行うには、以下の方法の中から1つを実行します。

- コンピュータのキーボードの <Fn><Esc> キー (外付けキーボードの場合は、<Scroll Lock><Esc> キー)を押します。  
コンピュータの電源ランプが消えるまで、2、3秒かかります。
- Windows XP の場合、[ スタート ] ボタンをクリックして [Undock Computer (ドッキング解除)] をクリックします。

Windows 95、Windows 98、Windows Me、または Windows 2000 の場合、[ スタート ] ボタンをクリックして [PC の取り出し] をクリックします。


Windows NT の場合、タスクバーのドッキングアイコンをクリックし、[ドッキング解除]をクリックして、コンピュータをサスペンドモードにします。

コンピュータの電源ランプが消えるまで、2、3秒かかります。

- ドッキングコントロールベースのアンドックリクエストボタンを押します ( 図「ドッキングコントロールベースのボタンおよびインジケータ」を参照 )。緑色のドッキングランプが消えるまで待ちます。

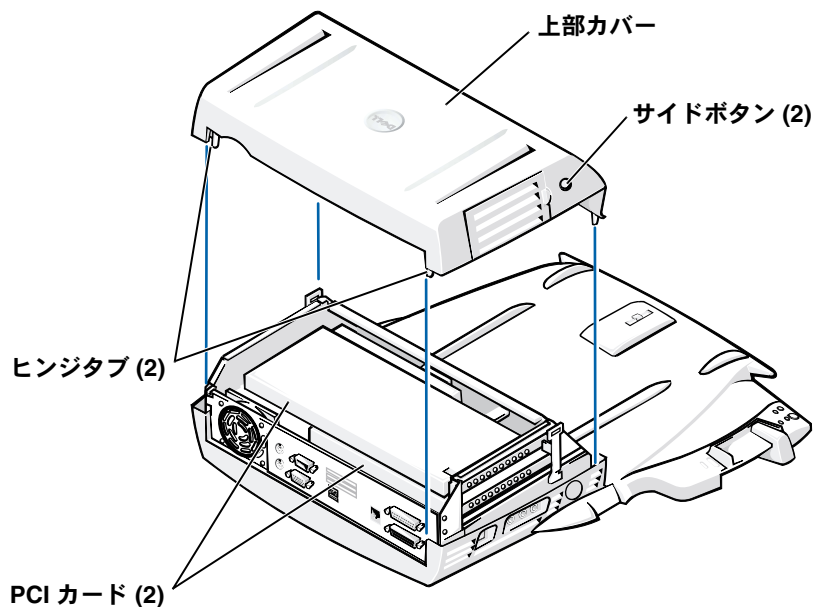
## バッテリーの交換

ドッキングデバイスはリチウムイオンバッテリーを使用しています。リチウムイオンセルバッテリーは寿命が長く、交換の必要もほとんど生じません。交換する必要がある場合は、以下の手順に従ってください。

 **警告：**バッテリーの取り付け方がまちがっていると、破裂する危険があります。バッテリーの取り替えに用いるのは、メーカーが推奨する型、または同等のものだけにしてください。古いバッテリーは、メーカーの指示に従って破棄してください。

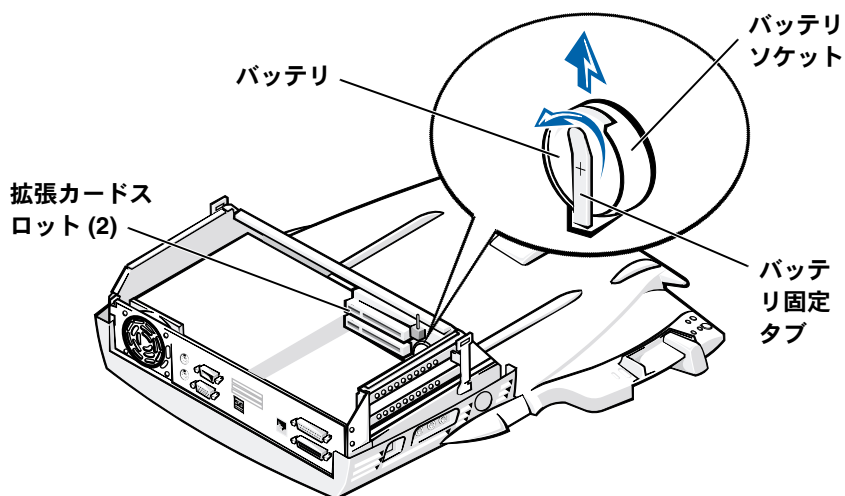
- 1 前述の「コンピュータの接続解除」の項の説明に従って、コンピュータの接続を解除します。
- 2 ドッキングデバイスの電源スイッチをオフにして、AC アダプタを取り外します。
- 3 2つのサイドボタンを押して、上部カバーを拡張ステーションの背面方向に開きます ( 「上部カバーの取り外し」 参照)。カバーが垂直に開いたら、ヒンジタブを外し、カバーを完全に取り外します。

## 上部カバーの取り外し



- 4 拡張カードスロットから取り付けられているカードをすべて取り外します。

## バッテリーの交換





- 5 バッテリー固定タブを少し持ち上げ、バッテリーをバッテリーソケットから取り外します。
- 6 「+」ラベルを上にして新しいバッテリーを持ちます。バッテリーをソケットに挿入し、固定タブを離します。

バッテリーを家庭用のゴミと一緒に廃棄しないでください。最寄りのバッテリーの廃棄場所の所在地については、市役所などの行政機関にお問い合わせください。

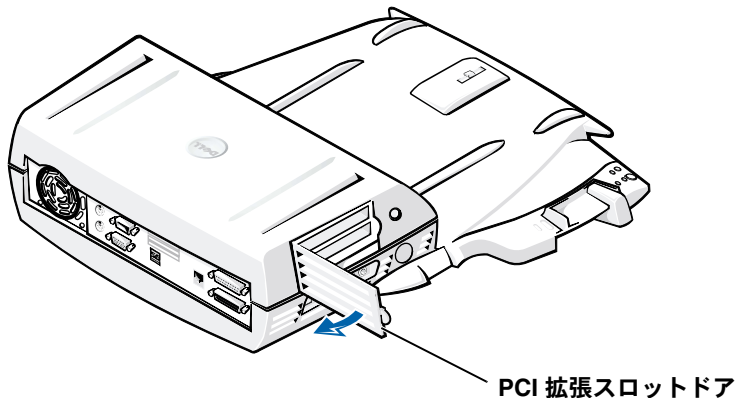
## PCI 拡張カードの取り付けと取り外し

PCI (Peripheral Component Interconnect) 拡張カードをドッキングデバイスに取り付けるには、以下の手順に従います。

-  **メモ**：長さが 10 インチ (25.4cm) 以下の 3.3V または 5V の PCI 拡張カードは最上段のスロットに取り付け、6.9 インチ (15.5cm) 以下の 3.3V または 5V の PCI 拡張カードは最下段のスロットに取り付けます。
  -  **注意**：以下の手順で説明する部位を除き、ドッキングデバイスの各部分に触れたり修理したりしないでください。指示される以外の部位に触れるとドッキングデバイスが損傷する恐れがあり、保証の対象から外れる可能性があります。
- 1 すべてのファイルを保存し、すべてのアプリケーションプログラムを終了させてから、オペレーティングシステムを終了させます。
  - 2 コンピュータの電源を切ります。
  - 3 モニタスタンドからモニタを取り外します。ドッキングデバイスからモニタスタンドを取り外します。
  - 4 コンピュータの接続を解除し、イジェクト / ロックレバーの位置を接続解除にします。
  - 5 ドッキングデバイスから、すべてのケーブル (AC アダプタケーブルを含む) を取り外します。イジェクト / ロックレバーの位置が [戻る / ロック] になっていないことを確かめます。
  - 6 PCI 拡張スロットドアのラッチを押してスロットを取り外します。以下の図を参照してください。



## PCI 拡張スロットドアおよび拡張カードコネクタ



- 7 2つのサイドボタンを押してドッキングデバイスの背面方向にカバーを開き、上部カバーを取り外します。カバーを後方に開いたら、ドッキングデバイス背面のヒンジタブを外し、上部カバーを完全に取り外します。

「上部カバーの取り外し」図を参照してください。


- 8 空の取り付けブラケットを押さえているネジを外し、保管しておきます。

空の取り付けブラケットを取り外します。PCIカードが取り付けられている場合は、カードの周囲を持って取り外し、コネクタから抜き出します。


- 9 PCI 拡張カードを取り付けます。
  - a PCI 拡張カードのカードエッジコネクタを拡張カードコネクタにしっかり挿入します。
  - b 拡張カードを左右に軽く振り、コネクタにしっかりとめ込みます。
- 10 PCI カードのブラケットにネジを締めなおし、PCI カードを固定します。

- 11 最初にヒンジタブをかみ合わせ、注意して上部カバーの前面を所定の位置に下げ、上部カバーを元に戻します。サイドボタンからカチッという音がすれば、上部カバーは正しく装着されます。
- 12 手順 5 で取り外した、ケーブル (AC アダプタケーブル) を再接続します。
- 13 コンピュータを接続します。
- 14 ドッキングデバイスにモニタスタンドを取り付け直し、モニタスタンドにモニタを取り付け直します。
- 15 コンピュータの電源を入れます。
- 16 PCI カードのドライバをインストールします。

ドッキングデバイスに 16/4 トークンリング PCI アダプタネットワークカードが付属する場合は、ドライバとインストールの指示を収録した CD が同梱されています。


 **メモ:** 16/4 トークンリング PCI アダプタネットワークカード用のネットワークドライバをインストールする際は、コンピュータをネットワークに接続してからドライバをインストールします。ドッキングデバイスをネットワークに接続する前に、ネットワーク管理者に連絡してください。


Dell 以外から購入した PCI カードを使用する場合は、そのカードの販売元が用意するドライバと指示をご使用ください。

 **メモ:** あらかじめ取り付けられている 16/4 トークンリング PCI アダプタネットワークカードは、C/Dock II 拡張ステーションで使用することを目的にテストされています。他の PCI 拡張カードを取り付けることができませんが、機能性については保証できません。

## C/Dock II メディアベイの使用

C/Dock II 拡張ステーションメディアベイでは、ご使用のコンピュータに搭載されるフロッピードライブや CD ドライブなどのメディアデバイスを使用可能です。

 **注意:** ドッキングデバイスまたはメディアデバイスの損傷を避けるため、ご使用のコンピュータで通常使用しないデバイスをドッキングデバイスメディアベイに取り付けしないでください。

 **注意:** ドッキングデバイスの損傷を避けるため、Dell Latitude コンピュータに付属の移動用モジュールまたはバッテリーをドッキングデバイスメディアベイに取り付けしないでください。

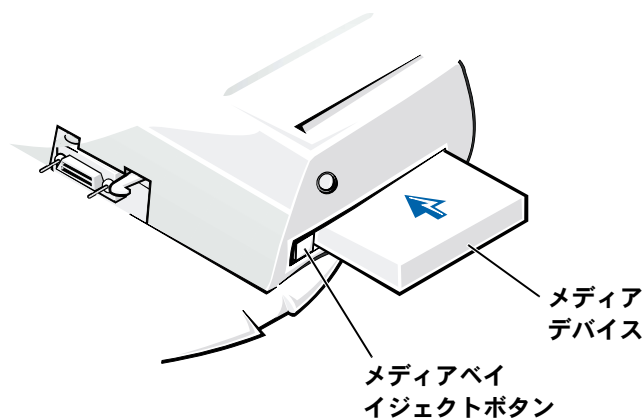
ドッキングデバイスメディアベイにコンピュータのメディアデバイスを取り付けるには、以下の手順を実行します。

**メモ：** イジェクト / ロックレバーの位置を接続解除にしてからメディアベイデバイスを取り付ける必要があります。

- 1 すべてのファイルを保存し、すべてのアプリケーションプログラムを終了させてから、オペレーティングシステムを終了させます。
- 2 コンピュータの電源を切ります。
- 3 ドッキングデバイスメディアベイからメディアデバイスを取り外します。

メディアベイイジェクトボタンを押します (「メディアベイへのメディアデバイスの取り付け」参照)。メディアベイからデバイスの一部が出てきたら、残りの部分を注意して引き出します。

#### メディアベイへのメディアデバイスの取り付け



- 4 ドッキングデバイスメディアベイに使用するメディアデバイスを挿入します (「メディアベイへのメディアデバイスの取り付け」の図を参照)。
- 5 デバイスをしっかり押し付けます。  
デバイスが正しく装着されると、カチッという音がします。  
デバイスが正しく装着されないと、メディアベイ内部でしっかり固定されません。デバイスを装着し直します。
- 6 コンピュータの電源を入れます。

## Softex Docking Services 装備の Windows NT 4.0 用メディアデバイスのインストール

Softex Docking Services 装備の Windows NT により、メディアベイからデバイスをホットスワップできます。詳細については、「Windows NT および Softex Docking Services とのドッキング」および <http://support.dell.com> の『Softex Docking Services ユーザーズガイド』を参照してください。

## C/Dock 拡張ステーションの固定

### セキュリティ機能

ドッキングデバイスには、次のようなセキュリティ機能があります。

- コンピュータの固定と取り外しを行うためのイジェクト / ロックレバー。後部位置にすると、C/Dock II 拡張ステーションにコンピュータが固定されます。中央位置では、ドッキングデバイスを固定しないで使用することができます。前部位置にすると、コンピュータをドッキングデバイスから取り外すことができます。パドロックセキュリティロックとセキュリティロックスロットを使用するには、イジェクト / ロックレバーを後部位置まで押してください。
- ベース前部にあるバネを搭載したラッチが、コンピュータの底のセキュリティスロットにはまり、コンピュータをドッキングコントロールベースに固定します。Dell のすべてのコンピュータにセキュリティスロットがあるとは限りません。
- PCI (Peripheral Card Interconnect) カードの取り外しを防止する固定された上部カバー。
- メディアベイデバイスの取り外しを防止する固定されたメディアベイイジェクトボタン。
- 不正なコンピュータの取り外しを防止する固定された取り付け用ラッチ。

## C/Dock II 拡張ステーションの固定

次の方法の中の1つを使用してドッキングデバイスを固定します。

- パドロック単体、あるいはパドロックとパドロックスロットを備えたループ状のセキュリティケーブル(「コントロールベースコントロールとインジケータの接続」を参照)をドッキングベースに使用します。

パドロック単体の場合は、イジェクトレバーを固定して、コンピュータがドッキングデバイスから外れないようにします。

固定物の回りにセキュリティケーブルを巻きつけてパドロックとともに使用することにより、コンピュータと C/Dock II 拡張ステーションが不正に動かされるのを防止することができます。

- ドッキングデバイスのセキュリティロックスロットには、市販の盗難防止装置を取り付けます(「コントロールベースコントロールとインジケータのドッキング」の図を参照)。

盗難防止装置には、通常金属を撚り合わせたケーブルに、ロック装置と鍵が付属しています。Dell では Kensington ロックを使用されることをお勧めします。このような盗難防止装置の取り付け方法については、装置に付属のマニュアルを参照してください。

## Dell 診断プログラム

Dell Latitude コンピュータに搭載されている Dell 診断プログラムには、ドッキングデバイスのコントローラのトラブルシューティングを行うのに役立つテストが含まれています。

Dell 診断プログラムの **Network Interface** テストグループのサブテストでは、ドッキングデバイス内部のネットワークコントローラの基本機能を検証します。サブテストでは、レジスタへの読み書きアクセスや、内部の転送および受信(ループバック)機能など、コントローラ内部の機能をテストします。

**Serial/Infrared Ports** テストグループのサブテストでは、ドッキングデバイスと外付けデバイス(シリアルマウスやプリンタなど)とのインタフェースを確認します。このテストグループのサブテストでは、外付けデバイス自体の診断は行いません。

**USB** テストグループのサブテストでは、ドッキングデバイスと外付けデバイス（マウスなど）とのインタフェースを確認します。このテストグループのサブテストでは、外付けデバイス自体の診断は行いません。

Dell 診断プログラムの使用方法の詳しい手順に関しては、コンピュータの『ユーザーズガイド』を参照してください。

## 仕様

### 仕様

#### 物理的仕様

##### 高さ：

モニタスタンド取り付け時	10.9cm
--------------	--------

本体のみ	10.9cm
------	--------

##### 奥行き：

モニタスタンド付き	50.0cm
-----------	--------

本体のみ	47.0cm
------	--------

##### 幅：

モニタスタンド付き	43.5cm
-----------	--------

本体のみ	42.0cm
------	--------

##### 重量：

モニタスタンド取り付け時	5.5kg
--------------	-------

本体のみ	4.1kg
------	-------

#### 電源

##### AC アダプタ入力：

電圧	100–240 VAC、50–60 Hz
----	----------------------

アンペア	1.5 A
------	-------

##### C/Dock II 拡張ステーション

##### 入力：

電圧	AC アダプタから 20 VDC 必要
----	---------------------

アンペア	3.5A
------	------

## 仕様

<b>入出力</b>	
シリアル (DTE)	16550 互換、16 バイトバッファコネクタ
パラレル	単方向、双方向、あるいは拡張機能 (ECP) ポートコネクタ
PS/2	ミニ DIN コネクタ× 2
USB	USB 対応コネクタ× 2
赤外線	IrDA 規格 1.1 (Fast IR) および 1.0 と互換性のある赤外線ポート
オーディオライン出力	マイクروفオン入力ジャック；ライン入力 / オーディオ入力ジャック (録音/再生デバイス用)；オーディオライン出力ジャック (ヘッドフォン用)
SCSI	Ultra SCSI、50 ピン、超小型 D コネクタ
ビデオ	コネクタ× 1
ネットワーク	RJ45 コネクタ× 1
ドッキング (コンピュータに接続)	コネクタ× 1
<b>Ethernet ネットワークコントローラ</b>	
チップセット	3Com <sup>®</sup> 3C920;10/100 BASE-TX (PC99 準拠)
データバス幅	32 ビット PCI ホストバスインタフェース
IRQ	IRQ10
<b>SCSI コントローラ</b>	
チップセット	Adaptec AIDC 7880C
データバス幅	8 ビット SCSI バス；32 ビット PCI ホストバスインタフェース
データ転送速度	20MB/ 秒
IRQ	IRQ10

# 安全にお使いいただくための注意および EMC に関する注意：ノートブックコンピュータ

以下は、安全にお使いいただくための注意、および EMC（電磁整合性）に関する注意でのみ使用される補足的なアイコンの意味についての定義です。



破裂の危険



飛行機



発火の危険



飛行機内で使用禁止の可能性がある機能



感電の危険



## 安全にお使いいただくための注意

### 一般条項

- ドッキングステーションを設置して作業を行う際は、ドッキングステーションを平らな面に設置してください。
- ご自身でドッキングステーションを修理しないでください。また、各種機器の取り付けに関しては、それぞれの手順に必ず従ってください。
- AC アダプタと延長ケーブルを使用する場合は、延長ケーブルに接続する機器の定格電流の合計が、ケーブルの許容定格電流を超えないことを確認してください。
- コンピュータの通気孔や開口部に異物を押し込まないでください。開口部に異物を押し込むと、内部の部品がショートして、発火や感電の原因となる場合があります。







- AC アダプタは通気の良い場所に設置してください。コンピュータに電源を供給したりバッテリーを充電する場合、アダプタは机の上や床などに設置してください。紙や、冷却効果を妨げるもので AC アダプタを覆わないでください。AC アダプタをキャリングケースに入れて使用しないでください。



- 浴槽、洗面台、プールの近くや湿気の多い地下室など、湿気のある場所ではコンピュータを使用しないでください。



- 雷雨の際は、感電の危険を避けるため、ケーブルの抜き差しや本製品の再設定は一切行わないでください。コンピュータからケーブルをすべて取り外して、バッテリー電源で使用している場合を除き、雷雨の際は、コンピュータを使用しないでください。

- このマニュアルに示されているドッキングデバイスとの使用が承認されている AC アダプタとバッテリーのみを使用するようにしてください。その他のタイプのバッテリーパックや AC アダプタを使用すると、火災や破裂の恐れがあります。

- ドッキングステーションを清掃する際は、電源を切り、電源コンセントから AC アダプタを抜いてください。コンピュータの清掃には、水で湿らせたやわらかい布を使用してください。引火性のある物質が含まれている場合があるので、液体やスプレー式のクリーナーはご使用にならないでください。



## 電源 (安全にお使いいただくための注意)



- 推奨されている専用の Dell AC アダプタのみを使用するようにしてください。その他の AC アダプタを使用すると、発火や破裂の恐れがあります。
- ドッキングステーションを電源に接続する前に、AC アダプタの定格電圧が、使用する電源の定格電圧と周波数に適合していることを確認してください。

- コンピュータの電源をオフにするには、まず電源を切って、次に AC アダプタを電源コンセントから抜いてください。



- 感電の危険を避けるために、AC アダプタや周辺機器の AC 電源ケーブルは、正しくアースされている電源コンセントに接続してください。これらの電源コードは、正しくアースするために、三芯プラグが使用されていることがあります。アダプタプラグを使用したり、アース用のピンをコードから取り外したりしないでください。延長ケーブルを使用する場合は、AC アダプタ電源ケーブルに適合する 2 ピンもしくは 3 ピンタイプのものを使用してください
- AC アダプタの電源コードの上に物を載せないでください。また、人が踏んだりつまずいたりする恐れのある位置に設置しないでください。



- 複数のコンセントがある電源タップを使用する場合、AC アダプタの電源ケーブルを電源タップへ接続する際は、特に注意してください。電源タップによっては、プラグに正しく差し込んでいなくても、差し込めることがあります。電源プラグを正しく差し込まないと、ご使用のコンピュータが完全に損傷したり、感電したり発火する恐れがあります。電源プラグのアース用ピンが電源タップのアース端子に差し込まれていることを確認してください。

## バッテリーの廃棄



ドッキングデバイスではリチウムイオンバッテリーを使用しています。リチウムイオンバッテリーは寿命が長く、交換する必要がほとんどありません。交換が必要になった場合は、Dell ドッキングデバイスマニュアルのバッテリー交換の項を参照してください。

これらのバッテリーは家庭用のごみと一緒に廃棄しないでください。最寄りのバッテリーの廃棄場所の所在地については、市役所などの行政機関にお問い合わせください。

## 認可機関の情報

電磁波障害 (EMI: Electromagnetic Interference) とは、自由空間に放射または電源コードや信号線に伝導する信号または放射電磁波のことで、無線航海やその他の安全サービスを危険にさらしたり、認可された無線通信サービスの著しい品質低下、妨害、あるいは度重なる中断を発生させます。無線通信サービスとは、AM/FM の商業放送、テレビ、および携帯電話の各種サービス、レーダー、航空交通管制、ポケットベル、PCS (Personal Communication Services) などがありますが、これらに限定されません。これらの認可サービスは、コンピュータシステムを含むデジタル装置などの電波放射を目的としない装置とともに、電磁環境に影響を与えます。

電磁整合性 (EMC: Electromagnetic Compatibility) とは、多数の電子機器が同一の環境で一緒に正常に動作する能力のことです。本コンピュータシステムは、認可機関の EMI に関する制限に準拠する設計がなされており、適合していますが、特定の設置条件で干渉が発生しないという保証はありません。この装置が無線通信サービスに対して干渉するかどうかは、その装置の電源をオン/オフすることによって判定できますので、以下の方法を 1 つ以上実施してみてください。

- 受信アンテナの方向を変えてください。
- 受信機に対してコンピュータを再配置してください。
- 受信機からコンピュータを遠ざけてください。
- コンピュータを別の電源コンセントにつないで、コンピュータと受信機を別々の分岐回路上に置いてください。

必要があれば、Dell テクニカルサポートまたはラジオ/テレビ専門技術者に相談してください。

Dell のコンピュータは、下記の使用環境に合わせた設計、試験、分類がなされています。これらの電磁環境の分類は、一般に次の統一定義を表しています。

- クラス A は、商工業環境用です。
- クラス B は、住宅環境用です。

情報技術機器 (ITE: Information Technology Equipment) は、周辺機器、拡張カード、プリンタ、入出力 (I/O) 装置、モニタなどを含み、システムに統合または接続されるもので、コンピュータの電磁環境の分類に適合しなければなりません。

**シールド付き信号コードに関する告知：周辺機器の Dell 製装置への接続にはシールド付きコードのみを使用して、無線通信サービスとの干渉の可能性を減らしてください。シールド付きコードの使用により、目的とする環境に適した EMC 分類基準を満たします。**

大半の Dell 製コンピュータは、クラス B 環境装置として分類されています。ただし、特定のオプションを追加することにより、その構成によってはクラス A となる場合があります。お使いのシステムまたは装置の電磁的分類を確認するには、認可機関に関する以下の各項を参照してください。以下の各項には、EMC/EMI または製品の安全に関する情報が記載されています。

### **VCCI 規定（情報処理装置等電波障害自主規制協議会規定日本のみ）**

Dell のコンピュータの大部分は、VCCI でクラス B 情報装置（住宅またはその隣接した地域にて使用されるべき情報装置）として類別されています。しかし、特定のオプションを付加することにより、一部の構成はクラス A 情報装置に分類されることもあります。システムに統合または接続される周辺機器、拡張カード、プリンタ、入出力 (I/O) 装置、モニタなどの ITE は、コンピュータの電磁波環境分類（クラス A またはクラス B）と一致していなければなりません。

お使いのコンピュータに適用された分類を判断するには、コンピュータの底面または背面パネルに添付されている認可ラベル/マークを調べます（「VCCI クラス A ITE 認定マーク」および「VCCI クラス B ITE 認定マーク」を参照してください）。コンピュータの VCCI 分類を確認したら、該当する VCCI の通達をお読みください。

## クラス A ITE

この装置は、情報処理装置等電波障害自主規制協議会（VCCI）の基準に基づくクラス A 情報技術装置です。この装置を家庭環境で使用すると電波妨害を引き起こすことがあります。この場合には使用者が適切な対策を講ずるよう要求されることがあります。

### VCCI クラス A ITE 認定マーク

**VCCI-A**

## クラス B ITE

この装置は、情報処理装置等電波障害自主規制協議会（VCCI）の基準に基づくクラス B 情報技術装置です。この装置は家庭環境で使用することを目的としていますが、ラジオやテレビジョン受信機に近接して使用されると、受信障害を引き起こすことがあります。  
取扱説明書に従って正しい取り扱いをしてください。

### VCCI クラス B ITE 認定マーク








Dell™ Latitude™ C/Dock II 확장 스테이션

# 시스템 정보 설명서



## 주, 주의사항 및 주의

-  **주:** 주는 컴퓨터를 보다 효율적으로 사용할 수 있도록 중요 정보를 제공합니다.
-  **주의사항:** 주의사항은 하드웨어의 손상 또는 데이터 유실 위험을 설명하며, 이러한 문제를 방지할 수 있는 방법을 알려줍니다.
-  **주의:** 주의는 위험한 상황, 심각한 부상 또는 사망할 우려가 있음을 알려줍니다.

---

본 설명서에 수록된 정보는 사전 통보없이 변경될 수 있습니다.  
© 2001 Dell Computer Corporation. 저작권 본사 소유.

Dell Computer Corporation의 서면 승인 없이 어떠한 방법으로도 무단 복제하는 것을 엄격히 금합니다.

본 설명서에 사용된 상표: Dell, DELL 로고, Latitude 및 DellWare 는 Dell Computer Corporation의 상표이며 3Com 은 Corporation의 상표입니다. Microsoft, Windows 및 Windows NT 는 Microsoft Corporation의 등록 상표입니다.

특정 회사의 표시나 회사명 또는 제품을 지칭하기 위해 다른 상표나 상호를 본 설명서에서 사용할 수도 있습니다. Dell Computer Corporation은 자사가 소유하고 있는 상표 이외의 다른 모든 등록 상표 및 상표명에 대해 어떠한 소유권도 없음을 알려 드립니다.

본 제품은 특정 미국 특허권 및 Macrovision Corporation과 기타 소유자가 가지고 있는 여러 지적 재산권의 보상 체계에 의해 보호되는 저작권 보호 기술에 의해 제작되었습니다. 이 저작권 보호 기술을 사용하려면 Macrovision Corporation의 승인을 받아야 하며, Macrovision Corporation의 승인이 없는 한 가정용 및 기타 제한된 용도로만 사용할 수 있습니다. 기술 역조작 및 분해는 금지되어 있습니다.



Dell™ Latitude™ C/Dock II 확장 스테이션

# 시스템 정보 설명서

본 설명서에서는 Dell Latitude C/Dock II 확장 스테이션에 대한 시작하기, 안전 지침, 규정사항 및 보증 정보 외에 여러 유용한 Dell 설명서를 얻는 방법에 대해 설명합니다.


## 기타 유용한 설명서

- 일부 도킹 장치에는 도킹 장치나 소프트웨어의 변경사항이 설명되어 있는 설명서 업데이트본이 함께 제공됩니다. 업데이트본에는 항상 최신 정보가 수록되어 있으므로 반드시 다른 설명서를 참조하기 전에 읽으십시오.
- 설명서는 도킹 장치와 별도로 구입한 모든 옵션에 포함되어 있습니다. 이러한 설명서에는 도킹 장치에 이러한 옵션을 구성하여 설치하는 내용이 설명되어 있습니다.

## 도움말 얻기

Dell은 도킹 장치가 예상대로 작동하지 않는 경우 문제를 해결하는데 도움이 되는 몇 가지 도구를 제공합니다. 이러한 도움말 도구에 대한 자세한 내용은 컴퓨터 《사용 설명서》의 「도움말 얻기」 항목을 참조하십시오.

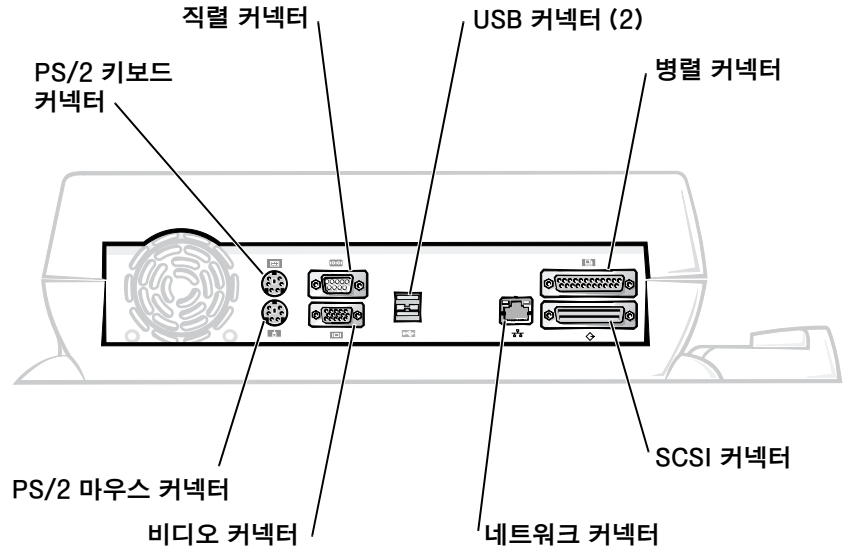
## 도킹 장치 개요

 **주:** 네트워크에 도킹 장치를 연결하기 전에 네트워크 관리자와 상의하십시오.

AC 어댑터를 도킹 장치에 연결한 다음 컴퓨터를 도킹 장치에 연결하고 컴퓨터를 켜십시오. AC 어댑터는 도킹 장치와 컴퓨터로 동시에 전원을 공급합니다. 컴퓨터에 설치되어 있는 모든 전지는 도킹 장치를 사용하는 동안 충전됩니다.








- ➡ **주의사항 :** 도킹 장치와 함께 제공되는 Dell PA-6 AC 어댑터만 사용하십시오. 시중에서 판매하는 다른 AC 어댑터 또는 구형 Dell 컴퓨터의 AC 어댑터를 사용하는 경우 도킹 장치나 컴퓨터가 손상될 수 있습니다.

### 도킹 장치의 I/O 패널

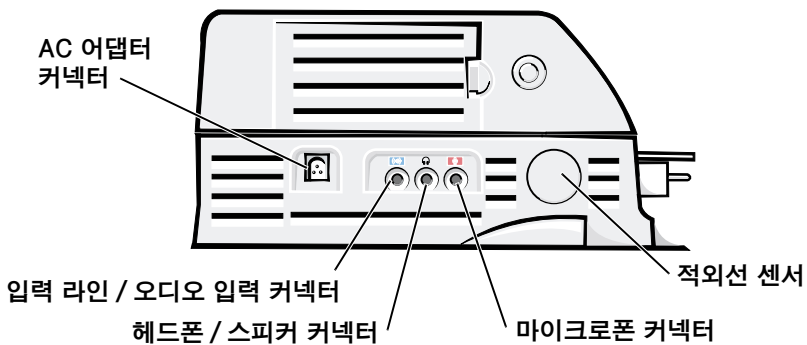


“외장형 I/O 커넥터” 표에는 도킹 장치 후면에 있는 각 커넥터 아이콘과 커넥터에 연결하는 외장형 장치 종류가 요약되어 있습니다.

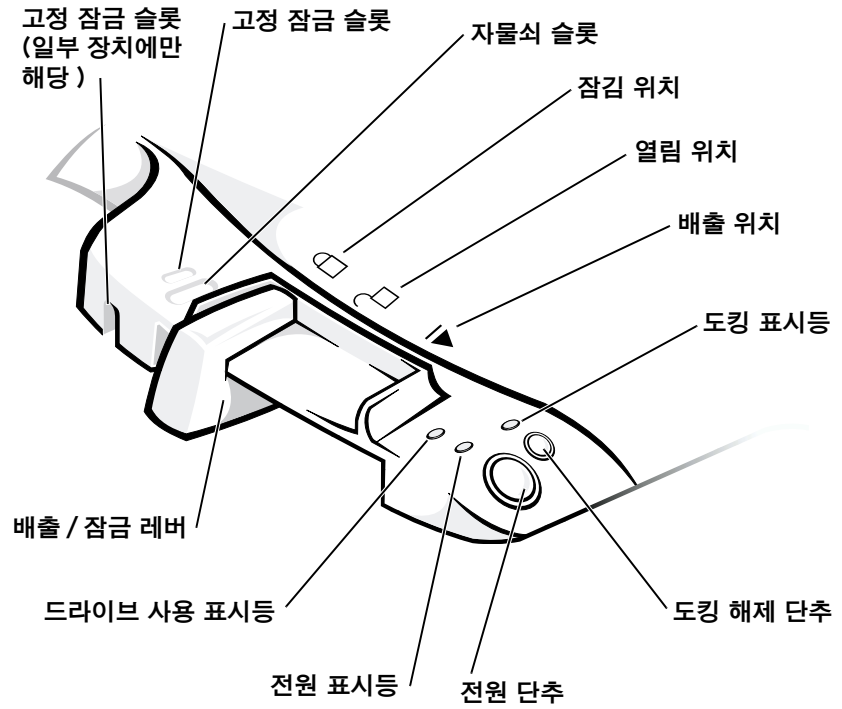
## 외장형 I/O 커넥터

커넥터 아이콘	커넥터 설명
	USB 마우스와 같은 USB 장치 1 개 또는 2 개를 이중 USB 커넥터에 연결하십시오.
	외장형 PS/2 형 키보드 또는 외장형 숫자 키패드는 PS/2 키보드 커넥터에 연결합니다.
	외장형 PS/2 호환 마우스는 PS/2 마우스 커넥터에 연결합니다.
<b>IOI</b>	직렬 마우스 또는 외장형 모뎀과 같은 직렬 장치는 직렬 포트 커넥터에 연결합니다.
	네트워크 인터페이스 케이블은 NIC 커넥터에 연결합니다.
	프린터와 같은 병렬 장치는 병렬 포트 커넥터에 연결합니다.
	외장형 모니터는 비디오 커넥터에 연결합니다.
	도킹 장치와 함께 제공된 AC 어댑터는 AC 어댑터 커넥터에 연결합니다.

## 오디오 커넥터 및 적외선 센서



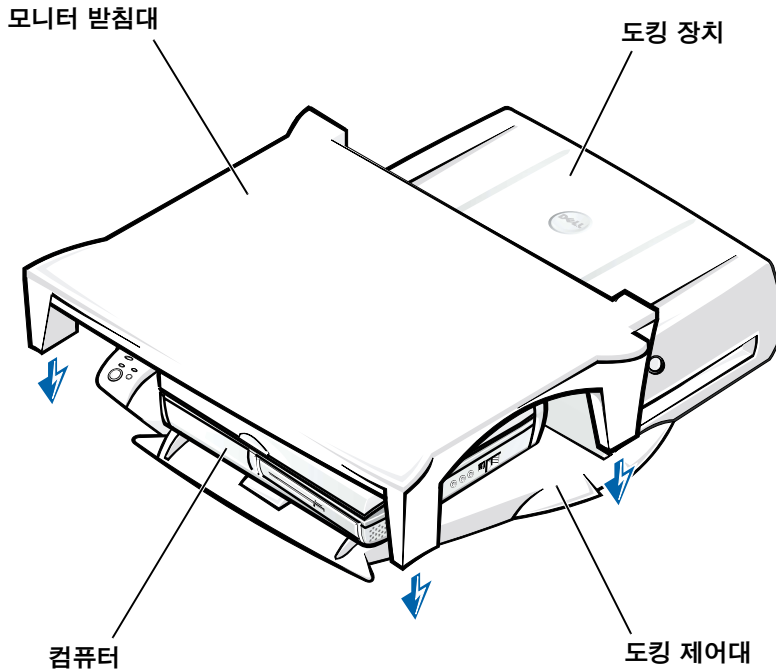
### 도킹 제어대 제어부 및 표시등



### 모니터 받침대

- ➡ **주의사항 :** 받침대에는 최대 45.3kg(100lb)의 모니터를 설치할 수 있습니다. 이 무게보다 무거운 모니터를 설치하는 경우 받침대, 컴퓨터, 도킹 장치가 손상될 수 있습니다.

## 모니터 받침대가 있는 도킹 장치



**주:** 모니터 받침대의 뒷다리가 도킹 제어대의 양쪽 슬롯에 걸려 있는지 확인하십시오.

## 컴퓨터를 도킹하기 전에

Microsoft® Windows® 9x, Windows NT®, Windows Me (Millennium) 운영 체제를 실행하는 컴퓨터인 경우 먼저 도킹 드라이버가 있는지 점검해야 합니다. 컴퓨터에 도킹 드라이버가 없는 경우, 컴퓨터를 처음 도킹하기 전에 드라이버를 설치해야 합니다. 도킹 드라이버를 설치하려면 「도킹 드라이버 설치」 단계를 수행하십시오.

**주:** Windows XP or Windows 2000 운영 체제를 실행하는 컴퓨터인 경우, 드라이버가 자동으로 설치되기 때문에 「도킹 드라이버 설치」 단계를 수행하지 않아도 됩니다. 「컴퓨터 도킹」으로 가십시오.

## 도킹 드라이버가 있는지 확인하기 위해 컴퓨터 점검

- 1 내 컴퓨터를 더블 클릭하십시오.
- 2 제어판을 더블 클릭하십시오.
- 3 프로그램 추가 / 제거를 더블 클릭하십시오.
- 4 프로그램 목록에서 해당 도킹 드라이버를 찾으십시오.

Windows 9x 및 Windows Me 의 경우, 이름에 **Quick Install** 이라는 문구가 있는 드라이버를 찾으십시오. 예 : Dell Dock Quick Install for Windows

Windows NT 인 경우에는 **NT Softex Docking Services** 를 찾으십시오.

컴퓨터에 도킹 드라이버가 없는 경우, 다음의 「도킹 드라이버 설치」로 가십시오. 컴퓨터에 도킹 드라이버가 있는 경우에는 「컴퓨터 도킹」으로 가십시오.

## 도킹 드라이버 설치

다음과 같은 방법을 사용하여 도킹 드라이버를 설치할 수 있습니다 :

- 컴퓨터 또는 도킹 장치와 함께 제공된 ResourceCD 또는 드라이버 및 유틸리티 CD 를 사용하여 드라이버를 설치하십시오.
- Dell 지원 웹사이트에서 드라이버를 다운로드 받을 수 있습니다.

## ResourceCD 또는 드라이버 및 유틸리티 CD 로 도킹 드라이버 설치

- 1 ResourceCD 또는 드라이버 및 유틸리티 CD 를 CD 드라이브에 넣으십시오.

대부분의 경우 CD 가 자동으로 실행됩니다. 자동으로 시작되지 않으면 Windows 탐색기를 시작하고 CD 드라이브 디렉토리를 클릭하여 CD 목차를 표시한 다음 **autorcd** 응용프로그램 파일을 더블 클릭하십시오. welcome 화면이 나타나면 **Next** 를 클릭하십시오. CD 를 처음 시작하면 일부 설치 파일을 설치하라는 메시지가 나타날 수 있습니다. **OK** 를 클릭하고 화면의 지침에 따라 계속 진행하십시오.

- 2 작업 표시줄에 있는 **Language** 풀다운 메뉴에서 드라이버에 해당하는 언어를 선택하십시오 (사용가능한 경우).

welcome 화면이 나타납니다.

3 **Next** 를 클릭하십시오 .

4 **Search Criteria** 의 **System Model, Operating System**

폴 다운 메뉴에서 해당 범주를 선택하십시오 .

시스템에서 Windows 9x 또는 Windows Me 를 실행중인 경우에는 **Device Type** 폴다운 메뉴에서 시스템 유틸리티를 선택한 다음 **Topic** 폴다운 메뉴에서 **Drivers** 를 선택하십시오 .

시스템에서 Windows NT 를 실행중인 경우에는 **Device Type** 폴다운 메뉴에서 시스템 유틸리티를 선택한 다음 **Topic** 폴다운 메뉴에서 **Utilities** 를 선택하십시오 .


컴퓨터에서 사용하는 특정 드라이버나 유틸리티에 해당하는 링크가 나타납니다 .

5 시스템에서 Windows 9x 또는 Windows Me 를 실행 중인 경우에는 **Dell Dock QuickInstall** 유틸리티의 링크를 클릭하십시오 .

**Dell Dock QuickInstall** 파일은 컴퓨터에 필요한 도킹 드라이버를 설치하는 유틸리티입니다 .

시스템에서 Windows NT 를 실행 중인 경우에는 **Softex Docking Services** 의 링크를 클릭하십시오 .

6 **Install** 단추를 클릭하면 설치가 자동으로 시작됩니다. welcome 화면에서 지침에 따라 설치를 완료하십시오 .

 **주 :** 일부 ResourceCD 는 사용자가 해당 드라이버가 있는 폴더를 탐색하도록 요청할 수도 있습니다 . 드라이버를 재설치하는 지침은 <<사용 설명서>>를 참조하십시오 .

### Dell 지원 웹사이트에서 도킹 드라이버 설치

1 Dell 지원 웹사이트 <http://support.dell.com> 에 접속하십시오 .  
웹사이트에 처음 방문하는 경우라면 화면의 지도에서 해당 국가를 지정하십시오 .

**Welcome to support.dell.com** 화면이 나타납니다 .

2 도킹 장치 정보를 입력한 다음 **Go!** 를 클릭하십시오 .

**Downloads For Your Dell** 을 클릭하십시오 .

간단한 사항을 기입하도록 되어 있는 **Downloads For Your Dell** 창이 나타납니다 .

- 3 시스템 서비스 태그 번호를 입력하거나 Dell 시스템을 선택하십시오.
- 4 해당 운영 체제 및 운영 체제 언어를 선택하십시오.
- 5 다운로드 범주에서 **System and Configuration Utilities** 를 선택하십시오.
- 6 **Go!** 를 클릭하십시오.
- 7 컴퓨터에서 Windows 9x 또는 Windows Me 를 실행 중인 경우에는 **Dell Dock QuickInstall** 유틸리티의 링크를 클릭하십시오.  
Windows NT 를 실행하는 경우에는 **Softex Docking Services** 링크를 찾아 클릭하십시오.
- 8 화면의 지침에 따라 필요한 드라이버를 다운로드하여 설치하십시오.  
파일을 다운로드했으면 드라이버를 설치하기 전에 **readme.txt** 파일이 있는지 확인하십시오. 이 파일은 다운로드한 파일에 포함되어 있으며 설치하는 데 필요한 중요한 정보가 들어있습니다.

## 컴퓨터 도킹

모니터를 도킹 장치에 연결하고 모니터를 켜면 모니터에 이미지가 나타납니다. 이미지를 컴퓨터 디스플레이로 전환하거나 모니터와 컴퓨터 디스플레이 모두에 나타내려면, <Fn><F8> 을 누르십시오.

컴퓨터를 도킹 장치에 연결하고 컴퓨터를 켜면 도킹 제어대에 있는 녹색 전원 표시등이 켜집니다 (“도킹 제어대 제어부 및 표시등” 그림 참조).

➡ **주의사항:** 데이터가 유실되지 않도록 방지하려면, 컴퓨터를 도킹하기 전에 열려 있는 모든 파일을 저장하십시오.

➡ **주의사항:** 도킹 장치에 PCI(Peripheral Component Interconnect) 비디오 카드가 설치되어 있는 경우, 도킹하거나 도킹을 해제하기 전에 컴퓨터를 종료해야 데이터가 유실되지 않습니다.

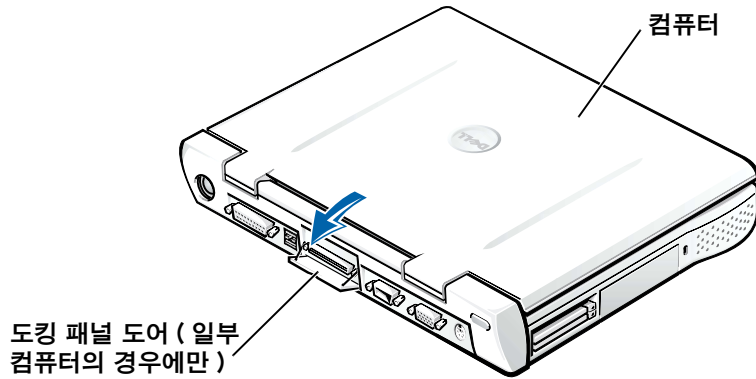
- 1 모든 파일을 저장하고 모든 응용프로그램을 닫은 다음, 운영 체제를 종료하고 시스템 전원을 끄십시오.

➡ **주의사항:** 도킹 커넥터가 손상되지 않도록 방지하려면, 도킹 장치에 컴퓨터를 도킹하기 전에 도킹 패널 도어를 여십시오.

- 2 컴퓨터에 도킹 패널 도어가 있는 경우 컴퓨터 후면에 있는 도킹 패널 도어를 여십시오.

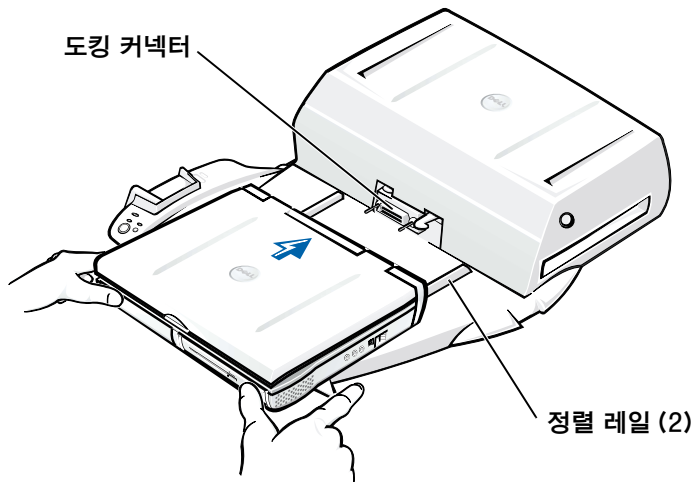





## 컴퓨터의 도킹 패널 도어



- 3 모니터 받침대가 있는 도킹 장치를 사용하는 경우 컴퓨터 디스플레이를 닫으십시오.
- 4 배출 / 잠금 레버가 열림 위치에 있는지 확인하십시오.
- 5 다음과 같이 컴퓨터를 도킹 장치에 도킹하십시오 :

## 컴퓨터 도킹





- a “컴퓨터 도킹” 그림과 같이 도킹 장치 도킹 커넥터와 컴퓨터 후면이 마주 본 상태로 컴퓨터를 도킹 장치 플랫폼 위에 똑바로 놓으십시오.
  - b 컴퓨터 밑면에 있는 홈이 정렬 레일에 끼워지는 느낌이 날 때까지 컴퓨터를 커넥터쪽으로 미십시오.
-  **주의사항:** 정렬 레일에 끼워지지 않은 상태에서 도킹 장치쪽으로 컴퓨터를 계속 미는 경우, 컴퓨터의 도킹 커넥터가 손상되어 복구할 수 없게 됩니다.
-  **주의사항:** 컴퓨터와 도킹 장치가 연결되어 있을 때에는 둘 중 한개만 들어 올리지 마십시오. 그런 경우 컴퓨터와 도킹 장치의 커넥터가 손상될 수 있습니다.
-  **주의사항:** 모니터 받침대가 있는 모니터를 사용하는 경우, 도킹 제어대를 제자리로 옮기기 전에 받침대에서 모니터를 분리하십시오.
- c 도킹 커넥터가 완전히 끼워질 때까지 컴퓨터 앞쪽을 부드럽게 누르십시오.

## Windows XP 및 Windows 2000 에서 처음 도킹

- 1 컴퓨터를 도킹하고 전원을 켜십시오.
- 2 시스템 부팅 루틴 동안 <F2> 를 눌러 System Setup 프로그램을 실행하십시오.
- 3 Docking IRQ 를 Optimized 로 설정하십시오.
- 4 Universal Connect 를 Enabled 로 설정하십시오.
- 5 System Setup 프로그램을 종료하십시오.

시스템이 부팅 과정을 계속 진행합니다.

Windows 2000 인 경우 **새 하드웨어 추가 마법사** 창이 나타납니다.

-  **주:** Windows XP 의 경우, 운영 체제가 자동으로 드라이버를 설치합니다. Windows 2000 의 경우 새 하드웨어 추가 마법사가 자동으로 드라이버를 설치합니다.
-  **주:** Windows XP 및 Windows 2000 의 경우, 드라이버를 재설치하거나 가장 적합한 드라이버를 설치하는 자세한 내용은 본 설명서 뒷부분에 있는 「Windows XP, Windows 2000 또는 Windows Me 에서 드라이버 업데이트」 를 참조하십시오.

## Windows Me 에서 처음 도킹

- 1 컴퓨터를 도킹하고 전원을 켜십시오 .
- 2 시스템 부팅 루틴 동안 <F2> 를 눌러 System Setup 프로그램을 실행하십시오 .
- 3 Docking IRQ 를 Optimized 로 설정하십시오 .
- 4 Universal Connect 를 Enabled 로 설정하십시오 .
- 5 System Setup 프로그램을 종료하십시오 .  
시스템이 부팅 과정을 계속 진행합니다 .  
새 하드웨어 추가 마법사가 나타납니다 .
- 6 기존의 드라이버보다 나은 드라이버 검색 ( 권장 ) 을 선택하고 다음을 클릭하십시오 .
- 7 다음을 클릭하십시오 .
- 8 새 하드웨어 추가 마법사의 지침을 수행하십시오 .
- 9 창이 나타나면 기존의 드라이버보다 나은 드라이버 검색 ( 권장 ) 을 선택하고 다음을 클릭하십시오 .
- 10 나타나는 지침을 계속 수행하여 설치를 완료하십시오 .

Windows 바탕 화면이 나타나면 설치가 완료된 것입니다 .

## Windows NT 4.0 에서 처음 도킹

- 1 컴퓨터를 도킹하고 전원을 켜십시오 .
- 2 시스템 부팅 루틴 동안 <F2> 를 누르거나 컴퓨터가 부팅되면 <Fn><F1> 을 눌러 System Setup 프로그램을 실행하십시오 .
- 3 Docking IRQ 를 Optimized 로 설정하십시오 .
- 4 Universal Connect 를 Enabled 로 설정하십시오 .
- 5 System Setup 프로그램을 종료하십시오 .
- 6 <Ctrl><Alt><Del> 을 눌러 로그인하십시오 .  
Docking Station Setup 창이 나타나고 계속하려면 컴퓨터의 도킹을 해제하라는 메시지가 표시됩니다 .
- 7 OK 를 클릭하고 컴퓨터가 꺼질 때까지 기다리십시오 .

- 8 컴퓨터를 도킹 해제하십시오 (「컴퓨터 도킹 해제」 참조).  
컴퓨터가 자동으로 재시작됩니다. 컴퓨터가 재시작되지 않으면 컴퓨터를 켜십시오.
- 9 **장치 제거** 창에서 **확인**을 클릭하십시오.
- 10 **시작**을 클릭하고 **시스템 종료**를 선택하십시오.
- 11 컴퓨터가 완전히 꺼지면 도킹 장치에 컴퓨터를 다시 도킹하십시오.  
컴퓨터가 자동으로 재시작됩니다. 컴퓨터가 재시작되지 않으면 컴퓨터를 켜십시오.
- 12 <Ctrl><Alt><Del> 을 눌러 로그인하십시오.  
컴퓨터가 자동으로 새 장치를 감지합니다.
- 13 창이 나타나면 **장치에 알맞은 시스템 드라이버 설치 (권장)** 를 선택하고 **확인**을 클릭하십시오.
- 14 **Windows NT 설치** 창에서 **계속**을 클릭하십시오.
- 15 **장치에 알맞은 시스템 드라이버 설치 (권장)** 를 선택하고 **확인**을 클릭하십시오.
- 16 드롭 다운 메뉴에서 해당 NIC(Network Interface Controller) 이름을 선택하십시오.
- 17 서버에서 네트워크 어댑터에 IP 주소를 할당할 것인지, 아니면 IP 주소를 지정할 것인지 선택하십시오.  
어떤 것을 선택해야 할지 모르는 경우 시스템 관리자에게 문의하십시오.
- 18 화면의 지침을 수행하여 설치를 완료하십시오.

Windows 바탕 화면이 나타나면 설치가 완료된 것입니다.

컴퓨터가 도킹되어 있는 동안에는 디스크 일시 중지 모드를 실행할 수 없습니다.



## Windows 98 에서 처음 도킹

- 1 컴퓨터를 도킹하고 전원을 켜십시오.
- 2 시스템 부팅 루틴 동안 <F2> 를 누르거나 컴퓨터가 부팅되면 <Fn><F1> 을 눌러 System Setup 프로그램을 실행하십시오.

- 3 Docking IRQ 를 **Optimized** 로 설정하십시오 .
  - 4 **Universal Connect** 를 **Enabled** 로 설정하십시오 .
  - 5 System Setup 프로그램을 종료하십시오 .
  - 6 구성 설정 창이 나타나면 **확인**을 클릭하십시오 .  
새 하드웨어 추가 마법사가 나타납니다 .
  - 7 다음을 클릭하십시오 .
  - 8 기존의 드라이버보다 나은 드라이버 검색 ( 권장 ) 을 선택하고 다음을 클릭하십시오 .
  - 9 각 옵션 옆에 있는 확인 표시를 없애고 다음을 클릭하십시오 .  
Windows 가 장치에 알맞은 드라이버를 감지할 준비가 되었다는 창이 나타납니다 .
  - 10 새 하드웨어 추가 마법사의 지침을 수행하십시오 .
  - 11 창이 나타나면 기존의 드라이버보다 나은 드라이버 검색 ( 권장 ) 을 선택하고 다음을 클릭하십시오 .
  - 12 나타나는 지침을 계속 수행하여 설치를 완료하십시오 .
- Windows 바탕 화면이 나타나면 설치가 완료된 것입니다 .

## Windows 95 에서 처음 도킹

- 1 컴퓨터를 도킹하고 전원을 켜십시오 .
- 2 시스템 부팅 루틴 동안 <F2> 를 누르거나 컴퓨터가 부팅되면 <Fn><F1> 을 눌러 System Setup 프로그램을 실행하십시오 .
- 3 Docking IRQ 를 **Optimized** 로 설정하십시오 .
- 4 **Universal Connect** 를 **Enabled** 로 설정하십시오 .
- 5 System Setup 프로그램을 종료하십시오 .  
컴퓨터가 자동으로 새 하드웨어를 감지합니다 .
- 6 시스템 설정 변경 창에서 예를 클릭하십시오 .  
컴퓨터가 재시작되고 자동으로 새 하드웨어를 감지합니다 .
- 7 구성 설정 창이 나타나면 **확인**을 클릭하십시오 .
- 8 네트워크 창에서 **확인**을 클릭하십시오 .

- 9 다음 **네트워크** 창에서 **식별**을 선택하십시오 .
- 10 네트워크에서 사용자의 컴퓨터를 식별할 수 있도록 **컴퓨터 이름**과 **작업 그룹**을 입력한 다음 **닫기**를 클릭하십시오 .
- 컴퓨터 이름**과 **작업 그룹**을 확인하려면 시스템 관리자에게 문의하십시오 .
-  **주 :** **컴퓨터 이름**과 **작업 그룹**을 입력해야 드라이버 설치 과정을 계속할 수 있습니다 .
- 컴퓨터가 자동으로 파일을 복사하여 드라이버의 정보 데이터베이스를 구축합니다 .
- 11 **시스템 설정 변경** 창에서 **예**를 클릭하십시오 .
- 컴퓨터가 재시작됩니다 .
- 네트워크 암호 입력** 창이 나타납니다 . 이 단계에서 사용자명과 암호를 지정하지 않으려는 경우 또는 아직 시스템 관리자가 사용할 이름을 알려주지 않은 경우에는 **취소**를 클릭하십시오 .
- 컴퓨터가 자동으로 새 하드웨어를 감지합니다 .
- 12 **구성 설정** 창이 나타나면 **확인**을 클릭하십시오 .
- Windows 바탕화면이 나타나면 설치가 완료된 것입니다 .
-  **주 :** USB 커넥터를 사용하려면 **Win95\OSUpdate** 디렉토리에 ResourceCD 의 USB 부록을 설치해야 합니다 . USB 부록을 설치하면 , 컴퓨터에서 일시 중지 모드를 실행할 수 없습니다 . USB 장치를 사용하는 경우에만 USB 부록을 설치하는 것이 좋습니다 .

## Windows XP 및 Windows 2000 에서 드라이버 업데이트

Windows XP 및 Windows 2000 에서 드라이버를 업데이트하려면 :

- 1 **내 컴퓨터**를 마우스 오른쪽으로 클릭하고 **관리**를 클릭하십시오 (Windows XP 의 경우 , **Start** 단추를 클릭하면 **My Computer** 를 사용할 수 있으며 Windows 2000 의 경우 , **내 컴퓨터**는 Windows 바탕화면에 있음 ) .
- 2 **컴퓨터 관리** 창에서 **장치 관리자**를 클릭하고 **네트워크 어댑터**를 더블 클릭하십시오 .
- 3 **3Com 3C920 Integrated Fast Ethernet Controller** 를 더블 클릭하십시오 .

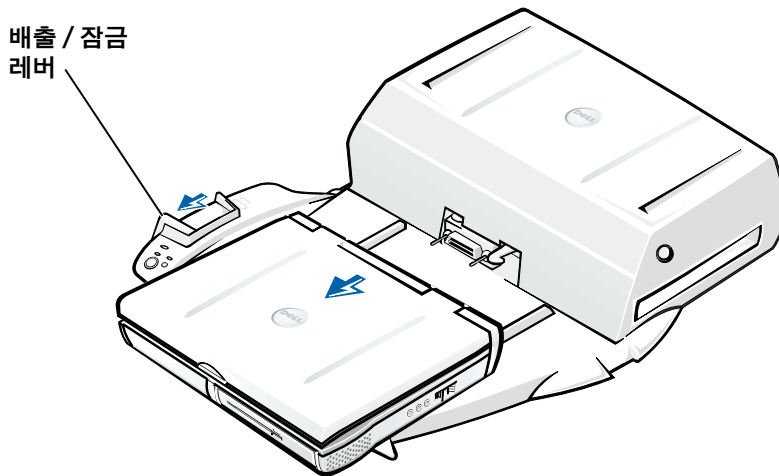
- 4 드라이버 탭을 클릭하십시오.
- 5 드라이버 업데이트 ... 를 클릭하고 지시사항을 따르십시오.

## Windows Me 에서 드라이버 업데이트

Windows Me 에서 드라이버를 업데이트하려면 :

- 1 바탕화면에 있는 **내 컴퓨터**를 마우스 오른쪽으로 클릭하고 **등록 정보**를 클릭하십시오.
- 2 시스템 등록 정보 창에서 **장치 관리자** 탭을 클릭하고 **네트워크 어댑터**를 더블 클릭하십시오.
- 3 **3Com 3C920 Integrated Fast Ethernet Controller** 를 더블 클릭하십시오.
- 4 **드라이버** 탭을 클릭하십시오.
- 5 **드라이버 업데이트 ...** 를 클릭하고 지시사항을 따르십시오.

## 컴퓨터 도킹 해제



- ➡ **주의사항 :** 컴퓨터가 전지로 작동되지 않은 상태에서 컴퓨터의 도킹을 해제하면 컴퓨터가 꺼지고 저장하지 않은 데이터가 모두 유실됩니다.

- ➡ **주의사항** : 컴퓨터가 준비되지 않은 상태에서는 절대 컴퓨터를 도킹 해제하지 마십시오. 컴퓨터가 준비되지 않은 상태에서 도킹 해제하면, 데이터가 유실되고 적어도 몇 분 동안 컴퓨터가 정상적으로 작동되지 않을 수 있습니다.

컴퓨터의 도킹을 해제하기 전에 다음 중 하나를 수행하십시오 :

- 컴퓨터 키보드에서 <Fn><Esc> 를 누르십시오 ( 또는 외장형 키보드의 <Scroll Lock><Esc> ).  
컴퓨터의 전원 표시등이 꺼질 때까지 잠시 기다리십시오 .
- Windows XP 의 경우 , **Start** 단추를 클릭한 다음 **Undock Computer** 를 클릭하십시오 .

Windows 95, Windows 98, Windows Me 또는 Windows 2000 의 경우 , **시작** 단추를 클릭하고 **PC 배출** 을 클릭하십시오 .

Windows NT 의 경우 , 작업 표시줄에 있는 도킹 아이콘을 클릭한 다음 **도킹해제** 를 클릭하여 컴퓨터를 일시 중지 모드로 설정하십시오 .

컴퓨터의 전원 표시등이 꺼질 때까지 잠시 기다리십시오 .

- 도킹 제어대에 있는 도킹 해제 단추를 누르십시오 ( “ 도킹 제어대 제어부 및 표시등 ” 그림 참조 ). 녹색의 도킹 표시등이 꺼질 때까지 기다리십시오 .

## 전지 교체

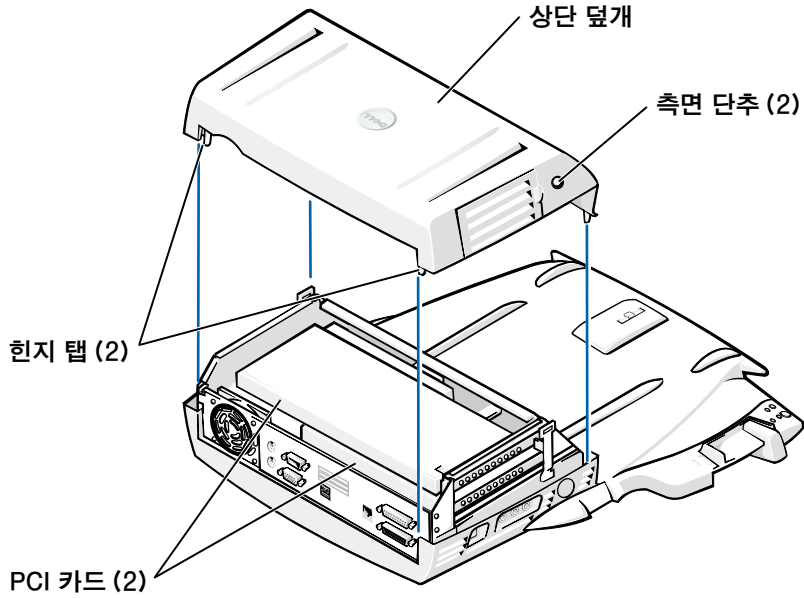
본 도킹 장치에는 리튬 이온 전지를 사용합니다. 리튬 이온 전지는 수명이 매우 긴 전지이므로 거의 교체할 일이 없습니다. 그러나 교체해야 하는 경우가 발생하면 다음 단계를 수행하십시오 :

- ⚠ **주의** : 전지를 올바르게 설치하지 않으면 전지가 폭발할 위험이 있습니다. 제조업체에서 원하는 전지와 같거나 동일한 종류를 사용하십시오. 사용한 전지는 제조업체의 지시사항에 따라 폐기하십시오 .

- 1 「컴퓨터 도킹 해제」의 설명에 따라 컴퓨터의 도킹을 해제하십시오 .
- 2 도킹 장치에 있는 전원 스위치를 끄고 AC 어댑터를 분리하십시오 .
- 3 양쪽의 두 단추를 눌러 덮개를 확장 스테이션 뒤쪽으로 돌려 상단 덮개를 분리하십시오 ( “상단 덮개 분리” 그림 참조 ). 덮개가 수직으로 되면 힌지 탭을 분리하고 덮개를 완전히 분리하십시오 .

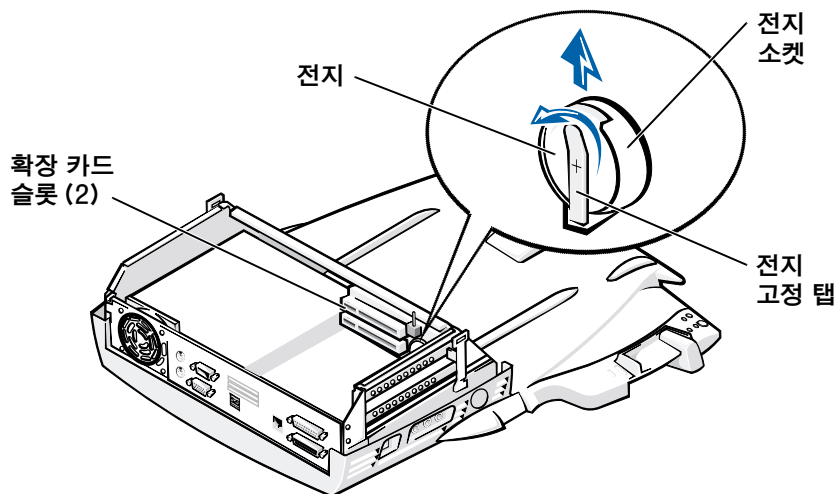


## 상단 덮개 분리



4 확장 카드 슬롯에 설치되어 있는 모든 카드를 분리하십시오.

## 전지 교체





- 5 전지 고정 탭을 가볍게 올린 다음 전지 소켓에서 전지를 분리하십시오.
- 6 “+” 로 표시되어 있는 쪽이 위로 오도록 전지를 놓으십시오.  
그런 다음, 소켓에 전지를 넣고 고정 탭을 다시 고정하십시오.

가정용 쓰레기와 함께 전지를 버리지 말고, 해당 지역의 폐기물 처리 기관에 문의하여 가까운 전지 폐기 처리소에 폐기하십시오.

## PCI 확장 카드 설치 및 분리

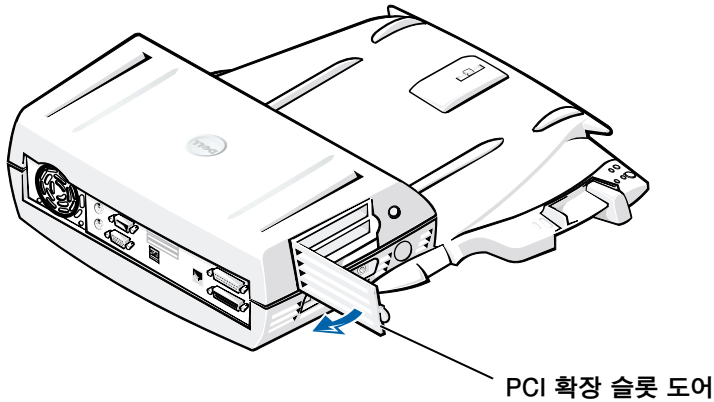
도킹 장치에 PCI(Peripheral Component Interconnect) 확장 카드를 설치하려면 다음 단계를 수행하십시오.

 **주:** 상단 슬롯에는 25.4cm(10 인치) 이하의 3.3V 나 5V PCI 확장 카드를 설치하고, 하단 슬롯에는 15.5cm(6.9 인치) 이하의 3.3V 나 5V PCI 확장 카드를 설치하십시오.

 **주의사항:** 다음 절차에서 언급한 것을 제외하고는 도킹 장치 안에 있는 어떠한 것도 만지거나 건드리지 마십시오. 다른 물체를 건드리는 경우 도킹 장치가 손상될 수 있으며 이런 경우 보증을 받을 수 없습니다.

- 1 모든 파일을 저장하고 모든 응용프로그램을 닫은 다음, 운영 체제를 종료하십시오.
- 2 시스템의 전원을 끄십시오.
- 3 모니터 받침대에서 모니터를 분리하십시오. 도킹 장치에서 모니터 받침대를 분리하십시오.
- 4 배출/잠금 레버를 열림 위치에 두어 컴퓨터를 도킹 해제하십시오.
- 5 도킹 장치의 AC 어댑터 케이블을 포함한 모든 케이블을 분리하십시오. 배출/잠금 레버가 후면/잠금 위치에 있는지 확인하십시오.
- 6 PCI 확장 슬롯 도어에 있는 래치를 눌러 분리하십시오.  
다음 그림을 참조하십시오.


## PCI 확장 슬롯 도어 및 확장 카드 커넥터




- 7 양쪽에 있는 두 단추를 누르면서 덮개를 도킹 장치 뒤쪽으로 돌려 덮개를 분리하십시오. 덮개를 뒤쪽으로 돌린 다음 도킹 장치 후면에 있는 힌지 탭을 풀고 상단 덮개를 완전히 분리하십시오.  
“상단 덮개 분리” 그림을 참조하십시오.
- 8 비어 있는 장착 브래킷의 나사를 분리하고 나중에 사용할 경우에 대비하여 보관하십시오.  
장착 브래킷을 분리하십시오. PCI 카드가 설치되어 있는 경우 카드의 바깥쪽 모서리를 잡고 커넥터 밖으로 빼내어 분리하십시오.
- 9 PCI 확장 카드를 설치하십시오.
  - a 카드의 카드 에지 커넥터를 확장 카드 커넥터에 넣으십시오.
  - b 카드가 완전히 장착될 때까지 커넥터쪽으로 카드 측면을 고정시키십시오.
- 10 PCI 카드 브래킷에 나사를 다시 조여 PCI 카드를 고정시키십시오.
- 11 먼저 힌지 탭을 끼우고 덮개의 전면을 부드럽게 낮춰 제자리에 다시 끼우십시오. 측면 단추가 제자리에 들어가는 소리가 나면, 덮개가 올바르게 정렬된 것입니다.
- 12 5 단계에서 분리했던 AC 어댑터 케이블을 포함한 모든 케이블을 다시 연결하십시오.
- 13 컴퓨터를 도킹하십시오.

- 14 도킹 장치에 모니터 받침대를 다시 설치하고 받침대 위에 모니터를 설치하십시오.
- 15 컴퓨터를 켜십시오.
- 16 PCI 카드용 드라이버를 설치하십시오.

도킹 장치와 함께 16/4 토큰 링 PCI 어댑터 네트워크 카드가 제공된 경우, CD에 드라이버 및 설치 지침이 포함되어 있습니다.


 **주:** 16/4 토큰 링 PCI 어댑터 네트워크 카드용 네트워크 드라이버를 설치하려면 드라이버를 설치하기 전에 네트워크에 컴퓨터를 연결하십시오. 네트워크에 도킹 장치를 연결하기 전에 네트워크 관리자와 상의하십시오.


Dell에서 구입하지 않은 PCI 카드를 사용하는 경우에는 카드 제조업체에서 제공하는 드라이버와 지침을 이용하십시오.

 **주:** Dell에서 설치한 16/4 토큰 링 PCI 어댑터 네트워크 카드는 C/Dock II 확장 스테이션용으로 검사를 마친 것입니다. 다른 업체의 PCI 확장 카드를 사용해도 되지만 카드 작동에 대해 Dell에서 보증하지는 않습니다.


## C/Dock II 매체 베이 사용

C/Dock II 확장 스테이션 매체 베이를 이용하여 컴퓨터에 여러 매체 장치를 사용할 수 있습니다 (플로피 드라이브 또는 CD 드라이브).

 **주의사항:** 도킹 장치 또는 매체 장치가 손상되지 않도록 하려면, 컴퓨터에서 일반적으로 사용하는 도킹 장치 매체 베이에만 장치를 설치하십시오.

 **주의사항:** 도킹 장치가 손상되지 않도록 하려면 도킹 장치 매체 베이에 Dell Latitude 컴퓨터의 휴대용 모듈이나 전지를 설치하지 마십시오.

도킹 장치 매체 베이에 컴퓨터의 매에 장치를 설치하려면 다음 단계를 수행하십시오.

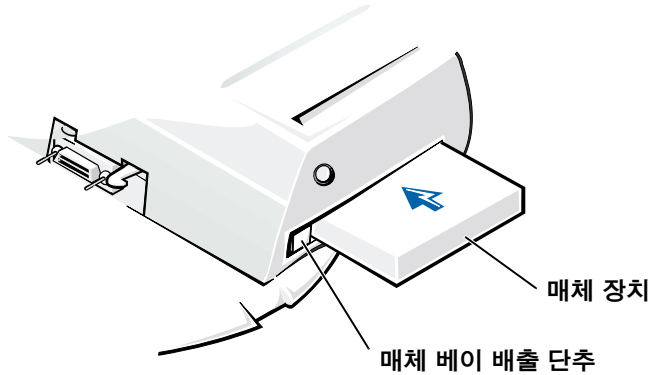
 **주:** 매체 베이 장치를 설치하기 전에 배출 / 잠금 레버가 열림 위치에 있는지 반드시 확인하십시오.

- 1 모든 파일을 저장하고 모든 응용프로그램을 닫은 다음, 운영 체제를 종료하십시오.
- 2 시스템의 전원을 끄십시오.

- 3 도킹 장치 매체 베이에서 매체 장치를 분리하십시오 .

매체 베이 배출 단추를 누르십시오 (“매체 베이에 매체 장치 설치” 그림 참조). 장치의 일부가 매체 베이 밖으로 나오면, 나머지를 조심스럽게 분리하십시오 .

#### 매체 베이에 매체 장치 설치



- 4 도킹 장치 매체 베이로 설치하려는 매체 장치를 넣으십시오 (“매체 베이에 매체 장치 설치” 그림 참조).
- 5 장치를 눌러 단단히 고정시키십시오 .  
장치가 올바르게 장착되면 '딸깍' 하는 소리가 납니다 .  
장치를 올바르게 장착하지 않으면 매체 베이 안이 느슨합니다 .  
장치를 다시 장착하십시오 .
- 6 컴퓨터를 켜십시오 .

#### Softex Docking Services 가 있는 Windows NT 4.0 에 매체 장치 설치

Softex Docking services 가 있는 Windows NT 에서는 매체 베이에서 장치를 핫 스왑할 수 있습니다 . 자세한 내용은 웹사이트

<http://support.dell.com> 에서 "Windows NT 및 Softex Docking Services 로 도킹 " 및 « Softex Docking Services 사용 설명서 »를 참조하십시오 .

## C/Dock 확장 스테이션 보호

### 보안 기능

도킹 장치에는 다음과 같은 보안 기능이 있습니다 :

- 컴퓨터를 배출하고 고정할 수 있는 배출/잠금 레버. 후면 위치에서는 컴퓨터를 C/Dock II 확장 스테이션에 고정시킵니다. 중간 위치에서는 보안 장치 없이 도킹 장치를 사용할 수 있습니다. 전면 위치에서는 도킹 장치에서 컴퓨터를 배출할 수 있습니다. 배출 / 잠금 레버를 뒤쪽으로 밀어서 자물쇠 보안 잠금 및 고정 잠금 슬롯을 사용하십시오.
- 컴퓨터 밑면의 고정 슬롯에 고정시켜 컴퓨터를 도킹 제어대에 고정시키는 받침대 전면의 스프링이 적재된 래치 일부 Dell 휴대용 컴퓨터에 고정 슬롯이 있습니다.
- PCI 카드를 분리하기 위한 접근을 방지해 주는 고정된 덮개
- 매체 베이 장치의 분리를 방지하는 보호된 매체 베이 배출 단추
- 컴퓨터의 무단 이동을 막기 위한 고정된 캐치 래치

### C/Dock II 확장 스테이션 고정

다음과 같은 방법을 사용하여 도킹 장치를 보호하십시오 :

- 자물쇠만 사용하거나 자물쇠와 도킹 장치에 있는 자물쇠 슬롯에 고리 모양의 케이블을 사용하십시오 (“도킹 제어대 제어부 및 표시등” 그림 참조).

자물쇠를 사용하면 배출 레버가 고정되어 도킹 장치에서 컴퓨터를 쉽게 분리하지 못합니다.

고리 모양의 고정 케이블을 고정된 물체에 감고 자물쇠로 잠그면 컴퓨터와 C/Dock 확장 스테이션이 무단으로 이동되는 것을 방지할 수 있습니다.

- 시중에서 판매하는 도난 방지 장치를 도킹 장치의 고정 잠금 슬롯에 연결하십시오 (“도킹 제어대 제어부 및 표시등” 그림 참조).

도난 방지 장치에는 대개 금속 부분으로 처리된 케이블 및 열쇠가 포함되어 있습니다. Kensington 자물쇠를 사용하는 것이 좋습니다. 이러한 도난 방지 장치를 설치하는 내용은 장치와 함께 제공되는 설명서를 참조하십시오.

# Dell 진단 프로그램

Dell Latitude 컴퓨터와 함께 제공되는 Dell Diagnostics에는 여러 검사가 포함되어 있어 도킹 장치의 컨트롤러 문제를 해결하는데 도움이 됩니다.

Dell Diagnostics의 **Network Interface** 검사 그룹의 하위 검사에서는 도킹 장치에 있는 네트워크 컨트롤러의 기본 작동을 점검합니다. 또한 레지스터에 쓰거나 읽는 접속 기능, 내부 전송과 수신 기능(루프백)을 포함한 컨트롤러의 내부 기능을 검사합니다.

**Serial/Infrared Ports** 검사 그룹의 하위 검사에서는 외장형 장치(예를 들면 직렬 마우스 또는 프린터)로 도킹 장치의 인터페이스를 검사합니다. 이 검사 그룹의 하위 검사에서는 외부 장치 자체의 진단 검사를 하지 않습니다.

**USB** 검사 그룹의 하위 검사에서는 외장형 장치(예를 들면 마우스)로 도킹 장치의 인터페이스를 검사합니다. 이 검사 그룹의 하위 검사에서는 외부 장치 자체의 진단 검사를 하지 않습니다.

Dell Diagnostics 사용에 대한 보다 자세한 내용은 컴퓨터 《사용 설명서》를 참조하십시오.

## 기술 사양

### 기술 사양

---

#### 규격

---

#### 높이 :

모니터 받침대 포함	10.9cm(4.3 인치)
------------	----------------

자체 무게	10.9cm(4.3 인치)
-------	----------------

#### 깊이 :

모니터 받침대 포함	50.0cm(19.7 인치)
------------	-----------------

자체 무게	47.0cm(18.5 인치)
-------	-----------------

#### 폭 :

모니터 받침대 포함	43.5cm(17.1 인치)
------------	-----------------

자체 무게	42.0cm(16.5 인치)
-------	-----------------

---

## 기술 사양

### 규격

무게 :

모니터 받침대 포함	5.5kg(12.0lb)
자체 무게	4.1kg(9.0lb)

### 전원

AC 어댑터 입력 :

전압	100-240VAC, 50-60Hz
암페어	1.5A

C/Dock II 확장 스테이션 입력 :

전압	AC 어댑터에서 20VDC 필요
암페어	3.5A

### I/O

직렬 (DTE)	16550 호환, 16 바이트 버퍼 커넥터
병렬	단방향, 양방향 또는 ECP 커넥터
PS/2	미니 DIN 커넥터 2 개
USB	USB 준수 커넥터 2 개
적외선	IrDA Standards 1.1 (Fast IR) 및 1.0 과 호환가능한 적외선 포트
오디오 출력 라인	마이크로폰 입력 잭, 입력 라인 / 오디오 입력 잭 (녹음 / 재생 장치용), 오디오 출력 라인 잭 (헤드폰용)
SCSI	Ultra SCSI, 50 핀, 초소형 D 커넥터
비디오	커넥터 1 개
네트워크	RJ45 커넥터 1 개
도킹 (컴퓨터로 연결)	커넥터 1 개

### Ethernet 네트워크 컨트롤러

칩셋	3Com <sup>®</sup> 3C920, 10/100 BASE-TX(PC99 준수)
데이터 버스 폭	32 비트 PCI 호스트 버스 인터페이스
IRQ	IRQ10



## 기술 사양

### SCSI 컨트롤러

칩셋	Adaptec AIDC 7880C
데이터 버스 폭	8 비트 SCSI 버스, 32 비트 PCI 호스트 버스 인터페이스
데이터 전송률	20MB/sec
IRQ	IRQ10

## 안전 지침 및 EMC 규정 : 휴대용 컴퓨터

다음은 안전 지침 및 EMC(Electromagnetic Compatibility) 규정에만 사용된 추가 기호의 정의입니다.



폭발 위험



항공기에 탑승하는 경우



화재 위험



이 기능은 비행시 사용 금지



전기 충격 위험



안전 지침

### 일반

- 도킹 스테이션을 설치할 경우, 평평한 곳에 놓고 작업하십시오.
- 공인 서비스 기술자만 도킹 스테이션을 수리해야 합니다. 반드시 설치 지시사항에 따르십시오.
- AC 어댑터와 함께 연장 전원 케이블을 사용하는 경우, 연장 전원 케이블에 연결하는 제품의 총 암페어 등급이 연장 케이블의 암페어 등급을 초과하지 않도록 확인하십시오.



- 컴퓨터의 구멍이나 환기구에 아무 것도 넣지 마십시오. 내부 구성요소가 단락되어 화재나 감전 사고가 발생할 수 있습니다.



- 컴퓨터를 사용하거나 전지를 교체할 때에는 책상 위나 바닥과 같이 환기가 잘 되는 곳에 AC 어댑터를 두십시오. AC 어댑터 위에 종이나 기타 다른 물체를 놓지 마십시오. 또한 운송 상자에 AC 어댑터를 든 채로 사용하지 마십시오.



- 욕실, 싱크대, 수영장, 지하실과 같이 습기가 많은 곳에서 컴퓨터를 사용하지 마십시오.



- 뇌우시 전기 충격을 받지 않으려면 케이블을 연결하고 분리하거나, 제품을 유지보수하고 재구성하지 마십시오. 뇌우시 컴퓨터의 모든 케이블이 분리되어 있지 않고 전지 전력으로 작동하지 않는 경우, 컴퓨터를 사용하지 마십시오.

- 본 설명서에서 지시한대로 도킹 장치에 사용하도록 승인된 AC 어댑터와 전지만 사용하십시오. 다른 종류의 전지 팩이나 AC 어댑터를 사용하면, 화재 또는 폭발의 위험이 있습니다.

- 도킹 스테이션을 청소하기 전에 전원을 끄고 전원 콘센트에서 AC 어댑터를 분리하십시오. 물을 문헌 부드러운 천으로 도킹 스테이션을 청소하십시오. 인화성 물질을 함유한 액체 또는 에어졸 클리너는 사용하지 마십시오.



### 전원 (안전 지침)



- 이 도킹 스테이션에 사용하도록 승인된 Dell 에서 제공하는 AC 어댑터만 사용하십시오. 다른 AC 어댑터를 사용하면 화재나 폭발할 위험이 있습니다.
- 전원 콘센트에 도킹 스테이션을 연결하기 전에 AC 어댑터 전압률이 전원의 해당 전압과 주파수에 맞는 지 확인하십시오.

- 컴퓨터에서 전원 콘센트를 분리하기 전에 컴퓨터를 끄고 전원 콘센트에서 AC 어댑터를 분리하십시오.



- 전기 충격을 피하려면, 제대로 접지된 전원에 AC 어댑터 및 주변장치 전원 케이블을 연결하십시오. 이 전원 케이블에는 접지할 수 있는 3 구 플러그가 달려있습니다. 어댑터 플러그를 사용하지 마십시오. 또는 전원 케이블 플러그에서 접지 끝부분을 제거하지 마십시오. 전원 연장 케이블을 사용하는 경우에는 해당 AC 전원 케이블에 맞는 2 구 또는 3 구 플러그를 사용하십시오.

- AC 어댑터 전원 케이블에 아무 것도 놓지 말고 밟거나 꺾칠 수 있는 곳에 케이블을 두지 마십시오.



- 여러 개의 파워 스트립을 사용하는 경우, 파워 스트립에 AC 어댑터 전원 케이블 연결시 주의하십시오. 일부 파워 스트립은 해당 위치가 아닌 곳이라도 끼워 넣을 수 있습니다. 이런 경우 전기 충격이나 화재 위험 뿐만 아니라 컴퓨터에 영구적인 손상을 입힐 수 있으므로 전원 플러그의 접지구와 파워 스트립의 접지면이 제대로 끼워졌는지 확인하십시오.

## 전지 폐기

본 도킹 장치에는 리튬 이온 전지를 사용합니다. 리튬 이온 전지는 교체할 필요가 거의 없을 정도로 수명이 긴 전지입니다. 그러나 교체해야 하는 경우에는 Dell 도킹 장치 설명서의 「전지 교체」를 참조하십시오.



다 쓴 전지는 가정용 일반 쓰레기와 함께 처리하지 마십시오. 해당 지역의 폐기물 처리 기관에 문의하여 가까운 전지 폐기 처리소에 폐기하십시오.

## 규정사항

EMI(ElectroMagnetic Interference)는 장애물이 없는 장소에서 발산되거나 전원 리드선이나 신호 리드선을 따라 전도되는 모든 전자기 신호 또는 기타 발산되는 것을 말하며, 신호나 무선 항공 또는 기타 안전 서비스 기능을 저해하는 등 무선 통신 서비스를 심하게 방해하거나 지속적으로 차단시킵니다. 무선 통신 서비스에는 AM/FM 상용 방송, TV, 휴대 통신 서비스, 레이더, 항공 관제소, 호출기, PCS(Personal Communication Services) 등을 비롯한 기타 서비스가 포함됩니다. 무선 통신 서비스뿐만 아니라 컴퓨터를 포함한 디지털 장치 등 전자파 발산 장치도 전자파 환경 문제가 되고 있습니다.

EMC(ElectroMagnetic Compatibility)는 전자 환경에서 여러 전자 장치가 함께 제대로 작동하는지를 나타내는 능력입니다. 본 컴퓨터는 규정 기관의 EMI 관련 규제사항에 따라 설계되었으며 이에 부합한다는 판정을 받았으나, 경우에 따라 전자파 장애가 발생할 수 있습니다. 본 장비가 무선 통신 서비스 장애를 일으키는 경우, 컴퓨터를 켜다가 다시 켜거나 다음과 같은 방법으로 장애를 해결하십시오:

- 수신 안테나의 방향을 바꾸십시오.
- 수신기에 영향을 주는 컴퓨터의 위치를 변경하십시오.
- 수신기와 컴퓨터를 멀리 떨어뜨려 놓으십시오.
- 수신기와 컴퓨터가 회로를 공유하지 않도록 컴퓨터의 전원 콘센트를 다른 곳에 꽂으십시오.

필요한 경우 Dell 기술 지원부 또는 숙련된 라디오/TV 기술자에게 문의하여 도움을 받으십시오.

Dell 컴퓨터는 전자기 환경에 적합하도록 설계되고 검사를 거쳐 등급을 취득한 제품입니다. 일반적으로 이러한 전자기 환경 등급은 다음과 같은 내용을 나타냅니다:

- A 등급은 업무용 또는 산업용입니다.
- B 등급은 가정용입니다.


컴퓨터에 통합하거나 연결하는 장치, 확장 카드, 프린터, I/O(Input/Output) 장치, 모니터 등과 같은 ITE(Information Technology Equipment)는 컴퓨터의 전자기 환경 등급과 일치해야 합니다.

**피복된 신호 케이블에 대한 주의사항** : 무선 통신 서비스 간섭 가능성을 줄이기 위해 Dell 장치에 장비를 연결할 때는 피복된 케이블만 사용하십시오 . 피복된 케이블을 사용하면 해당 전자기 환경에 적합한 EMC 등급을 유지할 수 있습니다 . 병렬 프린터의 경우 Dell 에서 공급하는 케이블을 사용하십시오 . 필요한 경우 Dell 월드 와이드 웹 <http://accessories.us.dell.com/> 으로 접속하여 케이블을 주문하십시오 .

대부분의 Dell 컴퓨터는 B 등급으로 분류됩니다 . 그러나 특정 옵션을 포함시킬 경우에는 일부 구성 등급이 A 등급으로 변경됩니다 . 컴퓨터나 장치에 적용된 전자기 등급을 확인하려면 다음과 같은 각 규정기관의 규제사항을 참조하십시오 . 다음 각 항목에서는 국가별 EMC/EMI 또는 제품 안전 정보에 대해 설명합니다 .

### MIC 규정 ( 한국에만 해당 )

본 컴퓨터 ( 또는 기타 Dell 디지털 장치 ) 의 분류 등급 ( A 또는 B ) 을 확인하려면 , 컴퓨터 ( 또는 기타 Dell 디지털 장치 ) 에 표시된 한국 MIC (Ministry of Information and Communications) 등록 레이블을 확인하십시오 . MIC 레이블은 제품에 따라 다르게 표시되어 있습니다 . A 등급인 경우에는 “(A)” 로 , B 등급인 경우에는 “(B)” 로 표시되어 있습니다 .

 **주 :** MIC 방출 조항에서는 다음 두 가지 등급에 대해 규정하고 있습니다 :

- A 등급 장치는 업무용입니다 .
- B 등급 장치는 비업무용입니다 .

### A 등급 장치

기 종 별	사 용 자 안 내 문
A급 기기 (업무용 정보통신기기)	이 기기는 업무용으로 전자파적합등록을 한 기기이오니 판매자 또는 사용자는 이 점을 주의하시기 바라며 만약 잘못 판매 또는 구입하였을 때에는 가정용으로 교환하시기 바랍니다.

이 장치는 전자기 간섭을 고려하여 업무용으로 승인되었습니다 . 이 장치가 사용하기에 부적합한 경우 , 비업무용으로 승인된 장치로 교환할 수 있습니다 .

## MIC A 등급 규정 레이블



1. 기기의 명칭(모델명):
2. 인증번호:
3. 인증받은 자의 상호: (A)
4. 제조년월일:
5. 제조자/제조국가:

## B 등급 장치

기종별	사용자 안내문
B급 기기 (가정용 정보통신기기)	이 기기는 가정용으로 전자파적합등록을 한 기기로서 주거지역에서는 물론 모든 지역에서 사용할 수 있습니다.

이 장치는 비업무용으로 승인되었으며, 주거 환경을 포함한 모든 환경에서 사용할 수 있습니다.

## MIC B 등급 규정 레이블



1. 기기의 명칭(모델명):
2. 인증번호:
3. 인증받은 자의 상호: (B)
4. 제조년월일:
5. 제조자/제조국가:

สถานีขยาย C/Dock II สำหรับคอมพิวเตอร์ Dell™ รุ่น Latitude™

# คู่มือข้อมูลของระบบคอมพิวเตอร์

# หมายเหตุ ข้อสังเกต และข้อควรระวัง



**หมายเหตุ:** หมายเหตุ จะระบุถึงข้อมูลสำคัญซึ่งช่วยให้คุณสามารถใช้ระบบคอมพิวเตอร์ได้ดียิ่งขึ้น



**ข้อสังเกต:** ข้อสังเกต จะระบุถึงความเสียหายที่อาจเกิดขึ้นกับฮาร์ดแวร์หรือการสูญหายของข้อมูล ตลอดจนแนะนำวิธีการหลีกเลี่ยงความเสียหายนั้น ๆ



**ข้อควรระวัง:** ข้อควรระวัง จะระบุถึงสถานการณ์ที่อาจเป็นอันตราย ซึ่งหากไม่หลีกเลี่ยงแล้ว อาจส่งผลให้ได้รับบาดเจ็บเล็กน้อย หรือถึงขั้นเสียชีวิตได้

---

## ข้อมูลในเอกสารฉบับนี้อาจเปลี่ยนแปลงได้โดยไม่ต้องแจ้งให้ทราบล่วงหน้า

© 2001 Dell Computer Corporation สงวนลิขสิทธิ์

ห้ามทำซ้ำส่วนหนึ่งส่วนใดในเอกสารนี้โดยไม่ได้รับอนุญาตเป็นลายลักษณ์อักษรจาก Dell Computer Corporation โดยเด็ดขาด

เครื่องหมายการค้าที่ใช้ในเอกสารนี้ได้แก่ Dell, โลโก้ DELL, Latitude และ DellWare ทั้งหมดนี้เป็นเครื่องหมายการค้าของ Dell Computer Corporation; 3Com เป็นเครื่องหมายการค้าของ 3Com Corporation; Microsoft, Windows และ Windows NT เป็นเครื่องหมายการค้าจดทะเบียนของ Microsoft Corporation

ในเอกสารนี้อาจมีการใช้เครื่องหมายการค้าและชื่อทางการค้าอื่น ๆ เพื่ออ้างถึงเครื่องหมายและชื่อหรือผลิตภัณฑ์ต่าง ๆ ของบริษัทนั้น Dell Computer Corporation ไม่มีผลประโยชน์ทางกรรมสิทธิ์ในเครื่องหมายการค้าและชื่อทางการค้าอื่นใดนอกเหนือจากของทางบริษัทเอง ผลิตภัณฑ์นี้ประกอบด้วยเทคโนโลยีการป้องกันลิขสิทธิ์ซึ่งคุ้มครองโดยสิทธิบัตรของสหรัฐอเมริกา ตลอดจนสิทธิอื่น ๆ ในฐานะที่เป็นทรัพย์สินทางปัญญาโดย Macrovision Corporation และเจ้าของลิขสิทธิ์อื่น การใช้เทคโนโลยีการป้องกันลิขสิทธิ์นี้ต้องได้รับอนุญาตจาก Macrovision Corporation และผลิตภัณฑ์นี้มีวัตถุประสงค์เพื่อใช้งานในบ้านและการใช้งานอื่น ๆ ที่จำกัดเท่านั้น เว้นแต่จะได้รับอนุญาตจาก Macrovision Corporation ห้ามแยกส่วนประกอบหรือรีเวิร์สเอ็นจิเนียริงผลิตภัณฑ์นี้

ตุลาคม 2001 P/N 46279 Rev. A01



สถานีขยาย C/Dock II สำหรับคอมพิวเตอร์ Dell™ รุ่น Latitude™

## คู่มือข้อมูลของระบบคอมพิวเตอร์

เอกสารฉบับนี้ประกอบด้วยข้อมูลเกี่ยวกับการเริ่มต้นใช้งาน ความปลอดภัย ข้อบังคับ และข้อมูลการรับประกันเกี่ยวกับสถานีขยาย C/Dock II สำหรับคอมพิวเตอร์ Dell รุ่น Latitude และข้อมูลเกี่ยวกับเอกสารอื่น ๆ ของ Dell ที่ใช้กันอยู่ ตลอดจนวิธีการรับเอกสารของ Dell

### เอกสารอื่น ๆ ที่มี

- เอกสารอัปเดตซึ่งบางครั้งอาจให้มาพร้อมกับอุปกรณ์สถานีขยาย เพื่ออธิบายการเปลี่ยนแปลงที่เกี่ยวกับอุปกรณ์สถานีขยายหรือซอฟต์แวร์ คุณควรอ่านเอกสารอัปเดตเหล่านี้ *ก่อน* ของเอกสารอื่น ๆ เสมอ เนื่องจากเอกสารเหล่านี้จะเป็นข้อมูลล่าสุด
- เอกสารซึ่งให้มาพร้อมกับอุปกรณ์ตัวเลือกที่คุณซื้อแยกต่างหากจากอุปกรณ์สถานีขยาย เอกสารนี้ประกอบด้วยข้อมูลซึ่งจำเป็นในการตั้งค่าคอนฟิกและติดตั้งอุปกรณ์ตัวเลือกเหล่านี้ในอุปกรณ์สถานีขยาย

### การขอความช่วยเหลือ

Dell ได้จัดเตรียมโปรแกรมทูลหลายอย่าง เพื่อช่วยเหลือคุณในกรณีที่อุปกรณ์สถานีขยายของคุณไม่ทำงานตามที่คาดไว้ โปรดดูข้อมูลเกี่ยวกับ โปรแกรมทูลสำหรับใช้งานได้ที่หัวข้อ “การขอความช่วยเหลือ” ใน *คู่มือการใช้งาน* เครื่องคอมพิวเตอร์

### ข้อมูลทั่วไปของอุปกรณ์สถานีขยาย

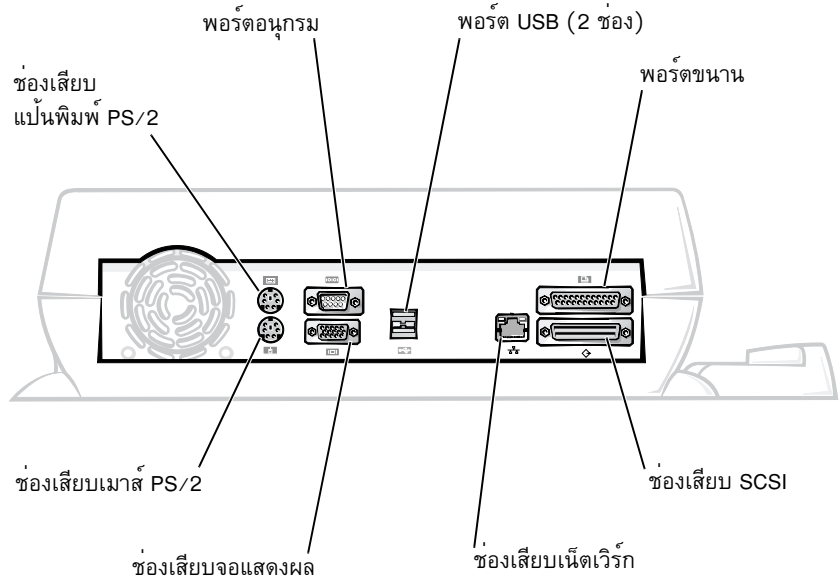


**หมายเหตุ:** คุณต้องแจ้งให้ผู้บริหารระบบเน็ตเวิร์กทราบก่อนที่จะต่ออุปกรณ์สถานีขยายกับระบบเน็ตเวิร์ก

คุณต้องต่ออะแดปเตอร์ AC กับอุปกรณ์สถานีขยาย ก่อนที่จะต่อคอมพิวเตอร์กับอุปกรณ์สถานีขยายและก่อนที่จะเปิดเครื่องคอมพิวเตอร์ อะแดปเตอร์ AC จะจ่ายไฟให้อุปกรณ์สถานีขยายและคอมพิวเตอร์ในเวลาเดียวกัน และจะชาร์จแบตเตอรี่ที่ติดตั้งในคอมพิวเตอร์ ในขณะที่คุณใช้อุปกรณ์สถานีขยายด้วย

- ➡ **ข้อสังเกต:** ให้ใช้อะแดปเตอร์ AC PA-6 ของ Dell ซึ่งให้มากับอุปกรณ์สถานีขยายเสมอ เนื่องจากว่าหากคุณใช้อะแดปเตอร์ AC – ที่มีขายตามท้องตลาดทั่วไป – หรืออะแดปเตอร์ AC จากคอมพิวเตอร์ Dell รุ่นเก่า – อาจทำให้อุปกรณ์สถานีขยายหรือคอมพิวเตอร์เสียหายได้

### แผง I/O ของอุปกรณ์สถานีขยาย

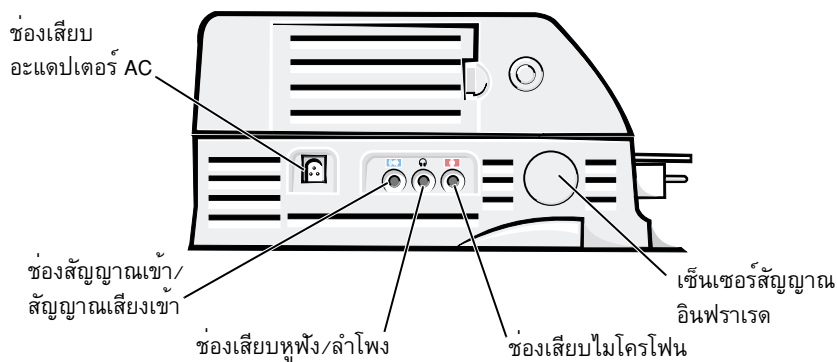


ตาราง “ช่องเสียบ I/O ภายนอก” นี้จะแสดงไอคอนของพอร์ตแต่ละตัวที่อยู่ด้านหลังอุปกรณ์สถานีขยาย รวมถึงจะระบุประเภทอุปกรณ์ภายนอกที่คุณสามารถต่อเข้ากับช่องเสียบแต่ละตัวได้

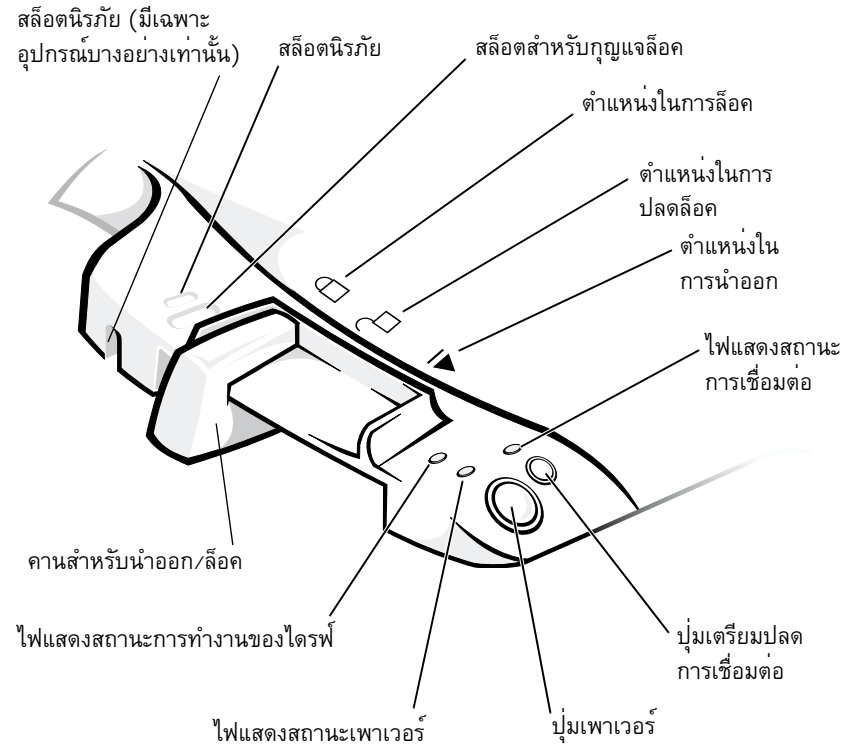
## ช่องเสียบ I/O ภายนอก

ไอคอนแสดงพอร์ต	คำอธิบายช่องเสียบ
	อุปกรณ์ USB หนึ่งหรือสองตัว (อย่างเช่น เมาส์ USB) จะสามารถต่อเข้ากับพอร์ต USB แบบสองทางได้
	แป้นพิมพ์ภายนอกที่ใช้ได้กับ PS/2 หรือคีย์แพดตัวเลขภายนอก จะต่อกับช่องเสียบแป้นพิมพ์แบบ PS/2
	เมาส์ภายนอกที่ใช้ได้กับ PS/2 จะต่อกับช่องเสียบเมาส์แบบ PS/2
	อุปกรณ์ต่อเชื่อมแบบอนุกรม อย่างเช่น เมาส์หรือโมเด็มภายนอก จะต่อกับพอร์ตอนุกรม
	สายอินเทอร์เน็ตเวิร์กต่อกับช่องเสียบ NIC
	อุปกรณ์ต่อเชื่อมแบบขนาน อย่างเช่น เครื่องพิมพ์ จะต่อกับพอร์ตขนาน
	จอภาพภายนอกจะต่อกับช่องเสียบจอแสดงผล
	อะแดปเตอร์ AC ซึ่งใหม่กับอุปกรณ์สถานีขยายจะต่ออยู่กับช่องเสียบอะแดปเตอร์ AC

## ช่องเสียบสัญญาณเสียงและเซ็นเซอร์สัญญาณอินฟราเรด



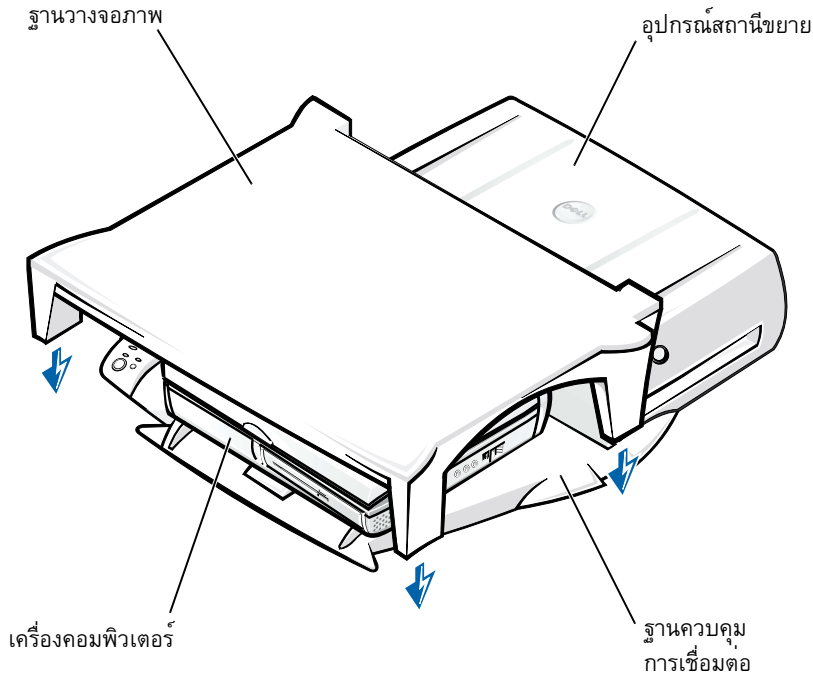
### ฐานควบคุมการเชื่อมต่อและไฟแสดงสถานะ



### ฐานวางจอภาพ

- ➔ **ข้อสังเกต:** ฐานวางจอภาพสามารถรองรับจอแสดงผลที่มีน้ำหนักสูงสุดได้ถึง 45.3 กิโลกรัม (kg) (100 ปอนด์ [lb]) จอภาพที่มีน้ำหนักมากอาจทำให้ฐานวางจอภาพ, คอมพิวเตอร์ และอุปกรณ์สถานีขยายเสียหายได้


## อุปกรณ์สถานีขยายพร้อมฐานวางจอภาพ



**หมายเหตุ:** ตรวจสอบว่าขาด้านหลังของจอภาพอยู่ในสล๊อตหรือด้านใดด้านหนึ่งของฐานควบคุม

## ก่อนที่จะเชื่อมต่อเครื่องคอมพิวเตอร์กับสถานีขยาย

หากระบบปฏิบัติการที่คุณใช้ คือ Microsoft® Windows® 9x, Windows NT® หรือ Windows Millennium (Me) เริ่มแรก คุณต้องตรวจสอบว่ามีไดรเวอร์ของสถานีขยายติดตั้งอยู่ในเครื่องคอมพิวเตอร์ของคุณหรือไม่ หากไม่มี ให้ติดตั้งไดรเวอร์ดังกล่าวก่อนที่จะต่อคอมพิวเตอร์กับสถานีขยายในครั้งแรก ในการติดตั้งไดรเวอร์ของสถานีขยาย ให้ทำตามขั้นตอนใน “การติดตั้งไดรเวอร์ของสถานีขยาย”

 **หมายเหตุ:** หากคอมพิวเตอร์ของคุณใช้ระบบปฏิบัติการวินโดวส์ 2000 จะมีการติดตั้งไดรเวอร์ของสถานีขยายไว้ให้อัตโนมัติ โดยที่คุณไม่จำเป็นต้องทำตามขั้นตอนในหัวข้อ “การติดตั้งไดรเวอร์ของสถานีขยาย” แต่ให้ดูในหัวข้อ “การต่อคอมพิวเตอร์เข้ากับสถานีขยาย”

## ตรวจสอบคอมพิวเตอร์ของคุณว่ามีไดรเวอร์ของสถานีขยายหรือไม่

- 1 ค้างเบิ้ลคลิกที่ **My Computer**
- 2 ค้างเบิ้ลคลิกที่ **Control Panel**
- 3 ค้างเบิ้ลคลิกที่ **Add/Remove Programs**
- 4 ระบุตำแหน่งไดรเวอร์ของสถานีขยายที่ถูกต้องจากรายการ โปรแกรมต่าง ๆ

สำหรับ *วินโดวส์ 9x* และ *วินโดวส์ Me* ให้ตรวจสอบชื่อไดรเวอร์โดยใช้ **การติดตั้งอย่างรวดเร็ว** ตัวอย่างเช่น Dell Dock Quick Install for Windows

สำหรับ *วินโดวส์เอ็นที* ให้ตรวจสอบหา **NT Softex Docking Services**

หากคอมพิวเตอร์ของคุณไม่มีไดรเวอร์ของสถานีขยาย ให้ดูในหัวข้อถัดไป “การติดตั้งไดรเวอร์ของสถานีขยาย” แต่หากคอมพิวเตอร์ของคุณมีไดรเวอร์ของสถานีขยาย ให้ดูในหัวข้อ “การต่อคอมพิวเตอร์เข้ากับสถานีขยาย”

## การติดตั้งไดรเวอร์ของสถานีขยาย

คุณสามารถติดตั้งไดรเวอร์ของสถานีขยายได้ด้วยวิธีใดวิธีหนึ่งต่อไปนี้

- ติดตั้งไดรเวอร์จากแผ่น *ResourceCD* หรือซีดี *Drivers and Utilities* ซึ่งให้มาพร้อมกับเครื่องคอมพิวเตอร์
- ดาวน์โหลดไดรเวอร์จากเว็บไซต์สนับสนุนของ Dell

## การติดตั้งไดรเวอร์สถานีขยายโดยใช้แผ่น *ResourceCD* หรือซีดี *Drivers and Utilities*

- 1 ใส่แผ่น *ResourceCD* หรือซีดี *Drivers and Utilities*

ปกติแล้วซีดีจะเริ่มทำงานเองโดยอัตโนมัติ หากซีดีไม่เริ่มทำงานเอง ให้เปิด Windows Explorer คลิกที่ไดเรกทอรีไดรฟ์ CD เพื่อค้นหาที่มีอยู่ในซีดี แล้วดับเบิ้ลคลิกที่ไฟล์ **autorcd** หากหน้าจอขึ้นต้อนรับปรากฏขึ้น ให้คลิกที่ **Next** หากคุณรันแผ่นซีดีเป็นครั้งแรก คุณจะได้รับคำสั่งให้ติดตั้งไฟล์การตั้งค่าบางไฟล์ด้วย คลิกที่ **OK** และทำตามคำแนะนำที่ปรากฏบนหน้าจอเพื่อดำเนินการต่อไป

- จากเมนูพุดคาวน **Language** บนแถบเครื่องมือ ให้เลือกภาษาที่ต้องการใช้กับไดรเวอร์ (หากมี)

หน้าจออินดีตอนรับจะปรากฏขึ้น

- คลิกที่ **Next**

- ในส่วน **Search Criteria** ให้เลือกรายการที่ต้องการจากเมนูแบบพุดคาวน **System Model** และ **Operating System**

หากเครื่องคอมพิวเตอร์ของคุณใช้ระบบปฏิบัติการวินโดวส์ 9x หรือวินโดวส์ Me ให้เลือกยูทิลิตี้ของระบบจากเมนูแบบพุดคาวน **Device Type** แล้วเลือก **Drivers** จากเมนูแบบพุดคาวนของ **Topic**

หากเครื่องคอมพิวเตอร์ของคุณใช้ระบบปฏิบัติการวินโดวส์อื่นที่ ให้เลือกยูทิลิตี้ของระบบจากเมนูแบบพุดคาวนของ **Device Type** แล้วเลือก **Utilities** จากเมนูแบบพุดคาวนของ **Topic**

หน้าจอจะแสดงลิงก์อย่างน้อยหนึ่งลิงก์ เพื่อให้คุณไปยังไดรเวอร์หรือยูทิลิตี้ที่เครื่องคอมพิวเตอร์ตองใช้

- หากเครื่องคอมพิวเตอร์ของคุณใช้ระบบปฏิบัติการวินโดวส์ 9x หรือวินโดวส์ Me ให้คลิกที่ลิงก์ของยูทิลิตี้ **Dell Dock QuickInstall**

ไฟล์ **Dell Dock QuickInstall** เป็นยูทิลิตี้ที่ติดตั้งไดรเวอร์ของสถานีขยายที่จำเป็นต้องใช้ในคอมพิวเตอร์

หากเครื่องคอมพิวเตอร์ของคุณใช้ระบบปฏิบัติการวินโดวส์อื่นที่ ให้คลิกที่ลิงก์ **Softex Docking Services**

- คลิกที่ปุ่ม **Install** เพื่อเริ่มการติดตั้งแบบอัตโนมัติ ที่หน้าจออินดีตอนรับ ให้ทำตามคำแนะนำที่ปรากฏขึ้นเพื่อทำขั้นตอนการติดตั้งให้เสร็จสมบูรณ์



**หมายเหตุ:** แผ่น Resource CD บางแผ่นต้องการให้ผู้ใช้ดาวน์โหลดผ่านไฟล์เดออร์ เพื่อให้ได้ไดรเวอร์ที่ถูกต้อง โปรดดูคำแนะนำที่สมบูรณ์เกี่ยวกับการติดตั้งไดรเวอร์ใหม่อีกครั้งได้ที่ *คู่มือการใช้*

### การติดตั้งไดรเวอร์ของสถานีขยายจากเว็บไซต์สนับสนุนของ Dell

- ไปยังเว็บไซต์สนับสนุนของ Dell ที่ <http://support.dell.com> หากคุณเข้ามาที่เว็บไซต์นี้เป็นครั้งแรก ในระบประเทศของคุณ โดยการคลิกแผนที่ที่ปรากฏขึ้น

หน้า **Welcome to support.dell.com** จะปรากฏขึ้น

## 2 ป้อนข้อมูลเกี่ยวกับอุปกรณ์สถานีขยายของคุณ จากนั้นคลิกที่ **Go!**

คลิกที่ **Downloads For Your Dell**

หน้าต่าง **Downloads For Your Dell** จะปรากฏขึ้นพร้อมกับแบบฟอร์มสั้น ๆ ให้คุณกรอกรายละเอียดลงไป

## 3 ป้อนเลขที่ป้ายกำกับการบริการของเครื่องคอมพิวเตอร์ของคุณ หรือเลือกระบบของ Dell

## 4 เลือกระบบปฏิบัติการ และภาษาที่ใช้ในระบบปฏิบัติการ

## 5 เลือก **System and Configuration Utilities** เป็นประเภทการดาวน์โหลดที่ต้องการ

## 6 จากนั้นคลิกที่ **Go!**

## 7 หากเครื่องคอมพิวเตอร์ของคุณใช้ระบบปฏิบัติการวินโดวส์ 9x หรือวินโดวส์ Me ให้ค้นหาตำแหน่งและคลิกที่ลิงค์ของยูทิลิตี้ **Dell Dock QuickInstall**

หากเครื่องคอมพิวเตอร์ของคุณใช้ระบบปฏิบัติการวินโดวส์อื่นที่ให้ค้นหาตำแหน่งและคลิกที่ลิงค์ของ **Softex Docking Services**

## 8 ทำตามคำแนะนำที่ปรากฏบนหน้าจอเพื่อดาวน์โหลดและติดตั้งไดรเวอร์ที่จำเป็น

หลังจากดาวน์โหลดไฟล์แล้ว โปรดตรวจสอบไฟล์ **readme.txt** ในไฟล์ที่ดาวน์โหลดไว้เพื่อดูข้อมูลที่สำคัญเกี่ยวกับการติดตั้งก่อนจะติดตั้งไดรเวอร์

## การต่อคอมพิวเตอร์กับสถานีขยาย

หากคุณต่อจอภาพกับอุปกรณ์สถานีขยายและเปิดจอภาพไว้ จะมีภาพปรากฏบนหน้าจอ ในการสลับภาพให้ไปแสดงบนจอแสดงผลของคอมพิวเตอร์ หรือทั้งสองจอ โทคด <Fn><F8>

ขณะที่คุณต่อคอมพิวเตอร์กับอุปกรณ์สถานีขยายและเปิดเครื่องคอมพิวเตอร์ไว้ ไฟเพาเวอร์สีเขียวที่ฐานควบคุมการเชื่อมต่อจะสว่างขึ้น (โปรดดูหัวข้อ “ฐานควบคุมการเชื่อมต่อและไฟแสดงสถานะ”)



**ข้อสังเกต:** เพื่อหลีกเลี่ยงการทำข้อมูลสูญหาย บันทึกไฟล์ที่เปิดไว้ก่อนที่จะต่อคอมพิวเตอร์กับสถานีขยาย



**ข้อสังเกต:** หากคุณติดตั้งการ์ดแสดงผล PCI (Peripheral Component Interconnect) ไว้ในอุปกรณ์สถานีขยาย ให้ปิดคอมพิวเตอร์ก่อนที่จะต่อหรือปลดคอมพิวเตอร์ออกจากสถานีขยาย เพื่อหลีกเลี่ยงการทำข้อมูลสูญหาย

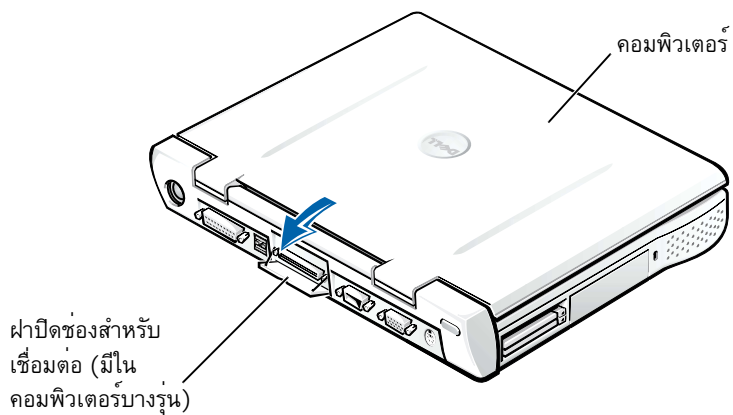


1 บันทึกไฟล์ทั้งหมด ปิดและออกจากโปรแกรมทั้งหมด ออกจากระบบปฏิบัติการ และปิดเครื่องคอมพิวเตอร์

➔ **ข้อสังเกต:** เพื่อหลีกเลี่ยงการทำให้ช่องเสียบเข้าฐานเสียหาย เปิดฝาปิดช่องสำหรับเชื่อมต่อ ก่อนที่จะต่อคอมพิวเตอร์กับอุปกรณ์สถานีขยาย

2 หากคอมพิวเตอร์มีฝาปิดช่องสำหรับเชื่อมต่อ ให้เปิดฝาดังกล่าวที่ด้านหลังของเครื่องคอมพิวเตอร์

### ฝาปิดช่องสำหรับเชื่อมต่อของเครื่องคอมพิวเตอร์

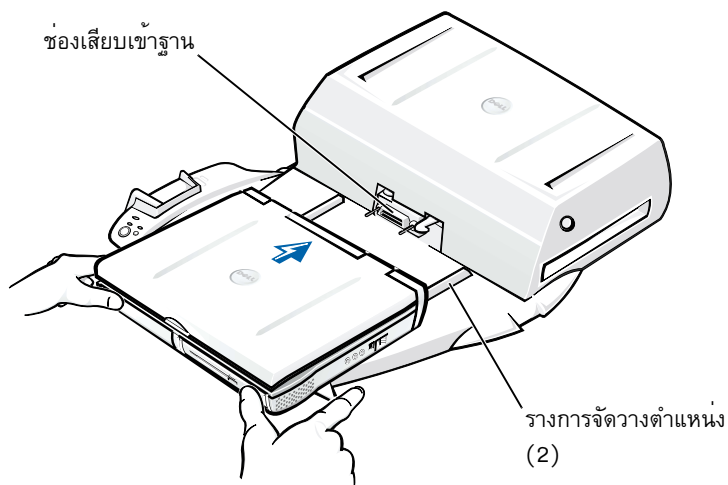


3 หากคุณใช้อุปกรณ์สถานีขยายกับฐานวางจอภาพ ให้ปิดจอแสดงผลของคอมพิวเตอร์

4 ตรวจสอบว่าคานสำหรับนำออก/ถืออยู่ในตำแหน่งปลดล็อก

## 5 ต่อคอมพิวเตอร์กับอุปกรณ์สถานีขยายตามวิธีการดังนี้

### การเชื่อมต่อคอมพิวเตอร์กับสถานีขยาย



- a ให้วางเครื่องคอมพิวเตอร์ลงในแนวราบและอยู่บริเวณตรงกลางแพลตฟอร์มอุปกรณ์สถานีขยาย โดยให้ด้านหลังเครื่องคอมพิวเตอร์หันเข้าช่องเสียบเข้าฐานของอุปกรณ์สถานีขยาย ดังที่แสดงใน “การต่อเครื่องคอมพิวเตอร์กับสถานีขยาย”
- b เลื่อนคอมพิวเตอร์เข้าไปที่ช่องเสียบ จนกระทั่งคุณรับรู้ได้ว่าช่องด้านหลังเครื่องคอมพิวเตอร์ลงร่องในรายการจัดวางตำแหน่ง

- ➡ **ข้อสังเกต:** หากคุณพยายามโดยใช้ทุกวิถีทางในการดันเครื่องคอมพิวเตอร์เข้าไปในอุปกรณ์สถานีขยาย โดยที่ไม่เข้าร่องของรายการจัดวางตำแหน่ง การทำเช่นนี้อาจทำให้ช่องเสียบเข้าฐานเครื่องคอมพิวเตอร์ชำรุดเสียหายจนซ่อมไม่ได้
  - ➡ **ข้อสังเกต:** อย่าดึงคอมพิวเตอร์หรืออุปกรณ์สถานีขยายแยกออกจากกันในขณะที่ต่ออยู่ เนื่องจากอาจทำให้ช่องเสียบบนตัวเครื่องและอุปกรณ์สถานีขยายเสียหายได้
  - ➡ **ข้อสังเกต:** หากคุณใช้จอภาพซึ่งต่อกับฐานวางจอภาพอยู่ ให้ถอดจอภาพดังกล่าวออกจากฐานก่อนที่จะใส่ฐานควบคุมการเชื่อมต่อเข้าที่
- c ค่อย ๆ ดันคอมพิวเตอร์เข้าไป จนกระทั่งเครื่องคอมพิวเตอร์เข้าไปในช่องเสียบเข้าฐานทั้งหมด

## การต่อสถาหนีขยายกับวินโดวส์ XP และวินโดวส์ 2000 เป็นครั้งแรก

- 1 ต่อคอมพิวเตอร์กับสถาหนีขยายและเปิดเครื่อง
- 2 กด <F2> ในระหว่างรูทินการบูตเพื่อดูโปรแกรมการตั้งค้ำระบบ
- 3 ตั้งค้ำ **Docking IRQ** ให้เป็น **Optimized**
- 4 ตั้งค้ำ **Universal Connect** ให้เป็น **Enabled**
- 5 ออกจากโปรแกรมการตั้งค้ำระบบ

เครื่องคอมพิวเตอร์จะทำการบูตต่อไป

ในวินโดวส์ 2000 หน้าจอ **Add New Hardware Wizard** จะปรากฏขึ้น



**หมายเหตุ:** หากเครื่องคอมพิวเตอร์ใช้ระบบปฏิบัติการวินโดวส์ XP ระบบปฏิบัติการจะติดตั้งไดรเวอร์เป็นแบ็คกราวนด์ให้โดยอัตโนมัติ หากเครื่องคอมพิวเตอร์ใช้ระบบปฏิบัติการวินโดวส์ 2000 โปรแกรม Add New Hardware Wizard จะติดตั้งไดรเวอร์ให้โดยอัตโนมัติ



**หมายเหตุ:** หากเครื่องคอมพิวเตอร์ใช้ระบบปฏิบัติการวินโดวส์ XP และวินโดวส์ 2000 คุณสามารถดูข้อมูลการติดตั้งไดรเวอร์ใหม่อีกครั้ง หรือตรวจดูการติดตั้งไดรเวอร์ที่ดีที่สุดได้ที่ “การอัปเดตไดรเวอร์ในวินโดวส์ XP, วินโดวส์ 2000 หรือวินโดวส์ Me” ในคู่มือฉบับนี้ในลำดับต่อไป

## การต่อสถาหนีขยายกับวินโดวส์ Me ในครั้งแรก

- 1 ต่อคอมพิวเตอร์กับสถาหนีขยายและเปิดเครื่อง
  - 2 กดปุ่ม <F2> ในระหว่างรูทินการบูตเพื่อดูโปรแกรมการตั้งค้ำระบบ
  - 3 ตั้งค้ำ **Docking IRQ** ให้เป็น **Optimized**
  - 4 ตั้งค้ำ **Universal Connect** ให้เป็น **Enabled**
  - 5 ออกจากโปรแกรมการตั้งค้ำระบบ
- เครื่องคอมพิวเตอร์จะทำการบูตต่อไป
- หน้าต่าง **Add New Hardware Wizard** จะปรากฏขึ้น
- 6 เลือก **Search for the Best Driver for Your Device (Recommended)** และคลิกที่ **Next**
  - 7 คลิก **Next**
  - 8 ทำตามค้ำสั่งที่ระบบแสดงขึ้นมาใน **Add New Hardware Wizard**
  - 9 เมื่อมีค้ำสั่งแสดงขึ้นมา ให้เลือก **Search for the Best Driver for Your Device (Recommended)** และคลิกที่ **Next**

- 10 ทำตามคำสั่งที่ระบบแสดงขึ้นมา เพื่อให้การติดตั้งเสร็จสมบูรณ์  
เดสก์ท็อปของวินโดวส์จะปรากฏขึ้นและขั้นตอนการติดตั้งเสร็จสมบูรณ์แล้ว

### การต่อเครื่องคอมพิวเตอร์ซึ่งใช้วินโดวส์เอ็นที 4.0 กับสถานีขยายเป็นครั้งแรก

- 1 ต่อคอมพิวเตอร์กับสถานีขยายและเปิดเครื่อง
- 2 กดปุ่ม <F2> ในระหว่างรูปที่การบูต หรือกด <Fn><F1> หลังจากทีบูตเครื่องเพื่อดูข้อมูลในโปรแกรมการตั้งค่าระบบ
- 3 ตั้งค่า **Docking IRQ** ให้เป็น **Optimized**
- 4 ตั้งค่า **Universal Connect** ให้เป็น **Enabled**
- 5 ออกจากโปรแกรมการตั้งค่าระบบ
- 6 กด <Ctrl><Alt><Del> เพื่อเข้าสู่ระบบ  
หน้าต่าง **Docking Station Setup** จะปรากฏขึ้น และแจ้งให้ทราบว่าคุณต้องปลดการเชื่อมต่อกับสถานีก่อนที่จะดำเนินการในขั้นตอนต่อไป
- 7 คลิก **OK** และรอให้คอมพิวเตอร์ปิดเครื่อง
- 8 ปลดเครื่องคอมพิวเตอร์ออกจากสถานีขยาย (โปรดดูที่หัวข้อ “การปลดเครื่องคอมพิวเตอร์ออกจากสถานีขยาย”)  
คอมพิวเตอร์จะบูตเครื่องใหม่โดยอัตโนมัติ หากเครื่องไม่บูต ให้เปิดคอมพิวเตอร์เอง
- 9 เลือก **OK** ที่หน้าต่าง **Device Removal**
- 10 คลิกที่ **Start** และเลือก **Shut Down**
- 11 รอให้คอมพิวเตอร์ปิดเครื่อง แล้วจึงต่อคอมพิวเตอร์เข้ากับอุปกรณ์สถานีขยายอีกครั้ง  
คอมพิวเตอร์จะบูตเครื่องใหม่โดยอัตโนมัติ หากเครื่องไม่บูต ให้เปิดคอมพิวเตอร์เอง
- 12 กด <Ctrl><Alt><Del> เพื่อเข้าสู่ระบบ  
เครื่องคอมพิวเตอร์จะตรวจจับอุปกรณ์ตัวใหม่โดยอัตโนมัติ
- 13 เมื่อระบบแสดงคำสั่ง ให้เลือก **Install System Provided Driver for the Selected Device (Recommended)** และคลิกที่ **OK**
- 14 คลิก **Continue** ที่หน้าต่าง **Windows NT Setup**
- 15 เลือก **Install System Provided Driver for the Selected Device (Recommended)** และคลิก **OK**

16 เลือกชื่อคอนโทรลเลอร์อินเทอร์เน็ตสำหรับเน็ตเวิร์ก (NIC) จากเมนูแบบดรอปดาวน์

17 เลือกว่าจะให้เซิร์ฟเวอร์ระบุ IP แอดเดรสให้กับเน็ตเวิร์กอะแดปเตอร์ หรือจะระบุ IP แอดเดรสเอง

หากคุณไม่ทราบว่าเลือกแบบใด โปรดปรึกษาผู้บริหารระบบของคุณ

18 ทำตามคำสั่งที่ระบบแสดงขึ้นมา เพื่อให้การติดตั้งเสร็จสมบูรณ์

เดสก์ท็อปของวินโดวส์จะปรากฏขึ้นและขั้นตอนการติดตั้งเสร็จสมบูรณ์แล้ว

คอมพิวเตอร์ไม่สามารถเข้าสู่โหมด Suspend-to-disk ได้ในขณะที่ต่ออยู่กับสถานีขยาย

## การต่อเครื่องคอมพิวเตอร์ซึ่งใช้วินโดวส์ 98 กับสถานีขยายเป็นครั้งแรก

1 ต่อคอมพิวเตอร์กับสถานีขยายและเปิดเครื่อง

2 กด <F2> ในระหว่างรูทีนการบูต หรือกด <Fn><F1> หลังจากทีบูตเครื่องเพื่อดูข้อมูลในโปรแกรมการตั้งค่าระบบ

3 ตั้งค่า **Docking IRQ** ให้เป็น **Optimized**

4 ตั้งค่า **Universal Connect** ให้เป็น **Enabled**

5 ออกจากโปรแกรมการตั้งค่าระบบ

6 หากหน้าต่าง **Configuration Setup** ปรากฏขึ้น ให้คลิกที่ **OK**

หน้าต่าง **Add New Hardware Wizard** จะปรากฏขึ้น

7 คลิก **Next**

8 เลือก **Search for the Best Driver for Your Device (Recommended)** และคลิกที่ **Next**

9 ลบเครื่องหมายกากบาทที่อยู่ข้างตัวเลือกแต่ละตัว และคลิกที่ **Next**

จะมีหน้าต่างปรากฏขึ้น แสดงว่าวินโดวส์พร้อมจะตรวจหาไดรเวอร์ที่เหมาะสมที่สุดสำหรับอุปกรณ์ที่ติดตั้ง


10 ทำตามคำสั่งที่ระบบแสดงขึ้นมาใน **Add New Hardware Wizard**

11 เมื่อมีคำสั่งแสดงขึ้นมา ให้เลือก **Search for the Best Driver for Your Device (Recommended)** และคลิกที่ **Next**

12 ทำตามคำสั่งที่ระบบแสดงขึ้นมา เพื่อให้การติดตั้งเสร็จสมบูรณ์

เดสก์ท็อปของวินโดวส์จะปรากฏขึ้นและขั้นตอนการติดตั้งเสร็จสมบูรณ์แล้ว

## การต่อเครื่องคอมพิวเตอร์ซึ่งใช้วินโดวส์ 95 กับสถานีขยายเป็นครั้งแรก

- 1 ต่อคอมพิวเตอร์กับสถานีขยายและเปิดเครื่อง
  - 2 กด <F2> ในระหว่างรูทีนการบูต หรือกด <Fn><F1> หลังจากทีบูตเครื่อง เพื่อดูข้อมูลในโปรแกรมการตั้งค่าระบบ
  - 3 ตั้งค่า **Docking IRQ** ให้เป็น **Optimized**
  - 4 ตั้งค่า **Universal Connect** ให้เป็น **Enabled**
  - 5 ออกจากโปรแกรมการตั้งค่าระบบ  
เครื่องคอมพิวเตอร์จะตรวจพบฮาร์ดแวร์ใหม่ได้โดยอัตโนมัติ
  - 6 คลิก **Yes** ที่หน้าต่าง **System Settings Change**  
เครื่องคอมพิวเตอร์จะบูตระบบใหม่และตรวจพบฮาร์ดแวร์ใหม่ได้โดยอัตโนมัติ
  - 7 หากหน้าต่าง **Configuration Setup** ปรากฏขึ้น ให้คลิก **OK**
  - 8 คลิก **OK** ที่หน้าต่าง **Network**
  - 9 เลือกแท็บ **Identification** ที่หน้าต่าง **Network** ถัดไป
  - 10 ป้อนข้อมูล **Computer Name** และ **Workgroup** ที่ใช้ระบุถึงคอมพิวเตอร์ของคุณในเน็ตเวิร์ก และคลิก **Close**  
หากคุณไม่แน่ใจว่าได้ป้อน **Computer Name** และ **Workgroup** ให้ตรวจสอบกับผู้บริหารระบบของคุณ
-  **หมายเหตุ:** คุณต้องป้อน **Computer Name** และ **Workgroup** เพื่อดำเนินการติดตั้งไดรเวอร์ต่อไปได้
- คอมพิวเตอร์จะคัดลอกไฟล์และสร้างฐานข้อมูลของไดรเวอร์ให้โดยอัตโนมัติ
- 11 คลิก **Yes** ที่หน้าต่าง **System Settings Change**  
เครื่องคอมพิวเตอร์จะบูตเครื่องใหม่  
หน้าต่าง **Enter Network Password** จะปรากฏขึ้น หากคุณไม่ต้องการตั้งชื่อผู้ใช้และรหัสผ่าน ในขณะนี้ หรือยังไม่ได้อำหนดผู้ใช้ให้กับผู้ดูแลระบบของคุณ ให้คลิก **Cancel**  
The computer automatically detects new hardware
  - 12 คลิก **OK** ที่หน้าต่าง **Configuration Setup**  
เดสก์ทอปของวินโดวส์จะปรากฏขึ้นและขั้นตอนการติดตั้งเสร็จสมบูรณ์แล้ว



**หมายเหตุ:** ในการใช้พอร์ต USB คุณต้องติดตั้ง USB supplement จากแผ่น *ResourceCD* ซึ่งอยู่ในไดเรกทอรี **Win95\OSUpdate** หากคุณติดตั้ง USB supplement เครื่องคอมพิวเตอร์ของคุณจะไม่สามารถเข้าสู่โหมด Suspend ได้ Dell ขอแนะนำว่าคุณไม่ควรติดตั้ง USB supplement เว้นเสียแต่ว่าคุณตั้งใจที่จะใช้อุปกรณ์ USB จริง ๆ

## การอัปเดตไดรเวอร์ในวินโดวส์ XP และวินโดวส์ 2000

ในการอัปเดตไดรเวอร์ในวินโดวส์ XP และวินโดวส์ 2000 ให้ปฏิบัติตามขั้นตอนดังต่อไปนี้

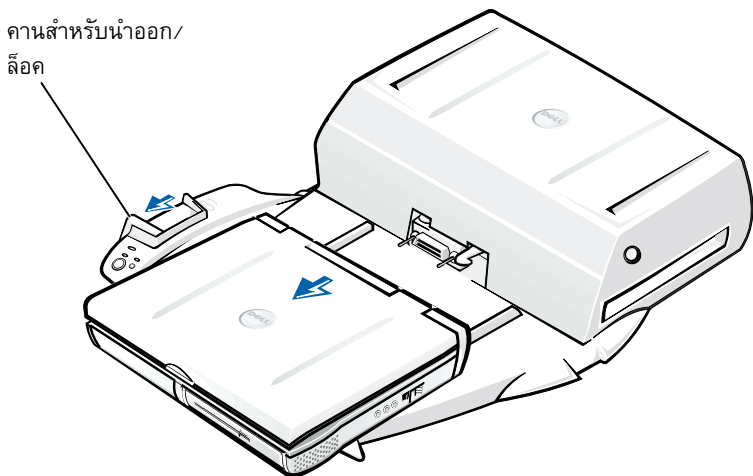
- 1 คลิกขวาที่ **My Computer** และคลิกที่ **Manage** (ในวินโดวส์ XP ให้คลิกปุ่ม **Start** เพื่อเข้าไปที่ **My Computer** ส่วนในวินโดวส์ 2000 นั้น **My Computer** จะอยู่บนเดสก์ทอปของวินโดวส์)
- 2 ในหน้าต่าง **Computer Management** ให้คลิกที่ **Device Manager** และดับเบิลคลิกที่ **Network adapters**
- 3 ดับเบิลคลิกที่ **3Com 3C920 Integrated Fast Ethernet Controller**
- 4 คลิกที่แท็บ **Driver**
- 5 คลิกที่ **Update Driver...** และทำตามพรอมต์ที่ปรากฏ

## การอัปเดตไดรเวอร์ในวินโดวส์ Me

ในการอัปเดตไดรเวอร์ในวินโดวส์ Me ให้ปฏิบัติตามขั้นตอนดังต่อไปนี้

- 1 คลิกขวาที่ **My Computer** ที่อยู่บนเดสก์ทอป และคลิกที่ **Properties**
- 2 ในหน้าต่าง **System Properties** ให้คลิกที่แท็บ **Device Manager** และดับเบิลคลิกที่ **Network adapters**
- 3 ดับเบิลคลิกที่ **3Com 3C920 Integrated Fast Ethernet Controller**
- 4 คลิกที่แท็บ **Driver**
- 5 คลิกที่ **Update Driver...** และทำตามพรอมต์ที่ปรากฏ

## การปลดเครื่องคอมพิวเตอร์ออกจากสถานีขยาย



- ➡ **ข้อสังเกต:** หากคอมพิวเตอร์ไม่มีพลังงานจากแบตเตอรี่ คอมพิวเตอร์จะปิดเครื่อง ขณะที่คุณถอดเครื่องออกจากสถานีขยาย และข้อมูลทั้งหมดที่ไม่ได้บันทึกไว้ก็จะหายไป
- ➡ **ข้อสังเกต:** ห้ามถอดคอมพิวเตอร์ออกจากสถานีขยายโดยไม่ได้เตรียมเครื่องให้พร้อมก่อน หากคุณปลดการต่อเครื่องก่อนการเตรียมเครื่องคอมพิวเตอร์ให้พร้อม ข้อมูลอาจจะหายไป และเครื่องคอมพิวเตอร์อาจไม่สามารถกลับสู่สถานะการทำงานเดิมชั่วขณะหนึ่ง หรืออาจไม่ทำงานอีกเลย

ในการเตรียมถอดเครื่องคอมพิวเตอร์ออกจากสถานีขยาย ให้ทำตามวิธีใดวิธีหนึ่งต่อไปนี้

- กดปุ่ม <Fn><Esc> บนแป้นพิมพ์ของเครื่องคอมพิวเตอร์ (หรือ <Scroll Lock><Esc> บนแป้นพิมพ์ภายนอก)  
รอสักครู่ให้ไฟเพาเวอร์ที่เครื่องคอมพิวเตอร์ดับลง
- ในวินโดวส์ XP ให้คลิกที่ **Start** แล้วคลิก **Undock Computer**

ในวินโดวส์ 95, วินโดวส์ 98, วินโดวส์ Me หรือวินโดวส์ 2000 ให้คลิกที่ **Start** แล้วคลิก **Eject PC**

ในวินโดวส์ NT ให้คลิกที่ไอคอนการต่อสถานีขยายที่อยู่บนทาสก์บาร์ แล้วคลิกที่ **Undock** เพื่อให้คอมพิวเตอร์อยู่ในโหมด Suspend

รอสักครู่ เพื่อให้ไฟเพาเวอร์ที่เครื่องคอมพิวเตอร์ดับลง



- กดปุ่มเตรียมปลดการเชื่อมต่อที่ฐานควบคุมการเชื่อมต่อสถานีขยาย (โปรดดูรูปในหัวข้อ “ฐานควบคุมการเชื่อมต่อและไฟแสดงสถานะ”) แล้วรอสักครู่ให้ไฟสีเขียวของสถานีขยายดับลง

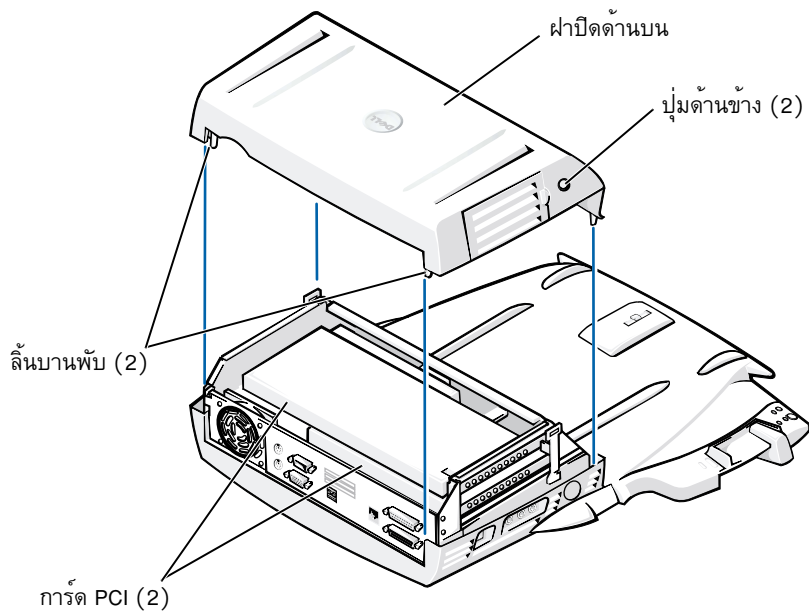
## การเปลี่ยนแบตเตอรี่

อุปกรณ์สถานีขยายของคุณใช้แบตเตอรี่ลิเธียม ไอออน แบตเตอรี่ลิเธียม ไอออนเป็นแบตเตอรี่ที่ใช้งานได้นาน ดังนั้น จึงเป็นไปได้ว่าคุณไม่จำเป็นต้องเปลี่ยนแบตเตอรี่ก่อนใหม่เลย อย่างไรก็ตาม ในกรณีที่ว่าคุณต้องเปลี่ยนแบตเตอรี่ ให้ทำตามขั้นตอนต่อไปนี้

**⚠️ ข้อควรระวัง: หากติดตั้งไม่ถูกต้อง แบตเตอรี่ใหม่อาจจะระเบิดได้ ดังนั้นให้เปลี่ยนแบตเตอรี่เฉพาะที่เป็นชนิดเดียวกับของเดิม หรือเทียบเท่ากันตามที่ผู้ผลิตแนะนำ และให้ทิ้งแบตเตอรี่ที่ใช้แล้วตามคำแนะนำของผู้ผลิตแบตเตอรี่นั้น**

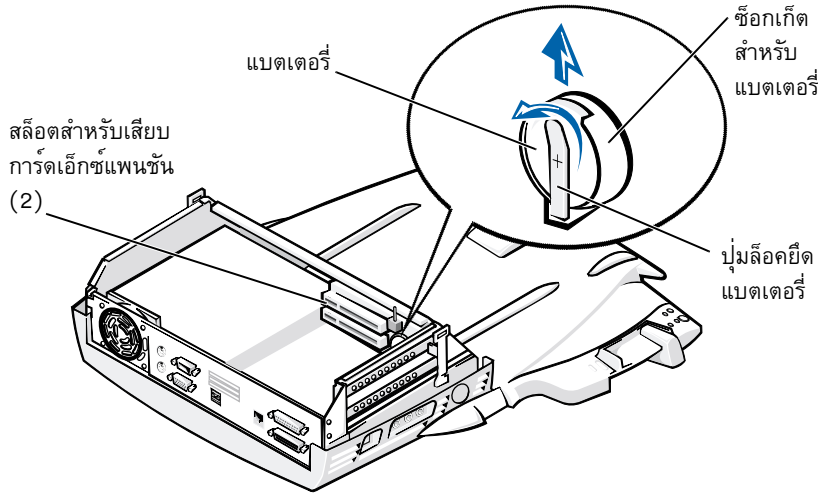
- 1 ปลดการเชื่อมต่อกับเครื่องคอมพิวเตอร์ของคุณ ตามที่อธิบายไว้ใน “การปลดเครื่องคอมพิวเตอร์ออกจากสถานีขยาย”
- 2 ปิดสวิตช์เพาเวอร์ที่อุปกรณ์สถานีขยายและถอดสายอะแดปเตอร์ AC ออก
- 3 ถอดฝาปิดด้านบนออกโดยกดปุ่มด้านข้างทั้งสองปุ่ม และหมุนฝาหันไปทางด้านหลังของสถานีขยาย (โปรดดูที่ “การถอดฝาปิดด้านบน”) เมื่อฝาตั้งตรงแล้ว ให้ปลดลิ้นบานพับและดึงฝาออก

### การถอดฝาปิดด้านบน



- 4 ถอดการ์ดที่ติดตั้งไว้ออกจากสล็อตสำหรับเสียบการ์ดเอ็กซ์แพนชัน

## การเปลี่ยนแบตเตอรี่





- 5 ค่อย ๆ ดึงปุ่มล็อกยึดแบตเตอรี่ขึ้น และถอดแบตเตอรี่ออกจากช่องเกิดสำหรับแบตเตอรี่
- 6 เริ่มใส่แบตเตอรี่ก้อนใหม่โดยหงายด้านที่มีเครื่องหมาย “+” ขึ้นด้านบน จากนั้น ใส่วัดแบตเตอรี่ลงในช่องเกิดแล้วปล่อยตัวยึดแบตเตอรี่

ห้ามทิ้งแบตเตอรี่ที่เสื่อมสภาพนี้ร่วมกับขยะอื่น ๆ ในบ้าน โปรดติดต่อหน่วยงานกำจัดขยะในพื้นที่ที่คุณอยู่เพื่อขอทราบที่อยู่ของแหล่งทิ้งแบตเตอรี่ที่ใกล้ที่สุด

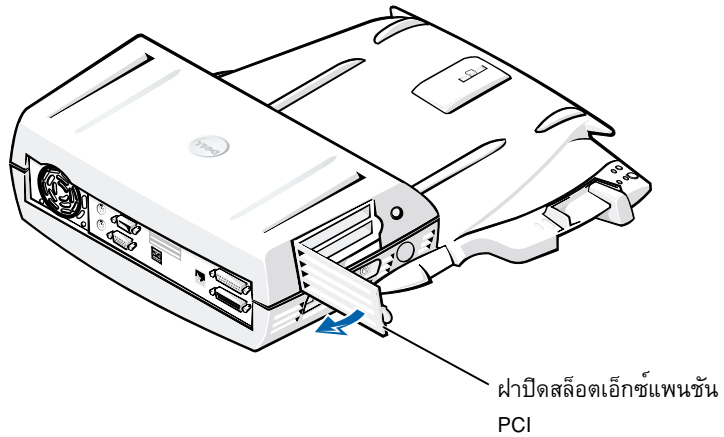
## การถอดและการติดตั้งการ์ดเอ็กซ์แพนชันแบบ PCI

ในการใส่การ์ดเอ็กซ์แพนชัน PCI ลงในอุปกรณ์สถานีขยาย ให้ปฏิบัติตามขั้นตอนดังต่อไปนี้

-  **หมายเหตุ:** ติดตั้งการ์ดเอ็กซ์แพนชัน PCI แบบ 3.3 หรือ 5 โวลต์ (V) ที่ยาวไม่เกิน 10 นิ้ว (25.4 เซนติเมตร [ซม.]) ในสล็อตบนสุด และติดตั้งการ์ดเอ็กซ์แพนชัน PCI แบบ 3.3 หรือ 5 โวลต์ (V) ที่ยาวไม่เกิน 6.9 นิ้ว (15.5 ซม.) ในสล็อตล่าง
-  **ข้อสังเกต:** ห้ามสัมผัสหรือจับวัตถุใดที่อยู่ในอุปกรณ์สถานีขยาย นอกจากที่ระบุไว้ในขั้นตอนต่อไปนี หากสัมผัสวัตถุใดที่อยู่ในอุปกรณ์สถานีขยาย อาจทำให้อุปกรณ์ชำรุด และถือว่าการรับประกันเป็นโมฆะ

- 1 บันทึกไฟล์ทั้งหมด ปิด และออกจากโปรแกรมแอปพลิเคชันทั้งหมด รวมทั้งออกจากระบบปฏิบัติการ
- 2 ปิดเครื่องคอมพิวเตอร์
- 3 นำจอภาพออกจากฐานวางจอภาพ ถอดฐานวางจอภาพออกจากอุปกรณ์สถานีขยาย
- 4 ปลดคอมพิวเตอร์ออกจากสถานีขยาย และปลดล๊อคคานสำหรับนำออก/ล๊อค
- 5 ถอดสายเคเบิลทั้งหมด—รวมถึงสายเคเบิลอะแดปเตอร์ AC—ออกจากอุปกรณ์สถานีขยาย ตรวจสอบว่าคานสำหรับนำออก/ล๊อคไม่อยู่ในตำแหน่งหลัง/ล๊อค
- 6 กดที่สลับของฝาปิดสล็อตเอ็กซ์แพนชัน PCI และถอดออก โปรดดูที่รูปต่อไปนี้

### ฝาปิดสล็อตเอ็กซ์แพนชัน PCI และช่องเสียบการ์ดเอ็กซ์แพนชัน PCI



- 7 ถอดฝาครอบด้านบน โดยการกดปุ่มด้านข้างทั้งสอง และหมุนฝาครอบไปทางด้านหลัง อุปกรณ์สถานีขยาย เมื่อหมุนฝาครอบไปด้านหลังแล้ว ให้ปลดล๊อคบานพับออกจากอุปกรณ์สถานีขยาย และนำฝาครอบออกให้พ้นจากตัวเครื่อง

โปรดดูที่รูป “การถอดฝาปิดด้านบน”

**8** ถอดสกรูที่ขึ้นโครงยึดที่วางอยู่ออก และเก็บสกรูไว้เพื่อใช้ในโอกาสต่อไป

ถอดโครงยึดที่วางออก หากติดตั้งการ์ด PCI อยู่ ให้ถอดการ์ดนี้ออกโดยการจับการ์ดที่มุมด้านนอก หลังจากนั้นให้ค่อย ๆ ดึงการ์ดออกจากช่องเสียบ

**9** ติดตั้งการ์ดเอ็กซ์แพนชัน PCI

**a** ใส่ที่เสียบส่วนขอบของการ์ดเข้ากับช่องเสียบการ์ดเอ็กซ์แพนชัน

**b** ค่อย ๆ เลื่อนการ์ดไปยังด้านซ้ายและขวา จนกระทั่งเข้าไปในช่องเสียบจนหมด

**10** ใส่สกรูใหม่อีกครั้งในโครงยึดการ์ด PCI เพื่อยึดการ์ด PCI

**11** ใส่ฝาปิดด้านบนโดยเกี่ยวลิ้นบานพับก่อน และค่อย ๆ วางด้านหน้าของฝาปิดให้เข้าที่ ฝาปิดด้านบนจะปิดสนิทเมื่อคุณได้ยินเสียงคลิกขณะที่ปุ่มด้านข้างเข้าที่

**12** ค่อยๆ ถอดสายเคเบิล—รวมถึงสายเคเบิลอะแดปเตอร์ AC—ใหม่อีกครั้ง ตามที่คุณได้ถอดออกมาในขั้นตอน 5

**13** ต่อคอมพิวเตอร์เข้ากับสถานีขยาย

**14** เปลี่ยนฐานวางจอภาพของอุปกรณ์สถานีขยาย และจอภาพของฐานวางจอภาพ

**15** เปิดคอมพิวเตอร์

**16** ติดตั้งไดรเวอร์สำหรับการ์ดแบบ PCI

หาก Dell ให้การ์ดเน็ตเวิร์กอะแดปเตอร์ PCI แบบโทเก็นริง 16/4 มาพร้อมกับอุปกรณ์สถานีขยายจะมีซีดีที่มีรายละเอียดเกี่ยวกับไดรเวอร์และคำแนะนำเกี่ยวกับการติดตั้งมาให้ด้วย



**หมายเหตุ:** หากคุณติดตั้งไดรเวอร์ของเน็ตเวิร์กสำหรับการ์ดเน็ตเวิร์กอะแดปเตอร์ PCI แบบโทเก็นริง 16/4 ให้ต่อคอมพิวเตอร์เข้ากับเน็ตเวิร์กก่อนที่จะติดตั้งไดรเวอร์ คุณต้องแจ้งให้ผู้บริหารระบบเน็ตเวิร์กทราบก่อนที่จะต่ออุปกรณ์สถานีขยายกับระบบเน็ตเวิร์ก

หากคุณใช้การ์ด PCI ซึ่งไม่ได้จัดจำหน่ายโดย Dell ให้ปฏิบัติตามคำแนะนำในการใช้การ์ดนั้นตามบริษัทผู้ผลิตที่จัดจำหน่าย




**หมายเหตุ:** Dell ได้ทำการทดสอบการใช้การ์ดเน็ตเวิร์กอะแดปเตอร์ PCI แบบโทเก็นริง 16/4 ซึ่งได้ติดตั้งให้เพื่อใช้กับสถานีขยาย C/Dock II แม้ว่า คุณจะติดตั้งการ์ดเอ็กซ์แพนชัน PCI ได้ แต่ Dell จะไม่รับประกันการทำงาน

## การใช้ช่องใส่ไดรฟ์ของ C/Dock II

คุณอาจใช้อุปกรณ์เก็บข้อมูลจากคอมพิวเตอร์ เช่น ฟลอปปีไดรฟ์หรือไดรฟ์ CD ในช่องใส่ไดรฟ์ของสถานีขยาย C/Dock II

- ➡ **ข้อสังเกต:** เพื่อหลีกเลี่ยงการทำอุปกรณ์สถานีขยายหรืออุปกรณ์เก็บข้อมูลเสียหาย ห้ามติดตั้งอุปกรณ์ใด ๆ ลงในช่องใส่ไดรฟ์ของอุปกรณ์สถานีขยาย ซึ่งตามปกติคุณไม่ได้ใช้งานในคอมพิวเตอร์
- ➡ **ข้อสังเกต:** เพื่อป้องกันไม่ให้อุปกรณ์สถานีขยายชำรุดเสียหาย ห้ามติดตั้งโมดูลสำหรับใช้ขณะเดินทาง หรือแบตเตอรี่ลงในช่องใส่ไดรฟ์อุปกรณ์สถานีขยาย จากคอมพิวเตอร์ Dell รุ่น Latitude

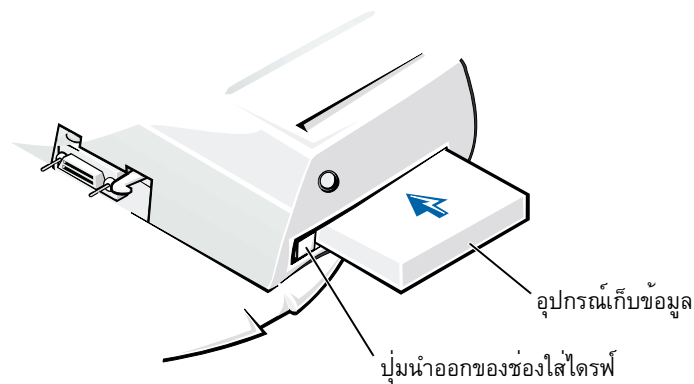
สำหรับการติดตั้งอุปกรณ์เก็บข้อมูลของคอมพิวเตอร์ในช่องใส่ไดรฟ์ของอุปกรณ์สถานีขยาย ให้ทำตามขั้นตอนต่อไปนี้

 **หมายเหตุ:** คานสำหรับนำออก/ล็อก จะต้องอยู่ในตำแหน่งปลดล็อกก่อน คุณจึงจะสามารถติดตั้งอุปกรณ์ในช่องใส่ไดรฟ์

1. บันทึกไฟล์ทั้งหมด ปิด และออกจากโปรแกรมแอปพลิเคชันทั้งหมด รวมทั้งออกจากระบบปฏิบัติการ
2. ปิดเครื่องคอมพิวเตอร์
3. ถอดอุปกรณ์เก็บข้อมูลในช่องใส่ไดรฟ์ของอุปกรณ์สถานีขยายออก

กดปุ่มนำออกของช่องใส่ไดรฟ์ (โปรดดู “การติดตั้งอุปกรณ์เก็บข้อมูลในช่องใส่ไดรฟ์”) หลังจากที่อุปกรณ์เลื่อนออกมาจากช่องใส่ไดรฟ์แล้ว คอย ๆ ดึงส่วนที่เหลือออก

### การติดตั้งอุปกรณ์เก็บข้อมูลในช่องใส่ไดรฟ์



4. ติดตั้งอุปกรณ์เก็บข้อมูลที่ต้องการลงในช่องใส่ไดรฟ์ของอุปกรณ์สถานีขยาย (โปรดดูที่รูป “การติดตั้งอุปกรณ์เก็บข้อมูลในช่องใส่ไดรฟ์”)

5. กดรูปลงไปให้แน่น

หากคุณใส่อุปกรณ์ถูกต้อง คุณควรได้ยินเสียงคลิก

หากคุณวางตำแหน่งอุปกรณ์ไม่ถูกต้อง จะทำให้อุปกรณ์นั้นวางอยู่อย่างหลวม ๆ ในช่องใส่ไดรฟ์ ให้วางตำแหน่งอุปกรณ์นั้นใหม่อีกครั้ง

6. เปิดคอมพิวเตอร์

## การติดตั้งอุปกรณ์เก็บข้อมูลสำหรับระบบปฏิบัติการวินโดวส์เอ็นที 4.0

### โดยใช้ซอฟต์แวร์ Softex Docking Services

วินโดวส์เอ็นทีที่มีซอฟต์แวร์ Softex Docking services จะช่วยให้คุณสามารถถอดเปลี่ยนอุปกรณ์ในช่องใส่ไดรฟ์ได้ในขณะที่เปิดเครื่องอยู่ โปรดดูข้อมูลเพิ่มเติมที่ “การต่อสถานีขยายกับวินโดวส์เอ็นที และกับซอฟต์แวร์ Softex Docking Services” และ คู่มือการใช้งานซอฟต์แวร์ Softex Docking Services ได้ที่ <http://support.dell.com>

## การรักษาความปลอดภัยของสถานีขยาย C/Dock

### คุณสมบัติด้านความปลอดภัย

อุปกรณ์สถานีขยายมีคุณสมบัติในการรักษาความปลอดภัยดังนี้

- คานสำหรับนำออก/ลิ้นจะช่วยให้คุณสามารถยึดและนำคอมพิวเตอร์ออกได้ ตำแหน่งคานหลังจะเป็นการยึดคอมพิวเตอร์เข้ากับสถานีขยาย C/Dock II ตำแหน่งตรงกลางช่วยให้คุณสามารถใส่อุปกรณ์สถานีขยายได้โดยไม่ต้องรักษาความปลอดภัย ส่วนตำแหน่งคานหน้าใช้ในการปลดเครื่องคอมพิวเตอร์ออกจากอุปกรณ์สถานีขยาย ดังนั้นสำหรับนำออก/ลิ้นไปคานหลังเพื่อไขกุญแจล็อกและสล็อกนิรภัย
- สลักสปริงที่คานหน้าของฐานซึ่งจะเสียบเข้าไปในสล็อกที่ด้านล่างของคอมพิวเตอร์ จะยึดคอมพิวเตอร์เข้ากับฐานควบคุมการเชื่อมต่อ สลักสำหรับรักษาความปลอดภัยจะมีในคอมพิวเตอร์แบบพกพาของ Dell บางรุ่นเท่านั้น
- ฝาปิดด้านบนซึ่งจะป้องกันการถอดการ์ด PCI
- ปุ่มนำออกของช่องใส่ไดรฟ์ซึ่งสามารถล็อกได้จะป้องกันการถอดช่องใส่ไดรฟ์
- สลักยึดที่ไม่สามารถเคลื่อนย้ายได้ สำหรับป้องกันการเคลื่อนย้ายคอมพิวเตอร์โดยไม่ได้รับอนุญาต

## การรักษาความปลอดภัยของสถานีขยาย C/Dock II

การยึดอุปกรณ์สถานีขยาย ทำได้ด้วยวิธีใดวิธีหนึ่งต่อไปนี้

- ให้ใช้กุญแจล็อกเท่านั้น หรือใช้กุญแจล็อกและสายเคเบิลนิรภัยกับสล็อตสำหรับกุญแจล็อกที่อุปกรณ์สถานีขยาย (โปรดดูรูป “ฐานควบคุมการเชื่อมต่อและไฟแสดงสถานะ”)

กุญแจล็อกจะกีดขวางคานสำหรับนำออก จึงทำให้การดึงเครื่องคอมพิวเตอร์แยกออกจากอุปกรณ์สถานีขยายทำได้ยาก

การใช้สายเคเบิลสำหรับรักษาความปลอดภัยคล้องกับวัตถุที่เคลื่อนที่ไม่ได้ และใช้ร่วมกับกุญแจล็อกจะช่วยป้องกันการเคลื่อนย้ายคอมพิวเตอร์และสถานีขยาย C/Dock II โดยไม่ได้รับอนุญาต

- ติดตั้งอุปกรณ์ป้องกันขโมยที่มีขายตามท้องตลาดทั่วไปเข้ากับสล็อตนิรภัยของอุปกรณ์สถานีขยาย (โปรดดูรูป “ฐานควบคุมการเชื่อมต่อและไฟแสดงสถานะ”)

โดยทั่วไปแล้ว อุปกรณ์ป้องกันขโมยจะประกอบด้วยสายเกลียวโลหะพร้อมกับอุปกรณ์การล็อกและกุญแจ Dell ขอแนะนำให้คุณใช้ล็อกของ Kensington สำหรับคำแนะนำเกี่ยวกับการติดตั้งอุปกรณ์ป้องกันขโมยเหล่านี้ โปรดอ่านเอกสารที่มาพร้อมกับอุปกรณ์

## โปรแกรมการวินิจฉัยของ Dell

โปรแกรมการวินิจฉัยของ Dell ซึ่งให้มาพร้อมกับคอมพิวเตอร์ Dell รุ่น Latitude จะมีการทดสอบซึ่งช่วยในการแก้ปัญหาคอนโทรลเลอร์ในอุปกรณ์สถานีขยาย

การทดสอบย่อยในกลุ่มการทดสอบ **Network Interface** ของโปรแกรมการวินิจฉัยของ Dell จะตรวจสอบการทำงานเบื้องต้นของคอนโทรลเลอร์เน็ตเวิร์กในอุปกรณ์สถานีขยาย ทดสอบการทำงานภายในของคอนโทรลเลอร์ รวมทั้งการอ่านและบันทึกไปยังรีจิสเตอร์ ตลอดจนความสามารถในการส่งและรับข้อมูลภายใน (ลูปแบ็ค)

การทดสอบย่อยในกลุ่มการทดสอบ **Serial/Infrared Ports** จะตรวจสอบอินเทอร์เฟซพร้อมทั้งอุปกรณ์ภายนอกของอุปกรณ์สถานีขยาย (เช่น เมาส์หรือเครื่องพิมพ์แบบอนุกรม) อย่างไรก็ตาม การทดสอบย่อยในกลุ่มการทดสอบนี้ไม่ได้มีวัตถุประสงค์ที่จะใช้เป็นโปรแกรมการทดสอบการวินิจฉัยอุปกรณ์ภายนอกแต่อย่างใด

การทดสอบย่อยในกลุ่มการทดสอบ **USB** จะตรวจสอบอินเทอร์เฟซและอุปกรณ์ภายนอกของอุปกรณ์สถานีขยาย (เช่น เมาส์) อย่างไรก็ตาม การทดสอบย่อยในกลุ่มการทดสอบนี้ไม่ได้มีวัตถุประสงค์ที่จะใช้เป็นโปรแกรมการทดสอบการวินิจฉัยอุปกรณ์ภายนอกแต่อย่างใด

โปรดดูคำแนะนำในการใช้โปรแกรมการวินิจฉัยของ Dell แบบสมบูรณ์ได้ที่ *คู่มือการใช้คอมพิวเตอร์ของคุณ*



# รายละเอียดทางด้านเทคนิค

## รายละเอียดทางด้านเทคนิค

### ลักษณะภายนอก

#### ความสูง:

มีขาตั้งจอภาพ 10.9 ซม. (4.3 นิ้ว)

สแตนด์คอโลน 10.9 ซม. (4.3 นิ้ว)

#### ความลึก:

มีขาตั้งจอภาพ 50.0 ซม. (19.7 นิ้ว)

สแตนด์คอโลน 47.0 ซม. (18.5 นิ้ว)

#### ความกว้าง:

มีขาตั้งจอภาพ 43.5 ซม. (17.1 นิ้ว)

สแตนด์คอโลน 42.0 ซม. (16.5 นิ้ว)

#### น้ำหนัก:

มีขาตั้งจอภาพ 5.5 กก. (12.0 ปอนด์)

สแตนด์คอโลน 4.1 กก. (9.0 ปอนด์)

### พลังงาน

#### อินพุตของอะแดปเตอร์ AC:

แรงดันไฟฟ้า 100–240 VAC, 50–60 Hz

กระแสไฟฟ้า 1.5 A

#### อินพุตของสถานีขยาย C/Dock II:

แรงดันไฟฟ้า ต้องการไฟฟ้ากระแสตรง 20 โวลต์จากอะแดปเตอร์ AC

กระแสไฟฟ้า 3.5 A

## รายละเอียดทางด้านเทคนิค

<b>I/O</b>	
แบบอนุกรม (DTE)	เข้ากันได้กับมาตรฐาน 16550 ช่องเสียบบัฟเฟอร์ 16 ไบต์
แบบขนาน	ช่องเสียบแบบทิศทางเดียว สองทิศทาง หรือ ECP
PS/2	ช่องเสียบที่สนับสนุน mini-DIN 2 ช่อง
พอร์ต USB	ช่องเสียบชนิด USB 2 ช่อง
อินฟราเรด	พอร์ตอินฟราเรดที่ตรงตาม IrDA Standards 1.1 (Fast IR) และ 1.0
สายสัญญาณเสียงออก	แจ็คสัญญาณไมโครโฟนเข้า แจ็คสัญญาณเข้า/เสียงเข้า (สำหรับอุปกรณ์บันทึก/เล่นเพลง) แจ็คสัญญาณเสียงออก (สำหรับหูฟัง)
SCSI	Ultra SCSI, 50 ขา, ช่องเสียบ D ขนาดเล็ก
การแสดงผล	ช่องเสียบ 1 ช่อง
เน็ตเวิร์ก	ช่องเสียบ RJ45 1 ช่อง
สถานีขยาย (ใช้ต่อกับคอมพิวเตอร์)	ช่องเสียบ 1 ช่อง
<b>คอนโทรลเลอร์เน็ตเวิร์กอีเธอร์เน็ต</b>	
ชุดชิป	3Com® 3C920; 10/100 BASE-TX (ตรงตามมาตรฐาน PC99)
ความกว้างของบัสข้อมูล	โฮสต์บัสอินเตอร์เฟซ 32 บิตชนิด PCI
IRQ	IRQ10
<b>คอนโทรลเลอร์ SCSI</b>	
ชุดชิป	Adaptec AIDC 7880C
ความกว้างของบัสข้อมูล	บัส SCSI 8 บิต โฮสต์บัสอินเตอร์เฟซ 32 บิตชนิด PCI
อัตราการส่งถ่ายข้อมูล	20 เมกะไบต์ต่อวินาที
IRQ	IRQ10

# คำแนะนำเพื่อความปลอดภัยและคำแนะนำของ การทำงานกับสนามแม่เหล็กไฟฟ้า (EMC): คอมพิวเตอร์แบบพกพา

ข้อมูลต่อไปนี้เป็น ความหมายของสัญลักษณ์เพิ่มเติมที่ใช้เฉพาะในคำแนะนำด้านความปลอดภัย และคำแนะนำเกี่ยวกับการทำงานกับสนามแม่เหล็กไฟฟ้า (EMC)



เสี่ยงต่อการระเบิด



เครื่องบิน



เสี่ยงต่อการเกิดไฟไหม้



คุณจะใช้คุณสมบัตินี้บนเครื่องบินไม่ได้



เสี่ยงต่อไฟฟ้าช็อต



**คำแนะนำเพื่อความปลอดภัย**

## ข้อมูลทั่วไป

- ขณะตั้งค่าสถานีขยายเพื่อการใช้งาน ให้วางอุปกรณ์นั้นบนพื้นราบ
- อย่าพยายามซ่อมสถานีขยายด้วยตนเอง หากคุณไม่ใช่ช่างเทคนิคที่ได้รับการแต่งตั้ง ให้ปฏิบัติตามคำแนะนำในการติดตั้งอย่างระมัดระวังเสมอ
- หากคุณใช้สายไฟต่อพ่วงกับอะแดปเตอร์ AC โปรดตรวจสอบว่า กระแสไฟทั้งหมดของอุปกรณ์ที่ต่อเข้ากับสายต่อพ่วงไม่ได้มีเกินกว่า กระแสไฟของสายต่อพ่วงเอง
- ห้ามสอดหรือแห้ววัตถุเข้าไปในช่องระบายอากาศหรือช่องเปิดของเครื่องคอมพิวเตอร์ เพราะอาจทำให้เกิดไฟไหม้หรือไฟฟ้าช็อตได้ เนื่องจาก อุปกรณ์ภายในเกิดการลัดวงจร





- วางอะแดปเตอร์ AC ไว้ในบริเวณที่มีอากาศถ่ายเท เช่น บนโต๊ะ หรือบนพื้น เมื่อคุณไขสายไฟให้กับคอมพิวเตอร์หรือชาร์จแบตเตอรี่ ห้ามนำกระดาษหรือสิ่งอื่น ๆ ที่อาจทำให้เกิดปัญหาต่อการระบายความร้อนไปคลุมบนอะแดปเตอร์ AC และอย่าไขอะแดปเตอร์ AC เมื่อยังอยู่ในกระเป๋าใส่คอมพิวเตอร์



- ห้ามใช้คอมพิวเตอร์ในสภาวะที่เปียกชื้น เช่น ในห้องน้ำ อ่าง หรือสระว่ายน้ำ หรือห้องไอน้ำที่เปียกชื้น



- เพื่อป้องกันอันตรายจากการเกิดไฟฟ้าช็อต ห้ามต่อ หรือถอดสายเคเบิลใด ๆ หรือทำการซ่อม หรือเปลี่ยนค่าคอนพิเกอเรชันของผลิตภัณฑ์นี้ระหว่างที่เกิดพายุฝนฟ้าคะนอง ห้ามใช้เครื่องคอมพิวเตอร์ในระหว่างเกิดพายุฝนฟ้าคะนอง นอกจากว่าได้อถอดสายเคเบิลทั้งหมดออกแล้ว และเครื่องคอมพิวเตอร์ทำงานโดยใช้พลังงานจากแบตเตอรี่
- ให้ใช้เฉพาะอะแดปเตอร์ AC และแบตเตอรี่ ซึ่งผ่านการอนุมัติให้ใช้กับอุปกรณ์สถานีขยายตามที่ระบุไว้ในเอกสารฉบับนี้ การใช้อะแดปเตอร์หรืออะแดปเตอร์ AC แบบอื่นจะเสี่ยงต่อการเกิดเพลิงไหม้หรือระเบิดได้
- ก่อนที่คุณจะทำความสะอาดสถานีขยาย ให้ปิดเครื่องและดึงอะแดปเตอร์ AC ออกจากเต้าเสียบไฟ ใช้ผ้าชุบน้ำเช็ดทำความสะอาดสถานีขยาย ห้ามใช้ของเหลวหรือน้ำยาทำความสะอาดอื่น ๆ เนื่องจากอาจทำให้เกิดไฟฟ้าได้



## สายไฟ (คำแนะนำเพื่อความปลอดภัย)



- ใช้อะแดปเตอร์ AC ที่ Dell แนะนำให้ใช้กับสถานีขยายเท่านั้น การใช้ อะแดปเตอร์ AC แบบอื่นอาจทำให้เกิดไฟไหม้หรือระเบิดได้
- ก่อนที่คุณจะเชื่อมต่อสถานีขยายเข้ากับเต้าเสียบไฟ ให้ตรวจสอบแรงดันไฟฟ้าของอะแดปเตอร์ AC เพื่อตรวจสอบว่าแรงดันไฟฟ้าและความถี่ ที่ต้องใช้ตรงกับแหล่งจ่ายไฟหรือไม่
- ในการดึงสายไฟออกจากคอมพิวเตอร์ ให้ปิดคอมพิวเตอร์ก่อน แล้วถอดสายไฟของอะแดปเตอร์ AC ออกจากเต้าเสียบไฟ



- ในการป้องกันไฟฟ้าช็อต ให้คุณเสียบอะแดปเตอร์ AC และสายเคเบิลของอุปกรณ์ต่อพ่วงเข้ากับแหล่งจ่ายไฟที่มีการต่อสายดินไว้อย่างถูกต้องแล้วเท่านั้น สายไฟเหล่านี้จะเป็นลักษณะแบบปลั๊กสามขา เพื่อให้มีการต่อลงกราวด์ได้ ห้ามใช้อะแดปเตอร์สำหรับขาเสียบของปลั๊ก หรือถอดขาของสายกราวด์ออกจากปลั๊กไฟ หากคุณใช้สายไฟต่อพ่วง ให้ใช้ประเภทสายที่เหมาะสม ไม่ว่าจะเป็นแบบสองขาหรือสามขาเพื่อให้ตรงกับสายไฟของอะแดปเตอร์ AC
- คุณต้องแน่ใจว่าไม่มีสิ่งใดวางทับอยู่บนสายไฟของอะแดปเตอร์ AC และสายไฟไม่วางกะจะขวางทางจนอาจทำให้สะดุดหรือเหยียบโดนได้



- หากคุณใช้แถบปลั๊กไฟที่มีหลายเต้าเสียบ ให้ใช้ความระมัดระวังเมื่อเสียบสายเคเบิลของอะแดปเตอร์ AC ที่แถบปลั๊กไฟ แถบปลั๊กไฟบางแถบอาจให้คุณเสียบปลั๊กเข้าไปได้แม้ว่าการเสียบนั้นจะไม่ถูกต้อง การเสียบปลั๊กไฟอย่างไม่ถูกต้องอาจส่งผลให้เกิดความเสียหายต่อเครื่องคอมพิวเตอร์อย่างถาวร อย่างเช่นเสี่ยงต่อการเกิดไฟฟ้าช็อตและ/หรือไฟไหม้ โปรดตรวจสอบว่าขาที่ต่อลงกราวด์ของปลั๊กเสียบไฟได้ต่อกับหน้าสัมผัสกราวด์ของแถบปลั๊กไฟ



## การทิ้งแบตเตอรี่

อุปกรณ์สถานีขยายของคุณใช้แบตเตอรี่ลิเธียมไอออน แบตเตอรี่ลิเธียมไอออนเป็นแบตเตอรี่ที่ใช้เวลานานและเหมาะสมที่สุด เนื่องจากว่าคุณไม่จำเป็นต้องเปลี่ยนแบตเตอรี่ก่อนใหม่ อย่างไรก็ตาม หากคุณจำเป็นต้องเปลี่ยน โปรดดูที่หัวข้อเกี่ยวกับการเปลี่ยนแบตเตอรี่ได้ในเอกสารคอมพิวเตอร์ Dell

ห้ามทิ้งแบตเตอรี่ร่วมกับขยะประเภทอื่น ๆ ในบ้าน โปรดติดต่อหน่วยงานกำจัดขยะในพื้นที่ที่คุณอยู่เพื่อขอทราบที่อยู่ของแหล่งทิ้งแบตเตอรี่ที่ใกล้ที่สุด

## ประกาศเกี่ยวกับข้อบังคับต่าง ๆ

สัญญาณรบกวนจากคลื่นแม่เหล็กไฟฟ้า (EMI) คือ สัญญาณหรือการแผ่รังสีใด ๆ ไม่ว่าจะเป็นการแผ่รังสีไปในพื้นที่ว่าง หรือการส่งไปตามตัวนำสัญญาณหรือพลังงาน ซึ่งจะส่งผลเสียต่อการทำงานของทิศทางการส่งสัญญาณวิทยุหรือบริการด้านความปลอดภัยอื่น ๆ หรือทำให้คุณภาพของสัญญาณการสื่อสารวิทยุไม่ดี ขาดตอน หรือมีความผิดพลาดซ้ำ ๆ เกิดขึ้น บริการด้านการสื่อสารโดยวิทยุ ประกอบด้วยสถานีวิทยุ AM/FM ในเชิงพาณิชย์ โทรทัศน์ บริการโทรศัพท์มือถือ เวิลด์ไวด์ระบบการควบคุมอากาศสัญจร เพจเจอร์ และบริการการสื่อสารส่วนบุคคล (PCS) เช่นเดียวกับอุปกรณ์แผ่รังสีชนิดอื่น ๆ ไม่ว่าจะเป็นอุปกรณ์ดิจิทัล รวมทั้งคอมพิวเตอร์ บริการเหล่านี้จะส่งผลต่อสภาพแวดล้อมด้านคลื่นแม่เหล็กไฟฟ้า

การทำงานกับสนามแม่เหล็กไฟฟ้า (EMC) คือ ความสามารถของชิ้นส่วนหรืออุปกรณ์อิเล็กทรอนิกส์ที่ยังทำงานได้เป็นอย่างดีในสภาวะแวดล้อมทางอิเล็กทรอนิกส์ แม้ว่าเครื่องคอมพิวเตอร์เครื่องนี้จะได้รับการออกแบบให้สามารถทำงานตามมาตรฐาน EMI ได้เป็นอย่างดี ทางบริษัทไม่ขอรับประกันว่าจะไม่เกิดสัญญาณรบกวนใด ๆ ในระหว่างการติดตั้งอย่างใดอย่างหนึ่ง ในขณะที่อุปกรณ์นี้ส่งผลให้เกิดสัญญาณรบกวนขึ้นกับบริการการสื่อสารทางสัญญาณวิทยุ ซึ่งสามารถตรวจสอบได้โดยการเปิดและปิดเครื่อง คุณอาจทดลองแก้ปัญหาของสัญญาณรบกวนนี้ได้โดยวิธีการต่าง ๆ ดังต่อไปนี้

- เปลี่ยนทิศทางของเสาอากาศรับสัญญาณ
- เปลี่ยนตำแหน่งของคอมพิวเตอร์ โดยเทียบกับอุปกรณ์รับสัญญาณ
- เคลื่อนย้ายคอมพิวเตอร์ออกจากอุปกรณ์รับสัญญาณ
- เสียบปลั๊กคอมพิวเตอร์กับเต้าเสียบอื่น เพื่อให้คอมพิวเตอร์และอุปกรณ์รับสัญญาณใช้วงจรไฟฟ้าต่างกัน

หากจำเป็น โปรดขอคำแนะนำเพิ่มเติมจากตัวแทนฝ่ายเทคนิคของ Dell หรือช่างเทคนิควิทยุ/โทรทัศน์ที่มีประสบการณ์

คอมพิวเตอร์ Dell ได้รับการออกแบบ ทดสอบ และจัดประเภทการทำงานตามสภาพแวดล้อมด้านคลื่นแม่เหล็กไฟฟ้า โดยที่การจำแนกสภาพแวดล้อมด้านคลื่นแม่เหล็กไฟฟ้าจะเป็นไปตามข้อกำหนดต่อไปนี้

- คลาส A มักจะใช้สำหรับสภาวะการทำงานทางธุรกิจหรืออุตสาหกรรม
- คลาส B มักจะใช้สำหรับสภาวะการทำงานในที่อยู่อาศัย

อุปกรณ์เกี่ยวกับข้อมูลด้านเทคโนโลยีสารสนเทศ (ITE) ประกอบด้วยอุปกรณ์ต่าง ๆ, การ์ดอิเล็กทรอนิกส์, เครื่องพิมพ์, อุปกรณ์อินพุต/เอาต์พุต (I/O) จอภาพ และอื่น ๆ ซึ่งมีการติดตั้งในเครื่องหรือเชื่อมต่อเข้ากับเครื่องคอมพิวเตอร์ ซึ่งควรจะต้องตรงตามการจัดประเภทของสภาพแวดล้อมด้านคลื่นแม่เหล็กไฟฟ้าของระบบคอมพิวเตอร์

**ประกาศเกี่ยวกับสายเคเบิลสัญญาณแบบหุ้ม: ให้ใช้สายไฟที่มีฉนวนหุ้มเท่านั้นในการเชื่อมต่ออุปกรณ์ต่อพ่วงเข้ากับอุปกรณ์ของ Dell เพื่อลดสัญญาณรบกวนต่อการติดต่อสื่อสารทางวิทยุที่อาจเกิดขึ้นได้ การใช้สายที่มีฉนวนหุ้มจะช่วยให้คุณมั่นใจได้ว่าคุณยังสามารถทำงานในสภาวะที่จำแนกไว้ตามประเภทของ EMC ได้ คุณสามารถเลือกซื้อสายเคเบิลสำหรับเครื่องพิมพ์ที่ต่อแบบขนานได้จาก Dell และคุณสามารถสั่งซื้อจากเว็ลด์ไวด์เว็บของ Dell ที่ <http://accessories.us.dell.com/> หากต้องการ**

